



PoolCop Genesis

Installer and User Manual



Date: February 13th, 2024

Manual Version: GN44MANNA

Firmware Version: V44

Product Versions: PoolCop Genesis

NSF/ANSI/CAN Standard 50



Certified to
NSF/ANSI Standard 50

Change Summary

August 24 th , 2020	Original Issue, Certification NSF/ANSI/CAN Standard 50.
January 22 th , 2021	Update FAC, Decals.
June 2 nd , 2021	Suppressed pH/ORP accuracy. Available in NSF ARF applicable document.
July 01 st , July	Pentair SuperFlo VS2
July 28 th , 2021	Flow Cell Cap, Flow switch type
December 2 nd , 2021,	Removed Flow Cell Cap, Corrections in Technical specifications
December 7 th , 2021	Correction Intellicomm II wiring diagram
April 26 th , 2022	Water level setpoint
July 27 th , 2023	Proof reading
August 8 th , 2023	Flow Cell cap installation
December 6 th , 2023	Pin Code, EM Configuration – Water level reduction Backwashes launched on low flow rate

Contents

Section 1 Introduction	6
1.1 Foreword	6
1.2 Notes, Cautions, Warnings and Definitions	6
1.3 Important Information, Safety Notices and Precautions	7
1.4 Information on disposal	9
1.5 Useful Conversions	10
Section 2 Warranty, Records	11
2.1 PoolCOP Genesis Warranty Registration Card	11
2.2 PoolCOP Genesis Warranty	12
2.3 PoolCOP Genesis Configuration Card	Erreur ! Signet non défini.
2.4 Routine Maintenance	13
Section 3 Installation Guide	17
3.1 General	18
3.2 Pre-Installation Preparation and Inspection	18
3.3 Installing the DCCU	20
3.4 Installing Standard Features	28
3.5 Installing Water Treatment	36
3.6 Installing Options	44
3.7 Completing the Installation	51
3.8 Commissioning PoolCOP	51
3.9 Post Installation Inspection, Documentation, Procedures	52
Section 4 User Guide	53
4.1 PoolCOP Configuration	53
4.2 Keypad and Display Layout	53
4.3 Menus	54
4.4 Using and Settings	61
4.5 Troubleshooting and Alerts	73
Section 5 Programming Guide	75
5.1 Prior to Commencing Programming	76
5.2 Filtration Mode Menu	77
5.3 Auxiliaries Menu	79
5.4 Water and Treatment Menu	82
5.5 Maintenance	91
5.6 Configuration Menu	93
5.7 PoolCOP Cloud	110
Section 6 Internet Connection	113
6.1 Introduction	114
6.2 PoolCOP Connection to the Web	114
6.3 Server Connection and Pool Setup	114
6.4 PoolCOPilot Functions	117
6.5 Troubleshooting	118
Section 7 Spare Parts and Diagrams	119
7.1 GN3100 Data Control Connection Unit DCCU Genesis	119
7.2 SO491x pH+ORP SE Sensor Kit	120
7.3 GN4224 Kit Sensor pressure 4m cable	121
7.4 GN4211 Kit Water Temperature Sensor 4m Cable	121
7.5 Decal and Markings Location Diagrams	122
Section 8 Technical Specifications	123
8.1 CE conformity Declaration	124
8.2 UL/FCC conformity declaration	Erreur ! Signet non défini.
8.3 PoolCOP Genesis	126
8.4 Air Temperature Sensor	126
8.5 Flow Switch	126
8.6 pH+ORP Sensors	127

8.7	Free Available Chlorine Sensor	127
8.8	Water Level Control	127
8.9	XM8 Extension Module	127

Figures

Figure 1 - Serial Number Location	11
Figure 2 - DCCU.....	18
Figure 3 - Air Temperature Sensor	18
Figure 4 - Flow Switch type 1 or type 2	18
Figure 5 - Cover Opening and Cables Entries.....	21
Figure 6 - Terminals.....	21
Figure 7 - Single (or Two) Phase Pump Connection.....	23
Figure 8 - Three-Phase Pump Connection.....	23
Figure 9 - Pentair IntelliFlo VSD/VSF with IntelliComm or IntelliComm II.....	24
Figure 10 - Pentair SuperFlo VS/VS2	Erreur ! Signet non défini.
Figure 11 - Hayward EcoStar	26
Figure 12 - Hayward VSTD Series	Erreur ! Signet non défini.
Figure 13 - Zodiac FloPro VS.....	27
Figure 14 - Binary Combination	27
Figure 15 - Water Pressure Sensor.....	28
Figure 16 - Water Temperature Sensor.....	28
Figure 17 -Sensors on Threaded 3" Pipe.....	28
Figure 18 - Connecting Water Pressure and Water Temperature Sensors.....	29
Figure 19 - Air Temperature Sensor on J27	30
Figure 20 - Keypad Ribbon Cable.....	30
Figure 21 - Guide Ribbon Cable into the Enclosure	30
Figure 22 - Flow Switch.....	31
Figure 23 - PVC Saddle	31
Figure 24 - Connecting Flow Switch to Input (1)	31
Figure 25 - Flow Switch Paddle Length Adjustment.....	32
Figure 26 - Flow Switch.....	32
Figure 27 - Drill Hole Ø 20mm (¾")	32
Figure 28 - Connecting Flow Switch to Input (1)	32
Figure 29 - Auxiliary Relay Connection.....	33
Figure 30 - Single Phase 120/230VAC Auxiliary.....	33
Figure 31 - Three-Phase Auxiliary Connection.....	33
Figure 32 - Connection 24VAC Auxiliary	33
Figure 33 - Connecting Inputs in DCCU	34
Figure 34 - Connecting Inputs in XM8.....	34
Figure 35 - External Thermostat.....	35
Figure 36 - Thermostat Connection	35
Figure 37 - Suction Wand with Low Level Detection.....	35
Figure 38 - Consumables Low Level Detection Connection.....	35
Figure 39 - Water Analysis Sensor with Transport Cap	36
Figure 40 - Sensor and Housing.....	36
Figure 41 - Sensors on Threaded 3" Pipe.....	37
Figure 42 - SO4912 Spacing, Grab Ring Adjustment	38
Figure 43 - SO4913 Spacing, Grab Ring Adjustment	38
Figure 44 - Connecting pH/ORP Sensor.....	38
Figure 45 - pH Feeder Pump Connection	40
Figure 46 - Connecting Disinfection Equipment or Feeder Pump to Aux6.....	42
Figure 47 - Salt System Connection.....	43
Figure 48 - Water Line Level Sensor	44
Figure 49 - Buffer Tank Water Level Sensors	45
Figure 50 - Connecting Water Level	45
Figure 51 - Refill Valve and Fittings.....	46
Figure 52 - Cables Entries.....	47
Figure 53 - Terminals.....	47
Figure 54 - Pool Cover Connection (Control and Position Indication)	49
Figure 55 - Jetstream Connection.....	50
Figure 56 - DCCU Display and Keypad.....	53
Figure 57 - Pressure setting parameters.....	76
Figure 58 - Suction setting parameters.....	76
Figure 59 - Power Line Adaptors.....	114
Figure 60 - RJ45 Connector for Ethernet.....	114
Figure 61 - DCCU Decals and Markings.....	122

Section 1 INTRODUCTION

1.1 Foreword 6
 1.2 Notes, Cautions, Warnings and Definitions 6
 1.3 Important Information, Safety Notices and Precautions 7
 1.4 Information on disposal 9
 1.5 Useful Conversions 10

1.1 FOREWORD

We maintain a policy of continuous research and development and therefore reserve the right to make changes and improvements to this manual and any of the products described.

Any reference in this manual to “the pool owner” refers also to the owner of the product or products. The owner may appoint a representative to act on their behalf. The owner retains full and all responsibility for decisions made by and the actions of this representative.

1.2 NOTES, CAUTIONS, WARNINGS AND DEFINITIONS

Within this manual some information is highlighted in the form of notes, cautions, warnings, etc. The following definitions apply throughout:



NOTE
 A step, procedure, technique, etc. which is considered important or essential to emphasize.



CAUTION
 A step, procedure, technique, etc. which could result in damage to equipment if not carefully followed.



WARNING
 A step, procedure, or technique which could result in personal injury if not carefully followed.



Certified to NSF/ANSI Standard 50

NSF/ANSI-50
 A step, procedure, or technique required to comply with NSF/ANSI 50 where required.



Read the installation manual and all warnings in full.
 Follow all instructions.



WEAR HAND PROTECTION
 Always wear correct chemical resistant hand protection when handling chemicals.



EYE PROTECTION
 Always wear correct eye protection when handling chemicals.

May An acceptable or suggested means of accomplishment.

Should Normally used to indicate a preferred but non-mandatory method of accomplishment.

Must, will The instructions or procedures are mandatory.

As installed	The instructions or procedures depend on the specific model or version of equipment installed.
If installed	The instructions or procedures depend on whether the equipment is installed.
As required	The instructions, procedures, or requirements are mandatory depending on relevant conditions.
Verify	A planned change in an indication, annunciation, or message is observed to occur as expected. Check the state or condition prior to proceeding.

1.3 IMPORTANT INFORMATION, SAFETY NOTICES AND PRECAUTIONS



WARNING:

**Read the security instructions attentively before any use.
Instructions given below are all important for your safety.**

PoolCop is a product of superior design, engineering and manufacture and should be treated with care. The information contained in this section will help you fulfil the warranty obligations and make use of this product for many years.

Always respect all norms for electrical, hydraulic, chemical and swimming pool installation and operation. No responsibility will be accepted for installation or use of this product outside the applicable norms.

For the swimming pool to remain a place of pleasure and user-friendliness, it is necessary to take care of the safety of those who bathe and of the installation standards.

The electric connections must be carried out, according to the applicable norms, by a qualified person.



WARNING:

Keep the equipment and all associated equipment out of the reach of public and animals.



WARNING:

Inappropriate use can cause accidents, bodily injury, fire, electrocution, system failure and flooding.



CAUTION:

Keep the covers closed at all times when not interacting with the equipment to prevent inadvertent damage.



CAUTION:

Do not drop any objects into any openings of the equipment and the associated equipment as this could cause serious damage.



CAUTION:

Equipment and the associated equipment must be located in an area protected from the elements.



CAUTION:

**The equipment is splash proof but must never be exposed to water or other liquids for extended periods.
Precipitation, humidity and liquids contain minerals that will corrode electronic circuits.**



WARNING:
Equipment should not be installed near flammable gas or products.
In the event of the escape of gas or dangerous products, there is risk of fire and explosion.



WARNING:
Do not remove any of the protective covers on the equipment or the associated equipment. Touching parts inside these compartments could result in an electrical shock and/or damage to the system.



CAUTION:
Do not use harsh chemicals, solvents or detergents to clean the equipment.
Wipe with a soft cloth, slightly dampened in a mild soap-and-water solution.



WARNING:
In case of malfunction or if an anomaly occurs (such as a smell of burning from the unit), disconnect the power supply and contact a qualified technician.



CAUTION:
Use only approved replacement parts. Unauthorized parts and/or modifications could damage the entire system and will void your warranty.



CAUTION:
Verify that any auxiliary equipment is correctly installed as per the manufacturer's instructions and is compatible with the equipment and installation.



WARNING:
Risk of Electric Shock.
Connect only to a grounding type receptacle protected by a ground-fault circuit interrupter (GFI).
A dedicated GFI circuit breaker installed by a licensed electrician is recommended.



WARNING:
Installation requires a properly located GFI protected receptacle.
Never use an extension cord for electrical connections to the controller.



WARNING:
Always disconnect power before servicing.



WARNING:
Power cord should be inspected frequently.
A damaged power cord must be replaced immediately to reduce the risk of electric shock.



WARNING:
Always mount controller in a safe area not subject to damage by moving objects.
Never bury controller power cords.



WARNING:
Always disconnect power and ensure that the electrical current is shut off before servicing.



WARNING:
Never operate a controller without functional flow protection.

**WARNING:**

Any person using, adjusting, or monitoring the equipment must be at least 18 years of age and be familiar with these instructions and the contents of this manual.



Certified to
NSF/ANSI Standard 50

NSF/ANSI-50:

If the equipment is used for pH, ORP or any other treatment control, a water circulation flow detection sensor must be correctly installed and configured to comply with NSF/ANSI 50 where required.

A Flow Switch is supplied for this purpose.

**WARNING:**

Always take and record manual water chemistry readings in conformance with Health Department requirements. Although automated controllers are a great aid in maintaining healthy water quality, controllers are not a substitute for manual water testing with an accurate test kit.

**WARNING:**

Always read and become familiar with Material Safety Data Sheets (MSDS) and safe handling instructions for all chemicals used with the controller.

**CAUTION:**

The automatic controller should not be installed where it is accessible to the public.

1.4 INFORMATION ON DISPOSAL



If you wish to discard electrical and electronic equipment(EEE), please contact your dealer or supplier for further information.

1.5 USEFUL CONVERSIONS

		Temperature													
Centigrade °C	-12	-7	-1	0	4	10	16	21	27	32	38	43	49	54	60
Fahrenheit °F	10	20	30	32	40	50	60	70	80	90	100	110	120	130	130

		Pressure													
Bar	0	0.1	0.2	0.3	0.4	0.5	0.6	0.7	0.8	0.9	1.0	1.2	1.4	1.6	1.9
kPa	0	10	20	30	40	50	60	70	80	90	100	120	140	160	190
Psi	0	1.5	2.9	4.4	5.8	7.3	8.7	10.2	11.6	13.1	14.5	17.4	20.3	23.2	27.6
"Hg	0	3.0	5.9	8.9	11.8	14.8	17.7	20.7	23.6	26.6	29.5	35.4	41.3	47.3	56.1

		Volume													
m³	20	40	60	80	100	120	140	160	180	200	220	240	260		
USG	5300	10600	15800	21100	26400	31700	37000	42300	47600	52800	58100	63400	68700		

		Flow Rate													
m³/hr	2	4	6	8	10	12	14	16	18	20	24	28	32		
GPM	9	18	26	35	44	53	62	71	79	88	106	123	141		

		Flow Rate													
ml/h or l/hr	0.3ml	20ml	40ml	60ml	140ml	210ml	320ml	1l	1.5l	3l	6l	12l	24l		
GPD	9	0.13	0.25	0.38	0.89	1.33	2.03	6.34	9.51	19	38	76	152		

Section 2 WARRANTY, RECORDS

2.2	PoolCOP Genesis Warranty.....	12
2.3	PoolCOP Genesis Configuration Card	Erreur ! Signet non défini.
2.4	Routine Maintenance.....	13
2.4.1	Routine Pool Maintenance.....	13
2.4.2	PoolCOP Maintenance.....	13
2.4.3	Pool Winterization	16
2.4.4	Re-Commissioning the Equipment.....	16

2.1 POOLCOP GENESIS WARRANTY REGISTRATION CARD

<p>Review the warranty details in the product manual. Detach or scan this warranty card. Promptly complete and return this warranty registration. If information is incomplete or missing it will result in the product not being registered.</p> <p style="text-align: center;">www.poolcop.com</p>	<p>PCFR SAS</p> <p>130 Boulevard du Nord</p> <p>84160 CUCURON</p> <p>France</p> <p>contact@poolcop.com</p>
<p>Product: <input type="checkbox"/> PoolCOP Genesis</p>	
<p>Brand / Model N°:</p> <p>Serial Number:</p> <p>Purchased From:</p> <p>Date of Purchase: MM / DD / YYYY</p>	<p>Name of Installer:</p> <p>Installer's Company:</p> <p>Telephone:</p> <p>Date of Installation: MM / DD / YYYY</p>
<p>SURNAME:</p> <p>First Name:</p> <p>e-mail:</p> <p>Telephone:</p>	<p>Address:</p> <p>City / Town:</p> <p>Postal Code:</p> <p>Country:</p>
<p><input type="checkbox"/> I would like to receive product maintenance reminders.</p> <p><input type="checkbox"/> I would like to receive product information and news.</p>	
<p>Signature:</p>	<p>Date: MM / DD / YYYY</p>

The serial number is located on the left side of the Data, Control and Connection Unit (DCCU):



Figure 1 - Serial Number Location

2.2 POOLCOP GENESIS WARRANTY

Before using the product, we recommend that you carefully read the user manual in which you will find all the usual precautions.

Return the warranty registration card completed with the serial number to activate the warranty. This warranty applies only if the defective product is presented within the warranty period, accompanied by the original invoice or receipt (clearly indicating the purchase date, the model of the device and the reseller's name). PCFR reserves the right to refuse warranty service if these documents are not presented or if they are incomplete or illegible. The warranty will not apply if the model name or serial number on the product has been altered, wiped out, deleted, torn, perforated or made illegible.

The warranty is valid for 2 (two) years from the date of delivery (see Conditions). This warranty does not cover consumables or parts with limited lifespan (e.g. batteries, sensors, seals and O-Rings ...). The warranty is automatically invalidated if the customer does not notify PCFR of the latent defect or the alleged non-compliance within 20 (twenty) days from its discovery. The customer is responsible for proving the date of the discovery.

PCFR is only obliged to repair or replace, free of charge, defective or nonconforming parts, at its discretion, and without the customer being entitled to obtain damages for any cause whatsoever. Original spare parts are available from PCFR. The use of other than genuine parts voids the warranty.

Terms:

- This product is covered by a limited warranty of 2 (two) years, excluding consumables or parts with limited warranty (see below).
- The warranty start date is defined as follows
 - This is the date of commissioning, if the installer returns the warranty registration card (see §2.1).
 - Otherwise, if the registration card is not returned, the billing date of the first-level distributor to the first client will be used.
- The product warranty period will be reduced to 1 (one) year if no proof of the first annual service can be provided. The first annual service must be conducted and recorded in the maintenance book by a qualified technician or a person authorized by PoolCOP. The annual service checklist and the maintenance card are detailed in the user manual (a copy of this manual can be provided on request).
- If the product is not installed by a qualified technician or an authorized reseller, the warranty is limited to 90 days.
- PoolCOP provides no warranties (express, implied, statutory or otherwise) for the product, the product software or the software accompanying the product, regarding the accuracy of the information provided or suitability for a particular purpose.
- Consumables and parts with limited warranty:
 - The pH or pH+ORP sensor is guaranteed for 2 (two) years from date of commissioning.

The warranty does not cover:

- Defects and deterioration of products due to abnormal conditions of storage, especially in case of an accident of any kind whatsoever, will void the product warranty. The warranty applies only to products that have become the property of the buyer. It applies only to products wholly distributed by PCFR. The warranty is automatically voided should the products be used under conditions for which they were not designed. A design flaw is not a latent defect and customers of PCFR are deemed to have received all the technical information on products sold. PoolCOP does not cover damage resulting from wear requiring an adaptation or a special assembly, abnormal or not, of the product unless it was conducted under PCFR's supervision.
- Viral infections or the use of the product with software not supplied, or software incorrectly installed.
- Neglect.
- A loss of water tightness following an assembly error, installation error or a lack of attention on a sealing element or its installation (sensors, electrodes, O-Rings, hoses, clamps, etc.).
- Accidents, fire, liquids, chemicals other substances, flooding, vibrations, excessive heat, improper ventilation, power surges, excess or inadequate power supply, radiation, electrostatic discharge including lightning, other forces and external influences.
- Transportation costs and the risks associated with product replacement or repair.

Exclusions and Limitations:

PoolCOP is not responsible for the consequences of action taken in response to a displayed value. The results obtained by the product are not the responsibility of PCFR, whatever the causes and consequences. It is the user's responsibility to verify the displayed values and the proper functioning of the unit.

In the context of this warranty, the PCFR's sole obligation is to repair or replace products which meet the conditions of this warranty. PoolCOP is not responsible for any loss or damage relating to products, to service, to this warranty or any other, including:

- Loss of use of the pool.
- Financial losses.
- Price paid for the product.
- Loss of profit revenue, data, enjoyment or use of the product or associated products.
- Loss or indirect loss or accidental damage.
- Any direct or any indirect prejudice linked to the unavailability of the product for whatever duration.

2.3 ROUTINE MAINTENANCE

2.3.1 Routine Pool Maintenance

Routine basic maintenance needs to be carried out to ensure that the pool remains in good condition. This guide does not describe how to maintain pools and water treatment. Follow company procedure and manufacturer's instructions.

2.3.2 PoolCop Maintenance

Basic maintenance needs to be carried out to ensure that the equipment successfully manages the pool.

2.3.2.1 Regular Periodic Checks

- Check for Alerts: Alerts and messages are the means of communication about the state of the pool. Check regularly or at any time when in doubt about a condition.
- Check and Replenish Consumables: Ensure that consumables level is always sufficient. Consumables must be replenished timeously to ensure that optimal treatment and balance is maintained in the pool.
- Check General Condition: Check the general condition of the equipment as well as the electrics, hydraulics and all accessories.



WARNING:

Chemical consumables are hazardous substances and must be handle with extreme care and caution.

2.3.2.2 PoolCop Genesis Annual Service

The equipment requires an annual service by a qualified technician. Refer to the equipment Maintenance Card (2.3.2.4) for details and dates due. Essential service items are:

- Check water balance.
- Check pH sensor calibration every 12 months (or as required by code).
- Check for leaks.
- Check condition of the pool equipment.
- Check pool electrical safety and bonding as per local code.

2.3.2.3 PoolCop Genesis Site Visit Checklist

The following checklist will maintain equipment in good condition and optimize service calls.

Date		Firmware version	Client	Signature	
Visit	Maintenance	Category	Item	Checked	Replaced
X	X	General	Check Power and 12VDC Supply LEDs on DCCU.		
X	X		Check data: Pressure Temperature pH ORP Date and Time		
X	X		Essential pool water data: TAC pH CyA ORP		
X	X	Leaks	Start pump and check no leaks, check pressure.		
X	X		Check no leaks inside/outside equipment room.		
X	X	Pressure	Stop the pump; check the no pressure (static head). Set/adjust protection pressure accordingly.		
X	X	pH	Verify TAC >80 ppm. Stop the pump, command a manual pH reading. If not OK check/calibrate sensor.		
X	X	pH Control	Check pH feeder pump operation from the pH menu, using the "Priming" feature		
X	X	Disinfection Control	If using ORP regulation Check disinfection equipment operation from the ORP menu, using the "Priming" feature		

2.3.2.4 PoolCOP Genesis Maintenance Card

PoolCOP Genesis Maintenance Card	Date Due	Date Carried Out	By:	Notes:
First Installation	-	/ /		
1st Annual Service <input type="checkbox"/> Check pH Sensor Calibration <input type="checkbox"/> Check Leaks	/ /	/ /		
2nd Annual Service <input type="checkbox"/> Check pH Sensor Calibration <input type="checkbox"/> Check Leaks	/ /	/ /		
3rd Annual Service <input type="checkbox"/> Check pH Sensor Calibration <input type="checkbox"/> Check Leaks	/ /	/ /		
4th Annual Service <input type="checkbox"/> Check pH Sensor Calibration <input type="checkbox"/> Check Leaks	/ /	/ /		
5th Annual Service <input type="checkbox"/> Check pH Sensor Calibration <input type="checkbox"/> Check Leaks	/ /	/ /		
6th Annual Service <input type="checkbox"/> Check pH Sensor Calibration <input type="checkbox"/> Check Leaks	/ /	/ /		
7th Annual Service <input type="checkbox"/> Check pH Sensor Calibration <input type="checkbox"/> Check Leaks	/ /	/ /		
8th Annual Service <input type="checkbox"/> Check pH Sensor Calibration <input type="checkbox"/> Check Leaks	/ /	/ /		
9th Annual Service <input type="checkbox"/> Check pH Sensor Calibration <input type="checkbox"/> Check Leaks	/ /	/ /		
<p>PoolCOP Genesis is guaranteed for 2 years provided that warranty conditions are met.</p>				

2.3.3 Pool Winterization

2.3.3.1 Active Winterization



CAUTION

Active Winterization is not possible with all installations or in all areas, and less desirable in very cold areas where solid freezing is a bigger risk.

Maintaining the pool year-round avoids chemical shock treatment, the use of expensive treatment and cleaning products, and much labor. Suggested Settings:

- Commercial Pools, required filtration modes are:
 - **24/24** if the pump start/stop is controlled by the pump relay.
 - **NO PUMP** if the pump is not controlled by the pump relay.
 - See 5.2 Filtration Mode Menu if the pump is controlled by the pump relay for other modes.
- Residential Pools, recommended modes are:
 - See 5.2 Filtration Mode Menu if the pump is controlled by the pump relay for suitable modes.
 - **NO PUMP** if the pump is not controlled by the pump relay.
- Set freezing mode protection **ON** in the Pool Data menu (not applicable in NO PUMP mode).
 - Filtration will run at any time should a freezing risk be detected based on water and air temperatures (as installed).
 - See 4.4.4.5 Antifreeze Protection for details and settings.
- pH regulation will continue to function normally at all temperatures.
- Disinfection is stopped below the Disinfection Minimum Temperature as set in the Configuration/Maintenance menu.

2.3.3.2 Passive Winterization



CAUTION

Passive Winterizing is not possible with all installations or in all areas. Get the advice of a pool qualified technician on the best solution in the area and with the type of pool.

It is recommended that the equipment remains ON and electricity supply connected to keep internal circuits warm and dry.

Suggested Settings:

- The pump and all accessories (pool cleaner pump, heat pump, etc.) should be switched OFF at the appropriate circuit breaker.
- Select the filtration mode STOP.
- Purge the water circuit.
- Ensure that the water level control is stopped (Configuration/Water Level; the mode must be "Read Only")
- Purge the refill circuit.
- Remove the pH+ORP sensor and store in a location away from risk of freezing; use the sensor transport cap supplied or suitable container and ensure the end of the sensor remains moist.
- Remove the sensor holder and seal with the original plug.

2.3.4 Re-Commissioning the Equipment

When re-opening the pool after passive winterization (or out of service for a period of time) carry out the following procedure:

- Replace the pH+ORP sensor if removed.
- Perform an annual service (as per 2.3.2.2 PoolCOP Genesis Annual Service).
- Continue with the normal maintenance cycles of the pool and the equipment.

Section 3 INSTALLATION GUIDE

3.1	General	18
3.2	Pre-Installation Preparation and Inspection	18
3.3	Installing the DCCU	20
3.3.1	Mounting the DCCU	20
3.3.2	Electrical Connection	20
3.3.3	Cables Selection and Connection	21
3.3.4	Connecting a Single Speed Pump	23
3.3.5	Connecting a Variable Speed Pump	24
3.4	Installing Standard Features	28
3.4.1	Pump Pressure and Water Temperature Sensors	28
3.4.2	Air Temperature Sensor	30
3.4.3	Circulation Flow Detection Sensor	31
3.4.4	Connecting Auxiliary Relays	33
3.4.5	Connecting Inputs	34
3.5	Installing Water Treatment	36
3.5.1	General	36
3.5.2	Installing the Water Condition Sensor	36
3.5.3	pH Control	39
3.5.4	Disinfection	41
3.5.5	Free Available Chlorine Sensor	43
3.6	Installing Options	44
3.6.1	Water Level Control	44
3.6.2	Installing XM8 Extension Module	47
3.6.3	Connecting Equipment	49
3.7	Completing the Installation	51
3.8	Commissioning PoolCop	51
3.9	Post Installation Inspection, Documentation, Procedures	52
3.9.1	Post Installation Inspection	52
3.9.2	Post Installation Documentation	52
3.9.3	Post Installation Procedures	52

3.1 GENERAL

- Installation of the equipment will be done only by qualified and experienced technicians.
- Failure to correctly install the equipment according to this manual will void the warranty.
- This installation manual is intended to be used as a checklist; check the boxes next to installation steps ensuring that all steps are completed in the correct sequence.
- It is recommended that the Configuration Card be used to keep notes of settings, configuration and notes during the installation; this will facilitate easy completion of the required post installation documentation.



NOTE:

The PoolCOP is a management system, and not a repair system. Technicians must verify that the swimming pool and all equipment are in an acceptable condition prior to commencing the installation.

As the installer, if you are not satisfied with the condition of the pool or any equipment these must be repaired and tested prior to commencing the installation of the equipment.

As the installer, ensure that any repairs are only carried out with the full knowledge and consent of the pool owner.

Contact PoolCOP with any queries and for more information.

3.2 PRE-INSTALLATION PREPARATION AND INSPECTION

A PoolCOP Genesis installation has the following obligatory components:

- DCCU:** Installed on the wall, typically adjacent to the electrical junction box. The DCCU contains the electrical connections for control of all pool equipment and provides connection and power for all sensors
- An **Air Temperature Sensor** is supplied with the DCCU: optionally use the supplied sensor for freezing detection, alternatively use an external thermostat.
- A **Flow Switch** is supplied with the DCCU: if the equipment is used for pH, ORP or any other treatment control, a water circulation flow detection sensor must be correctly installed and configured to comply with NSF/ANSI 50 where required.



Figure 2 - DCCU



Figure 3 - Air Temperature Sensor



Figure 4 - Flow Switch type 1 or type 2

PoolCOP Genesis Options:

- **Water Level Control:** Water level is controlled by means of a water level sensor, a control valve and a water supply located on the equipment pad (installed in the pool water return line).
- **Water Treatment Control:**
 - **pH Control:** using dosing of pH- or pH+.
 - **Disinfection:** using ORP control, timed volumetric dosing.
- **Control of auxiliary equipment:** Up to 6 auxiliary relays allow control of other equipment (lighting, heating, cleaners, irrigation, etc.) and external water treatment equipment.
- **Drum Level Sensors** for detection of drums requiring replenishment.
- **XM8 Extension Module** adds an extra 8 inputs and 8 relays outputs.
- **PoolCOP Chlorine Sensor FAC** for reporting and alerting of Free Available Chlorine in ppm (DPD1).

Before commencing installation, the technician should confirm the following with the pool owner:

- Preferred location of DCCU.
- Preferred locations for the various water sensors.
- Preferred location of the Air Temperature Sensor.
- Water Level Control (optional):
 - Location of sensor and routing of the water level sensor wiring.
 - Routing of water supply to water level controller valve.
 - Preferred location of water shut off valve.
- Water Treatment (optional):
 - Type of pH control.
 - Type of disinfection.
 - Type of oxidation remnant, if required.
- Auxiliary equipment connected and controlled by equipment (optional).
- Remote control: Routing of RJ45 cable or Powerline Adapters or Wi-Fi Adapter details and codes.
- Pool Condition:
 - There is no debris in the pool.
 - Pool water is acceptably clean.
 - Water balance is in the acceptable range.
 - Condition of the pool's electrical system in general and the electrical box in particular.
 - Condition of the filter, and the filter media.
 - Skimmer and pump pre-filter baskets are clear of debris.
 - Pool light and other equipment is working.

While the pool pump and filtration system are running, installers must verify the following:

- The condition of the pool pump and motor.
- Leaks on the entire plumbing and filter system.
- The hydraulic coefficient of the filtration system is adequate.

When ready to commence the installation, the installer must:

- Disconnect all electrical power to the pool and systems.
- Close all valves, and if necessary, block all inlets to and outlets from the pool. This is especially important if the water level of the pool is higher than the pump and filter installation.

3.3 INSTALLING THE DCCU

3.3.1 Mounting the DCCU



CAUTION:
Use only existing predrilled holes for mounting the DCCU. Any additional holes or openings risk water entry, foreign matter penetration and damage and void the warranty.



CAUTION:
The DCCU must be mounted with the cable compression glands and cable entries at the bottom. Incorrect mounting risks water entry, foreign matter penetration and damage and void the warranty.



CAUTION:
All unused compression glands must be blocked with the supplied red blanking plugs. If an RJ45 cable is not fitted, the connector must be blocked with the supplied cap.



CAUTION:
The ingress protection rating is IP54. Ensure that the unit is installed in a location that complies with the rating limitations.



CAUTION:
Do not pinch the keypad ribbon cable whenever closing the DCCU face plate cover. Use a finger or flat tool to guide the ribbon cable into the DCCU enclosure.

- The DCCU must be mounted:
 - In proximity to the filter/s and pump/s if controlled.
 - The following sensor cables are 4 meters (13') long and cannot be lengthened nor shortened:
 - Water Pressure Sensor:
 - Between pump and filter for pressure filtration systems.
 - Prior to the pump for vacuum filtration systems.
 - Water Temperature Sensor:
 - Prior to the water heating system.
 - pH+ORP Sensor:
 - Prior to injection points or salt cell.
 - The Flow Switch cable is 2 meters (6.6') long and can be lengthened using suitable wire.
 - With the cable entry compression glands at the bottom
 - Essentially vertically and level.
 - Securely, it is provided with 4 screws and 4 anchors for concrete. Ensure the mounting surface material is compliant with these anchors or use the correct anchor according to local building code regulation.
 - In a location not exposed to excessive dust.
 - In a location not exposed to jets of water.
- Open the DCCU cover:
 - A flat screwdriver is needed to release the 4 clips.
 - Use a T5 Tamperproof Torx to loosen the 4 screws.

3.3.2 Electrical Connection

Read 1.3 "Important Information, Safety Notices and Precautions" before starting electrical connection.



CAUTION:
The electric standard applicable is **IEC 60364-7-702**.
It is mandatory that the installation complies with this standard, as well as all local code and rule.

DCCU box is provided with compression glands size PG9 (for external diameter 3.5mm to 8mm, tightening 13Nm), PG11 (for external diameter 4mm to 10mm, tightening 20Nm) and PG13.5 (for external diameter 6mm to 12mm, tightening 25Nm). The cables must pass through the appropriate compression gland size according to their diameter and the compression gland must be tightened to the recommended setting to secure the cable.

3.3.3 Cables Selection and Connection

- For pump and auxiliary control: **SPT-1 or SPT1-W, 2 cores, AWG18.**
- Smaller sections and multiple conductor cables can be used depending on amperage (ex **JZ-602 12G0.5**).
- Cable selection must conform with local building code regulation.
- Connect the RJ45 male end to the RJ45 pass-through connector.

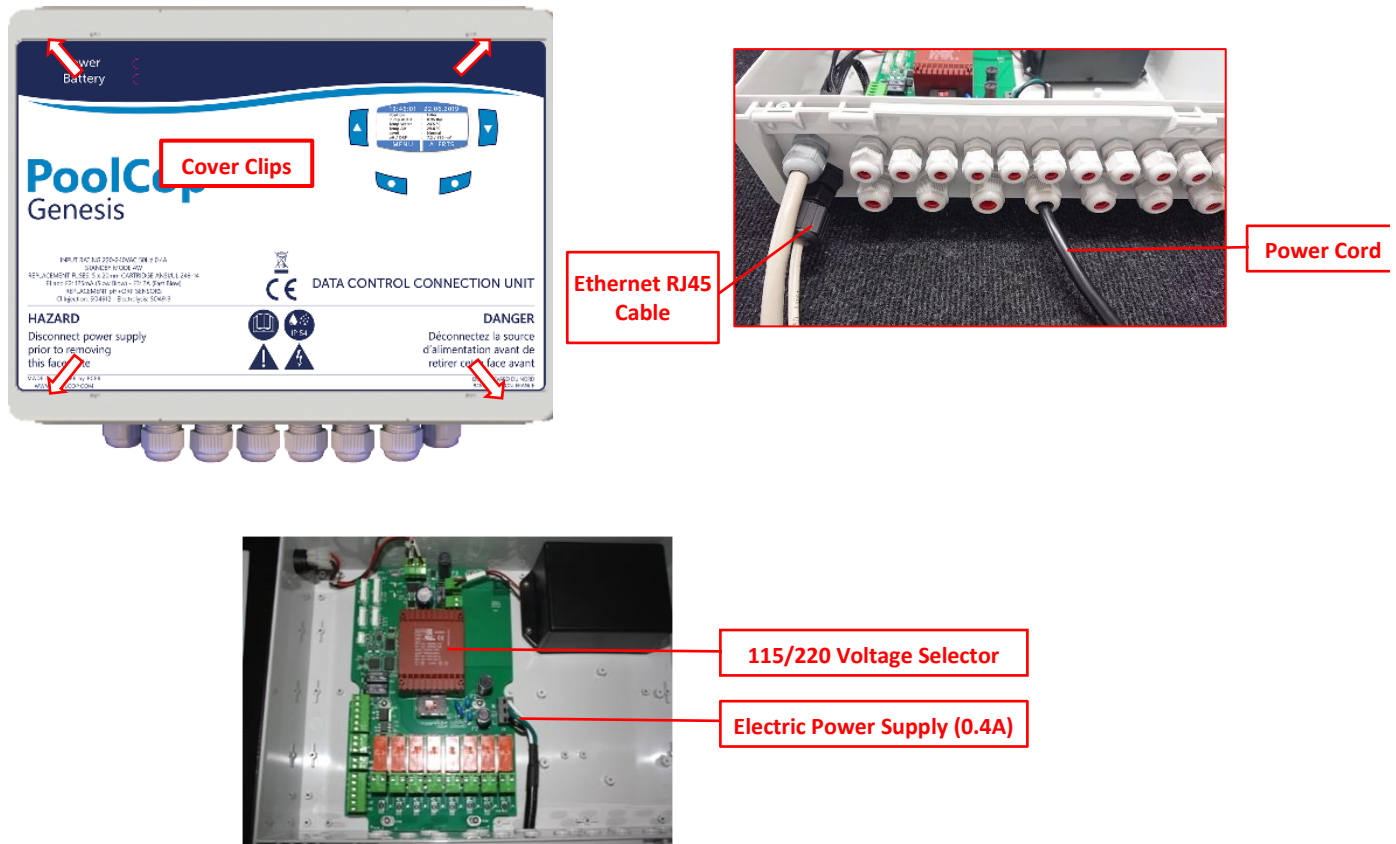


Figure 5 - Cover Opening and Cables Entries

- Plug the cord to a 5-15P socket, make sure the socket is secured by a 15 Amps bipolar breaker.
- Before powering up, check that the 115V/230V selector position is selected for 115V.



CAUTION:
 If switching to 230V for any reason, the fuses F1 and F2 must be replaced by 160mA slow blow 5x20mm cartridge fuse.

Relay Output Connection:

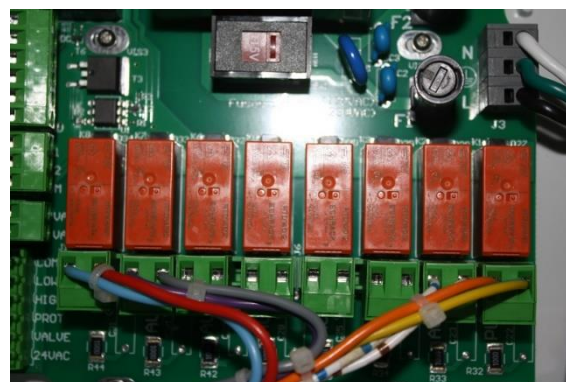


Figure 6 - Terminals

- The pump relay K1 is a dedicated relay for primary pump control and will not be used for other function.
- Auxiliaries can be connected via relays K2 - K7.

- See the appropriate section of this manual for connection details.
- Feed auxiliary equipment control cables through appropriate compression gland into the DCCU.
- When using multi strand cable, use a cable end.

**WARNING:**

Always tie wrap the wire ends together as close as possible to the relay connector.

Function	Relay Label	Relay ID	Connector	Rating	Examples of possible use
Primary Pump Control	PUMP	K1	J6	6A/24V	Pump control using a 24V relay. Using NO PUMP mode, this relay is not used.
AUX or VS pump	Aux1	K2	J6	6A/24V	Pool lighting, etc.
AUX or VS Pump	Aux2	K3	J6	6A/24V	Pool heating relay control, etc.
AUX or VS Pump	Aux3	K4	J6	6A/24V	Pool cleaner booster pump, etc.
AUX	Aux4	K5	J19	6A/24V	Garden lighting, irrigation control, etc.
AUX	Aux5	K6	J19	6A/24V	Pool treatment equipment, etc.
AUX or ORP Control	Aux6	K7	J19	6A/24V	Water treatment, etc. This relay dedicated to integrated ORP if installed.
pH Control	pH	K8	J19	6A/24V	pH Control.

Table 1 Relays and Power Ratings

**WARNING:**

Never exceed the listed power ratings.
Always conform to local installation norms and requirements.

**CAUTION:**

If you are unsure of the applicable wattage rating, contact the distributor of the auxiliary apparatus to confirm prior to connection.

**WARNING:**

Max Output 12VDC is 100mA. Max Output 24VAC is 450mA

3.3.4 Connecting a Single Speed Pump

- Disconnect the power supply to and from the existing pump timer.
- Disconnect the pump timer, or remove if appropriate, noting the wires that are connected to the pump or pump protection and relay.
- Connect the pool pump control circuit to the relay K1 (labelled "**PUMP**") on J6.



CAUTION:
This is a dedicated relay and will only be used for the pool pump.



CAUTION:
Controlling a pump will require a separate pump relay.
This relay will be controlled via the PUMP relay K1.

- If connecting a **single (or two) phase pump**, it is recommended that the pump has an independent supply, and that the PUMP relay K1 be used to control the external pump relay.

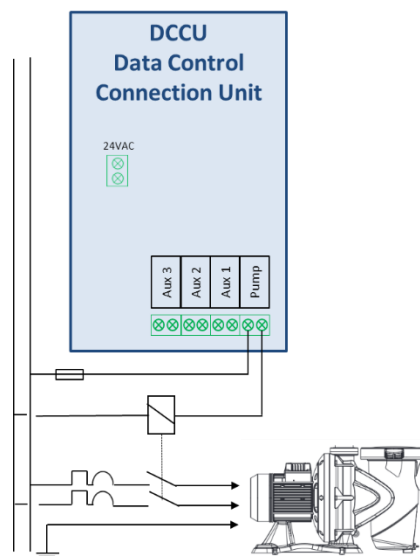


Figure 7 - Single (or Two) Phase Pump Connection

- If connecting **three-phase pump**, the pump must have an independent supply, and the PUMP relay K1 will be used to control the external two- or three-phase pump relay.

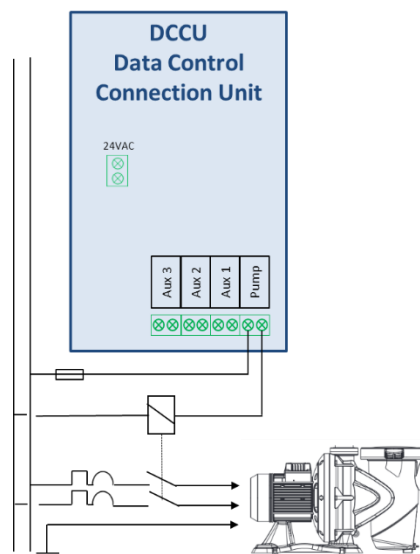


Figure 8 - Three-Phase Pump Connection

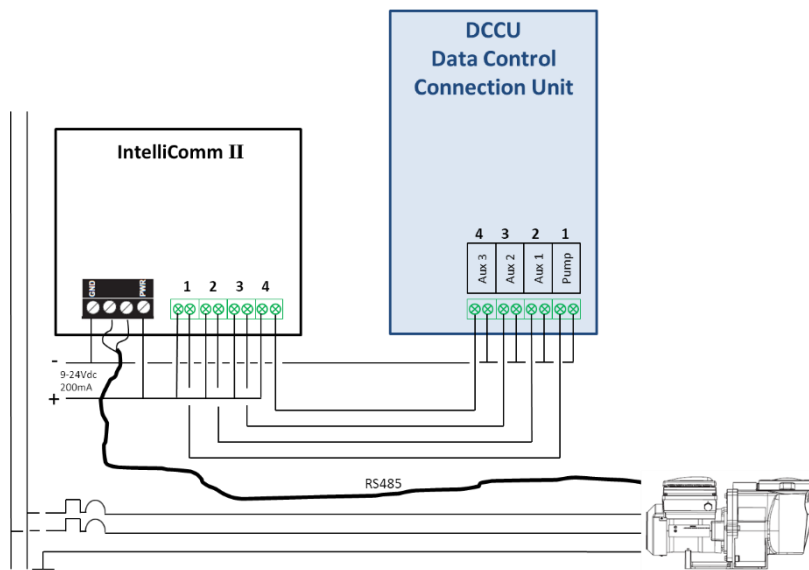
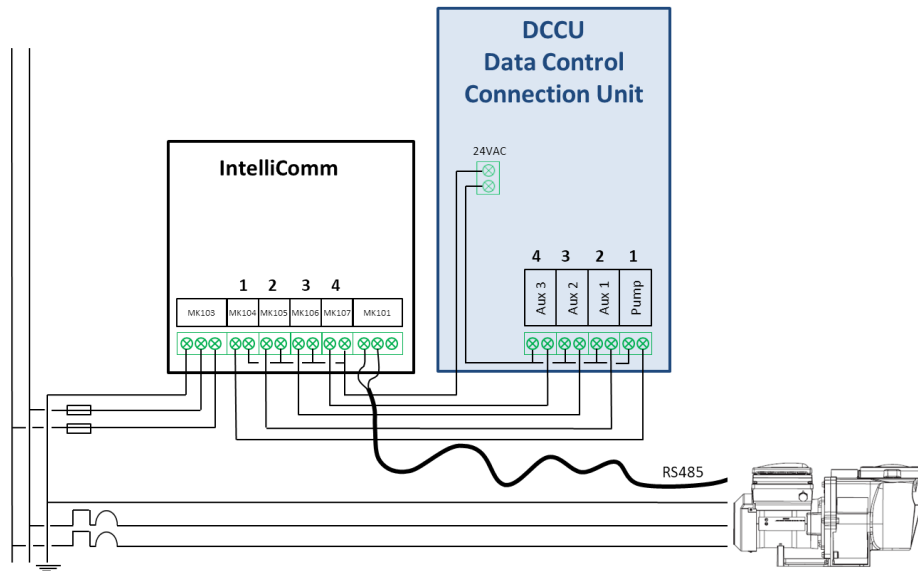
3.3.5 Connecting a Variable Speed Pump

See the **VARIABLE SPEED PUMPS GUIDE** downloadable on our internet website www.poolcop.com in RESOURCES /DOWNLOADS section for compatibility, connection, control and programming.



WARNING:
 Never exceed the power ratings. Max Output 12VDC is 100mA. Max Output 24VAC is 450mA
 Always conform to local installation norms and requirements.

3.3.5.1 Pentair IntelliFlo VSD/VSF (with IntelliComm or IntelliComm II drive)



	Speed	Pump	Aux1	Aux2	Aux3
PENTAIR Intellicom	STOP	OFF	OFF	OFF	OFF
	1	ON	OFF	OFF	OFF
	2	ON	ON	OFF	OFF
	3	ON	OFF	ON	OFF
	4	ON	OFF	OFF	ON

Figure 9 - Pentair IntelliFlo VSD/VSF with IntelliComm or IntelliComm II

3.3.5.2 Pentair IntelliFlo3 VSF

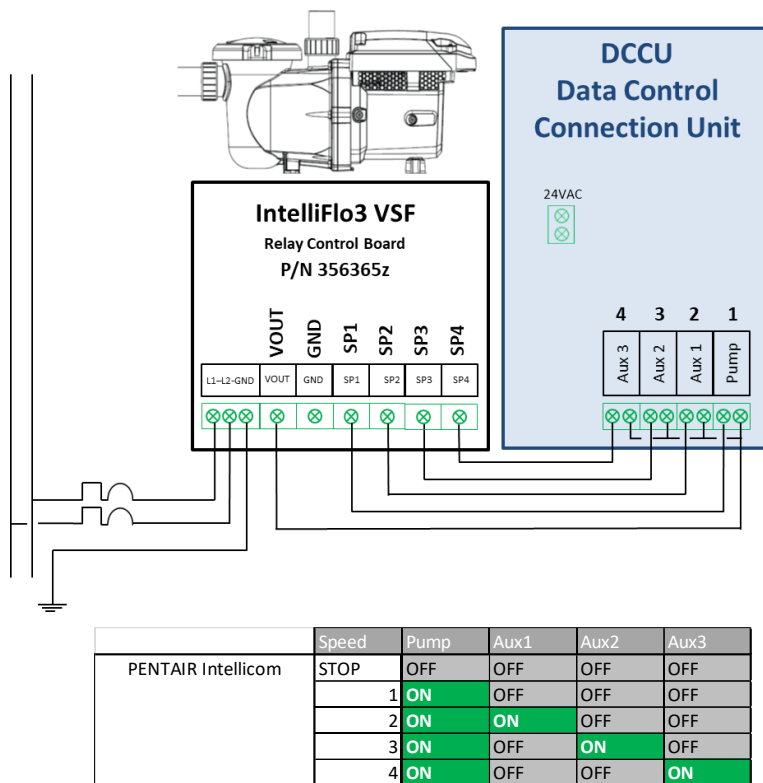


Figure 10 - Pentair IntelliFlo3 VSF

3.3.5.3 Pentair SuperFlo VS/VS2

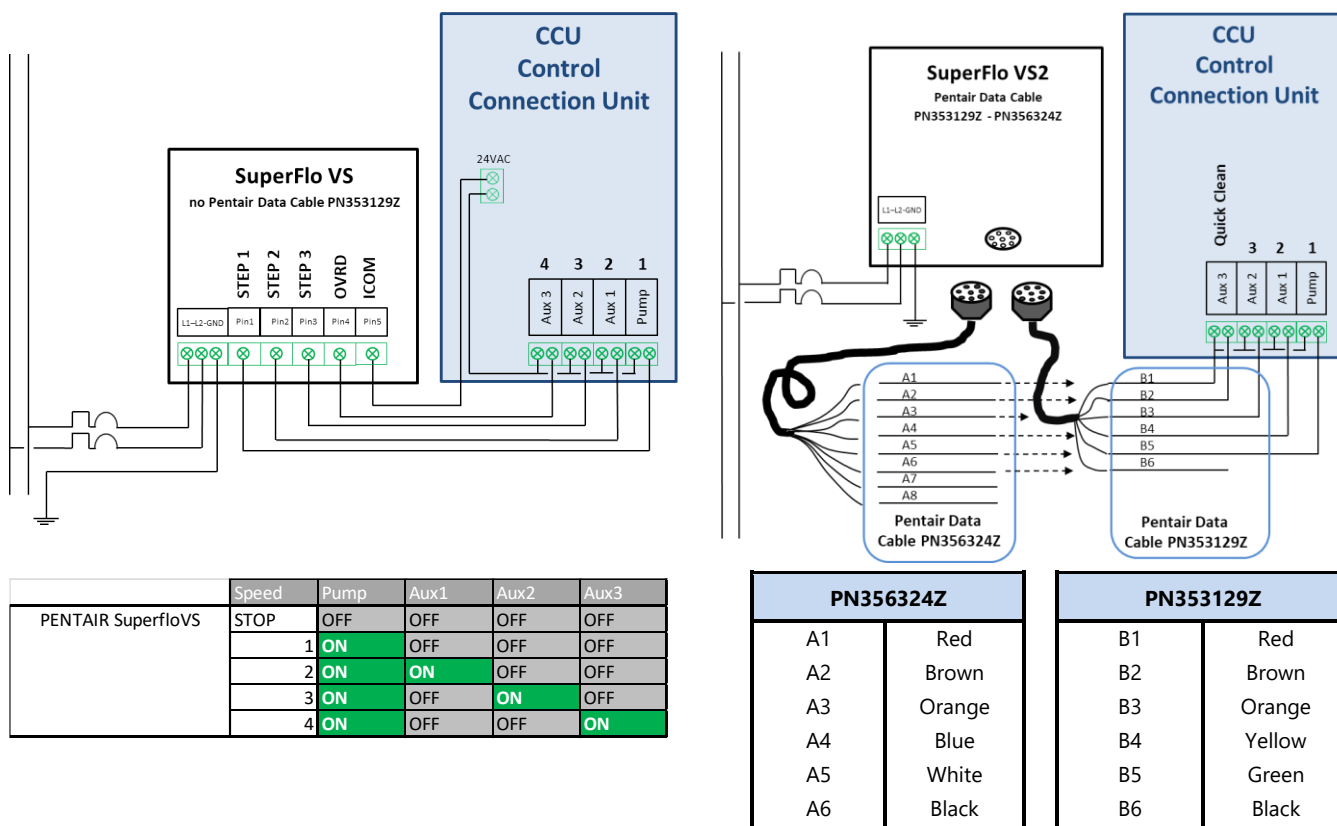


Figure 11 - Pentair SuperFlo VS/VS2

3.3.5.4 Hayward EcoStar

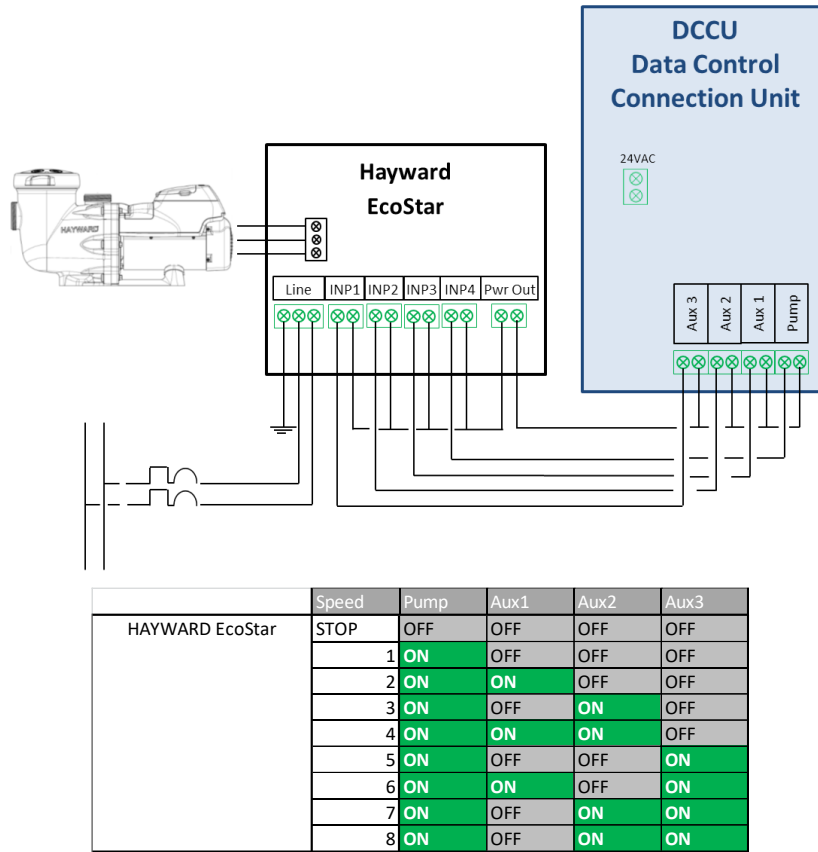


Figure 12 - Hayward EcoStar

3.3.5.5 Hayward VSTD Series

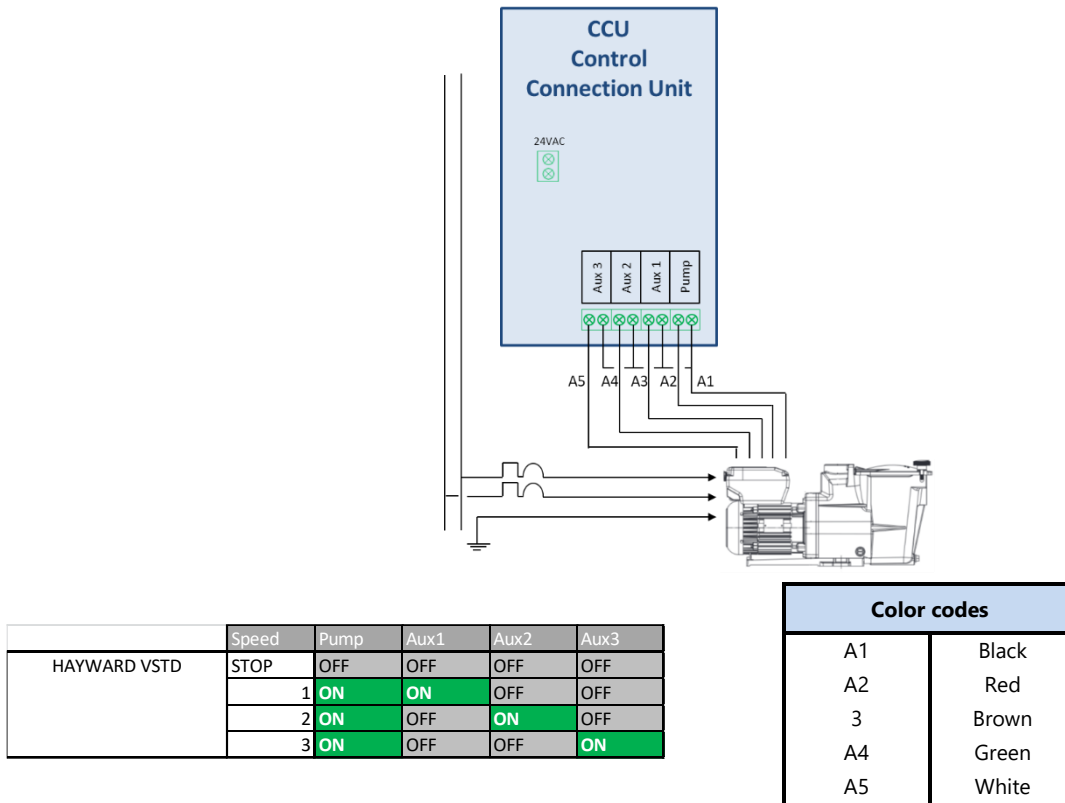


Figure 13 - Hayward VSTD Series

3.3.5.6 Zodiac FloPro VS

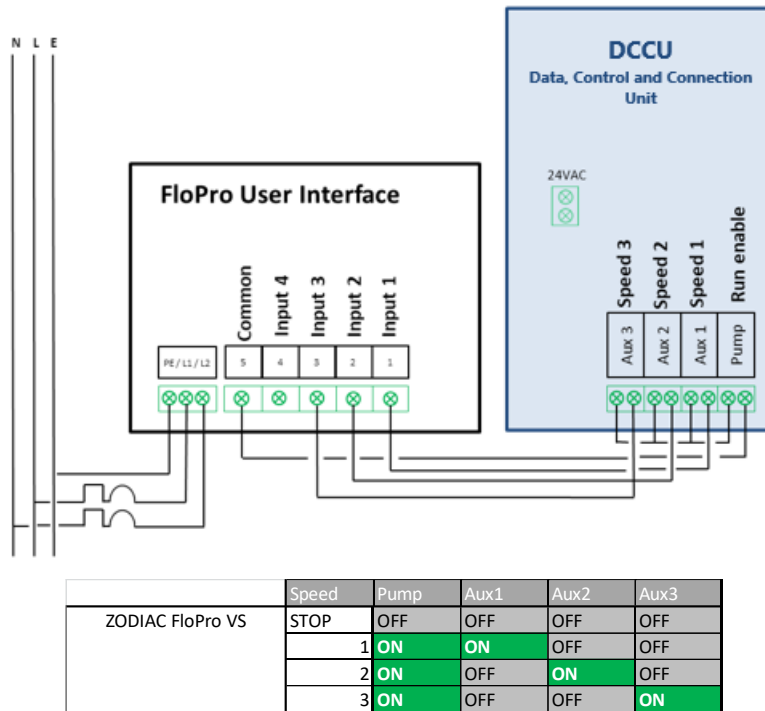


Figure 14 - Zodiac FloPro VS

3.3.5.7 Binary Combination

This option is not related to a specific pump but can be used to control several mono speed pumps.

	Speed	Pump	Aux1	Aux2	Aux3
Binary Combination	STOP	OFF	OFF	OFF	OFF
	1	ON	OFF	OFF	OFF
	2	ON	ON	OFF	OFF
	3	ON	OFF	ON	OFF
	4	ON	ON	ON	OFF
	5	ON	OFF	OFF	ON
	6	ON	ON	OFF	ON
	7	ON	OFF	ON	ON
8	ON	ON	ON	ON	

Figure 15 - Binary Combination

3.4 INSTALLING STANDARD FEATURES

3.4.1 Pump Pressure and Water Temperature Sensors

The Pump Pressure Sensor must be installed to monitor pump priming, inform about filter clogging and prevent chemicals to be injected when there is no pressure. The pressure sensor is installed either:

- Between pump and filter for pressurized filters.
- In the pump suction line for vacuum filters.

Whenever no pressure is detected, pH injection is inhibited, disinfection is inhibited, and any auxiliaries slaved to filtration pump are stopped. All these functions will restart automatically as soon as the pressure is re-established. The installer must ensure that the sensor will react properly in case of:

- Loss of priming (no pressure).
- Pipe blockage (high pressure).

The Water Temperature Sensor must be installed to adjust pH control setpoint and control heating system. It must be installed in any part of the installation with direct contact to pool water and preferably not exposed to direct sun light.



**Figure 16 -
Water Pressure Sensor**



**Figure 17 -
Water Temperature Sensor**

The Pressure and Temperature sensors must be:

- Installed before the chemical injection or salt cell.
- Fitted with PTFE thread tape to ensure water tightness.

3.4.1.1 Installation on threaded pipe

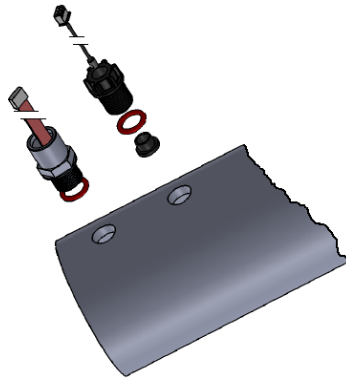
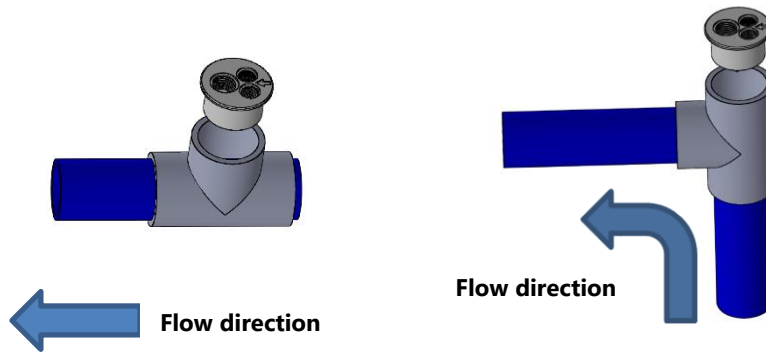


Figure 18 -Sensors on Threaded 3" Pipe

The Pressure and Temperature sensors must be:

- Installed in M17x1.5 threaded holes on piping. It is recommended to use the same 3" pipe section as per Water Condition Sensor (see 3.5.2 Installing the Water Condition Sensor).
- Mounted on a horizontal pipe.

3.4.1.2 Installation with Flow Cell Cap accessory (GN4202.04)



**Figure 19 -
Flow Cell Cap Horizontal mounting**

**Figure 20 -
Flow Cell Cap Vertical mounting**

T Piece Not Supplied

The Flow Cell Cap must be:

- Glued on a 2" T piece (not supplied)
- Placed either on:
 - An horizontal section of piping (see Figure 19).
 - A vertical to horizontal section of piping with ascending flow (see Figure 20).
- With flow direction as indicated on the Flow Cell Cap.

The Pressure and Temperature sensors must be:

- Installed in M17x1.5 threaded holes on Flow Cell Cap.
- Mounted vertically.

3.4.1.3 Pressure and Water Temperature Sensor Connection

- The Water Pressure Sensor cable must be routed through a compression gland and must be connected to J7 onto the Connection SE Data Board.
- The Water Temperature Sensor cable must be routed through a compression gland and must be connected to JP2 onto the Connection SE Data Board.

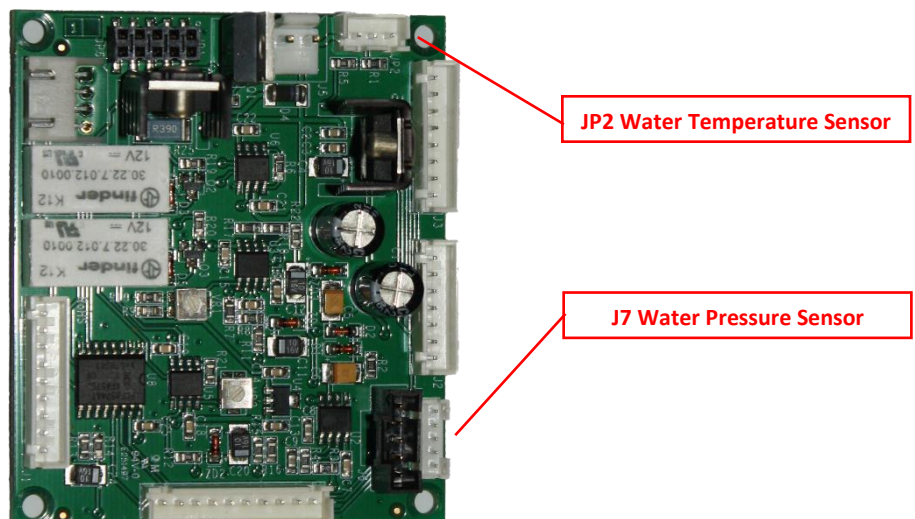


Figure 21 - Connecting Water Pressure and Water Temperature Sensors

- Tested to ensure proper operation:
 - In **MANUAL CONTROL, PUMP**, start the pump, wait for priming and stable water circulation.
 - In **CONFIGURATION, INPUTS** menu, check the current status of the Input (1).
 - On the main screen, check for pressure and temperature indication.

3.4.2 Air Temperature Sensor

The optional Air Temperature Sensor measures outside air temperature, displays this on the screen, and is used for antifreeze protection if configured in the **POOL DATA** menu.

- Disconnect all electrical power to the pool and systems.
- Switch the equipment OFF and open the DCCU.
- Route the sensor and cable via a compression gland to a location where external air temperature is representative of actual temperature to which the pool surface is exposed. Secure the sensor cable in an appropriate manner.
- Fit the Air Temperature Sensor to J27.

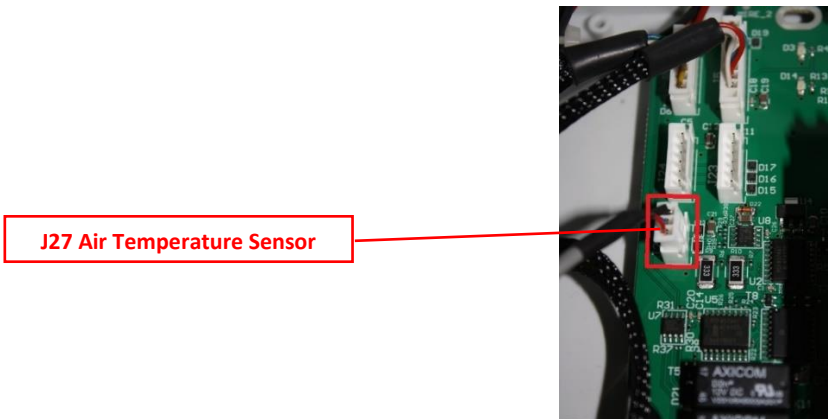


Figure 22 - Air Temperature Sensor on J27



CAUTION:
 Keep a minimum distance of 10cm between the air temperature sensor cable and any 120V/230V power cable to avoid disturbance due to capacitive coupling.

- Close the DCCU cover, making sure not to pinch the ribbon cable. Use a finger (or flat tool) to guide the ribbon cable as the DCCU is closed, to prevent any damage (see images below)

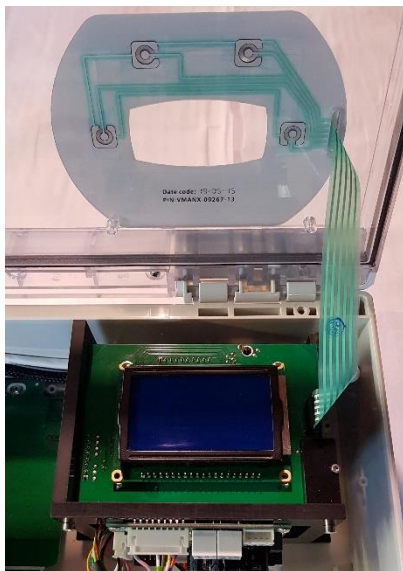


Figure 23 - Keypad Ribbon Cable

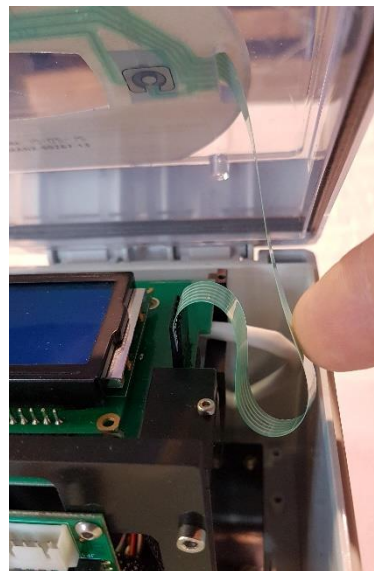


Figure 24 - Guide Ribbon Cable into the Enclosure



CAUTION:
 Do not pinch the Keypad ribbon cable whenever closing the DCCU cover. Use a finger or flat tool to guide the ribbon cable into the DCCU enclosure.

- Switch the equipment **ON**.
- Check the DCCU main screen for air temperature display.

3.4.3 Circulation Flow Detection Sensor

A water circulation sensor may be installed to prevent chemicals to be injected when there is no flow at the injection points, where required. The water circulation sensor is installed in the return line to the pool upstream of the chemical injection points. Whenever no flow is detected, pH injection is inhibited, disinfection is inhibited, and any auxiliaries slaved to filtration pump are stopped. All these functions will restart automatically as soon as the water circulation is re-established. The installer must ensure that the sensor will react properly in case of:

- Loss of priming (no flow, no pressure).
- Pipe blockage (no flow, normal or high pressure).



WARNING:

If the equipment is used for pH, ORP or any other treatment control, a water circulation flow detection sensor must be correctly installed, configured and tested to comply with NSF/ANSI 50 where required. A Flow Switch is supplied for this purpose.

The flow sensor cable must be routed through a compression gland and must be connected to the input(1) in the CCU. Sensor is delivering a **Normally Open** potential free contact, which will close when flow is detected (see 8.4 Flow Switch for details). By default, from factory settings, input(1) is pre-configured properly to inhibit treatment in case of no flow.



WARNING:

The flow switch must be installed in a horizontal pipe section. Never install on a vertical position.



NOTE:

Because "Flow Switch" is set by default on Input(1), if the flow sensor is not installed, chemicals dosing as well as any auxiliaries which are slaved to pump will not be actuated.

Two models of flow sensors can be provided depending on availability:

- Flow Sensor Type 1 with a male thread, paddle length to be adjusted.
- Flow sensor Type 2 with female thread, with fixed paddle length.

3.4.3.1 Flow Sensor Type 1

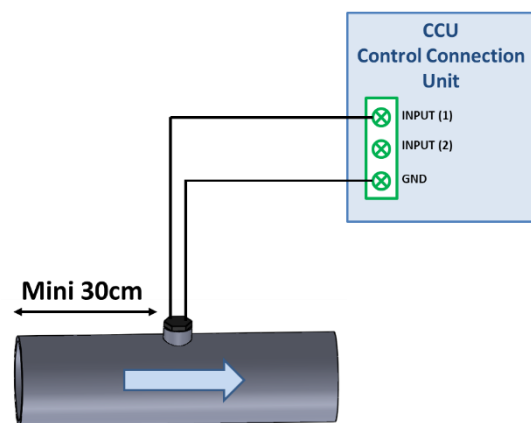


Figure 25 - Flow Switch

Figure 26 – PVC Saddle

Figure 27 - Connecting Flow Switch to Input (1)

The flow switch must be installed:

- Using a provided saddle. Two saddles are supplied, select the correct saddle according to pipe dimension (PVC Schedule 40/80, in 1.5" or 2" for example). Alternatively use a standard saddle clamp suitable for the pipe diameter, with 3/4" female thread fitting.
- In the return line to the pool, post filtration.
- After (downstream) all the pool equipment (filter, heater, solar, etc.).
- Before the chemical injection or salt cell.
- Mounted on a horizontal pipe.
- With at least a 30 cm (12") straight pipe run before (upstream) the flow switch.
- Adjusted to the correct paddle length according to the pipe diameter:
 - o The paddle can be cut at various lengths upon pipe diameter.
 - o There are cut lines numbered 1 to 6 every 5mm (0.2").

- There must be a 5 mm (0.2") minimum gap between end of the paddle and opposite pipe wall (see Figure 28 - Flow Switch Paddle Length Adjustment).
- Cut segment #6 for 1.5" pipe.
- Do not cut for 2" or larger pipe.
- Mounted with PTFE tape to ensure tightness.
- With the arrow on the switch housing aligned exactly parallel to the pipe in the direction of the water flow.

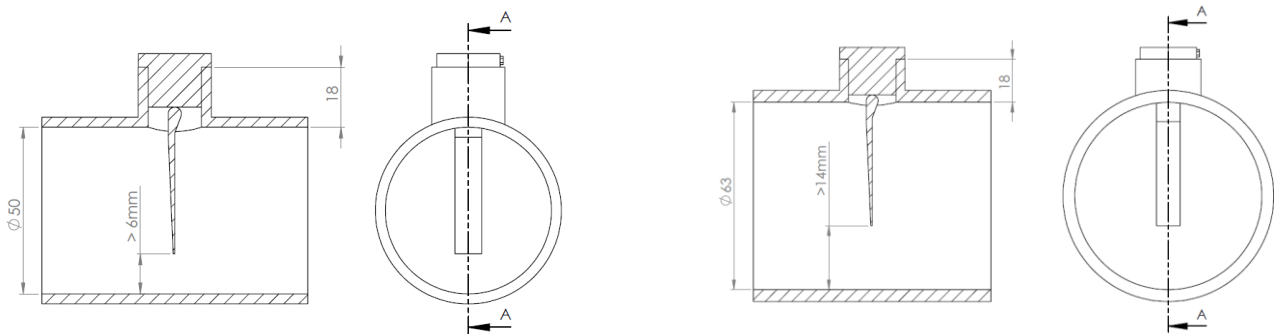


Figure 28 - Flow Switch Paddle Length Adjustment

3.4.3.2 Flow Sensor Type 2

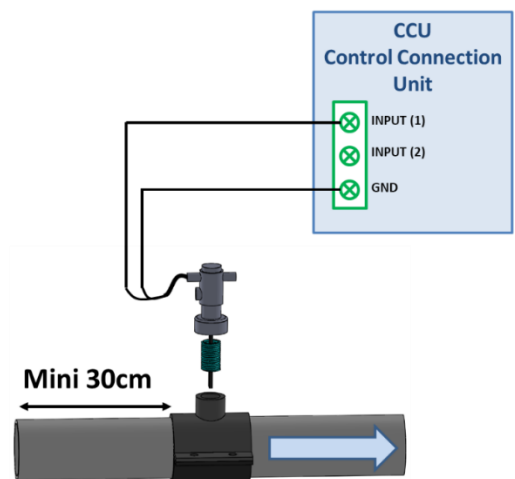


Figure 29 - Flow Switch

Figure 30 - Drill Hole Ø 20mm (3/4")

Figure 31 - Connecting Flow Switch to Input (1)

The flow switch must be installed:

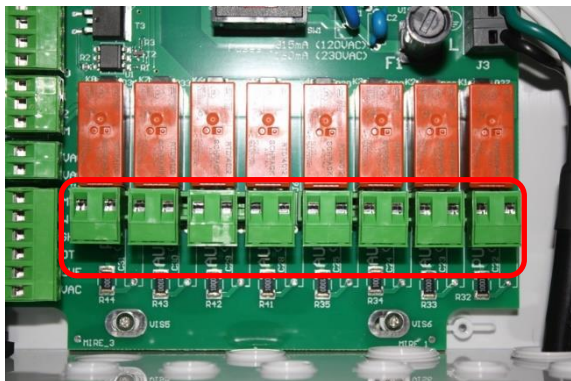
- Using a standard saddle clamp (not provided) suitable for the pipe diameter, with 3/4" male thread fitting. Alternatively, a standard saddle clamp suitable for the pipe diameter, with female thread fitting can be used with a suitable male-male thread adapter.
- In the return line to the pool, after filtration.
- After (downstream) all the pool equipment (filter, heater, solar, etc.).
- Before any treatment (the chemical injection point or salt system cell).
- Mounted on a horizontal pipe.
- With at least a 30 cm (12") straight pipe run before (upstream) the flow switch.
- Before placing the saddle clamp, drill a Ø 20mm (or 3/4") hole on top of the pipe (see above).
- Fit the flow switch to the saddle clamp with PTFE thread tape to ensure water tightness.
- Orientate the flow switch with the arrow on the switch housing exactly parallel to the pipe and in the direction of water flow.
- Tighten the fittings to ensure water tightness. Do not overtighten.

3.4.3.3 Flow switch operational test

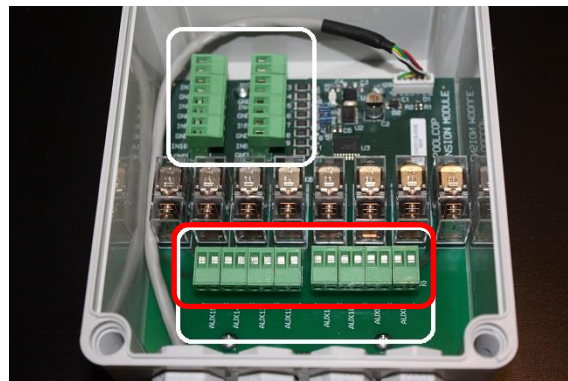
- Wire the cable ends to one Input with the cable routed through a compression gland.
- Test to ensure proper operation:
 - In **MANUAL CONTROL, PUMP**, start the pump, wait for priming and stable water circulation.
 - In **CONFIGURATION, INPUTS** menu, configure an input as "flow switch" and check the status of the Input. Status should be **ON**, if status is **OFF**, check the wiring and Input configuration (see 5.6.4)
 - In **MANUAL CONTROL, PUMP**, stop the pump.
 - In **CONFIGURATION, INPUTS** menu, check the status of the Input. Status should be **OFF**. If status is **ON**, check the wiring and Input configuration (see 5.6.4).

3.4.4 Connecting Auxiliary Relays

An **auxiliary relay acts as a switch** in the same way as the mechanical switch or timer:



Relay Terminals in the DCCU



Relay Terminals in the XM8 Extension Module

Figure 32 - Auxiliary Relay Connection

- Auxiliary relays can control auxiliary pool equipment, such as lights, heating, pool cleaners, etc.
- Auxiliary **Aux7** is dedicated to pH Control.
- With ORP Control installed and configured, **Aux6** is dedicated to ORP Control.
- With Extension Module and Pool cover function installed, **Aux14** is dedicated to open cover, **Aux15** to close.
- With Extension Module and Jetstream function installed, **Aux13** is dedicated to Jetstream pump control.

Each auxiliary relay has its own dedicated timer, programmed in the PoolCOP **AUXILIARIES MENU**. Auxiliary relays can be given a default name or a custom name from the list available. Relays can be slaved to the pump.

3.4.4.1 Connection Instructions



WARNING:
Never exceed the power ratings.
Max Output 12VDC is 100mA. Max Output 24VAC is 450mA
Always conform to local installation norms and requirements.

- Disconnect the supply to and from the existing auxiliary timer.
- Disconnect the manual timer or other control, removing this if appropriate, noting the wires that are connected to the auxiliary equipment.
- Use multi-core cable to connect the auxiliary circuits to the auxiliary relays (Aux1 to Aux6) in the DCCU.
- The auxiliary relay functions in the same manner as a mechanical timer.
- The wires should be connected in the applicable slots on connectors J6/J19 (DCCU) or J1/J2(XM8) (Figure 27 - Auxiliary Relay Connection).

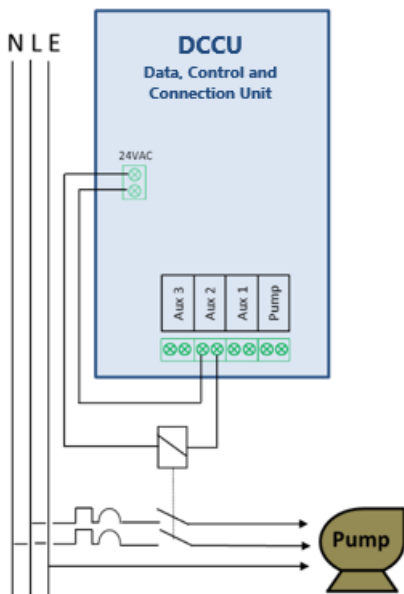


Figure 33 - Single Phase 120/230VAC Auxiliary

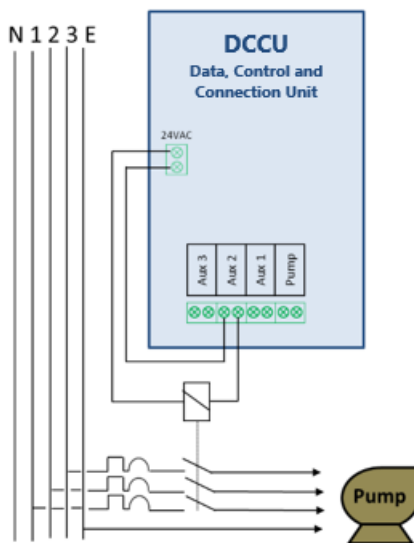


Figure 34 - Three-Phase Auxiliary Connection

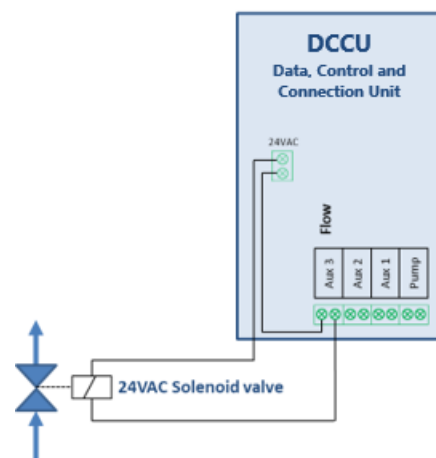


Figure 35 - Connection 24VAC Auxiliary

3.4.4.2 Relay Timer Programming

Each auxiliary relay can be programmed with one daily timer cycle. Auxiliary relays can be slaved to run only if filtration is running. See for 5.3 Auxiliaries Menu further information.

3.4.5 Connecting Inputs

Several types of sensors and equipment can be connected to add functionality and trigger alerts. Inputs must be connected between the chosen input channel and the GND.



CAUTION:
Inputs are polarized with 5VDC.
Ensure that the signal connected to each input is potential free to avoid damage.

The Input can be assigned to any predefined functions with direct action (action when the contact is closed) or reverse action (action when the contact is open). Inputs must be potential free contacts. The configuration menu lets you select the role and direction of action of each entry.

The inputs are situated:

- in the DCCU, and are labelled IN1 and IN2; see Figure 36 - Connecting Inputs in DCCU.
- in the XM8 Extension Module and are labelled IN3 to IN10; see Figure 37 - Connecting Inputs in XM8.

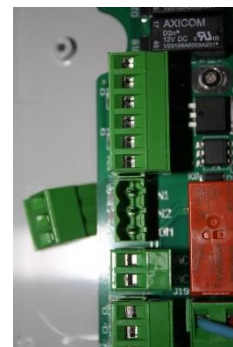
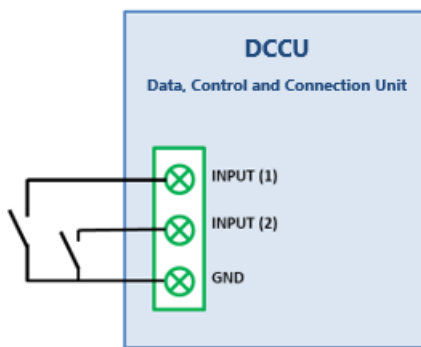


Figure 36 - Connecting Inputs in DCCU

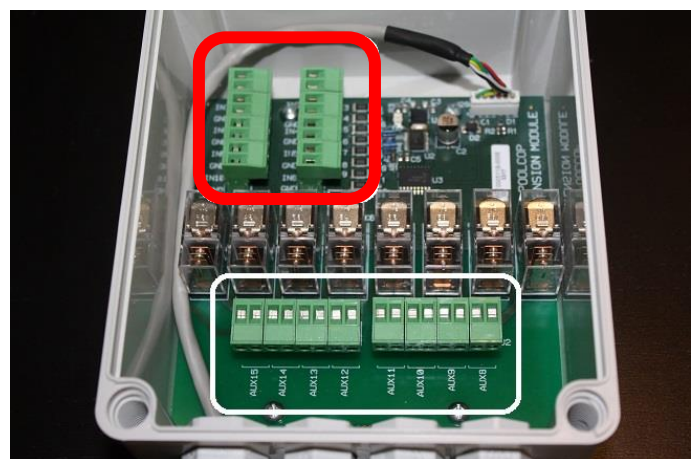
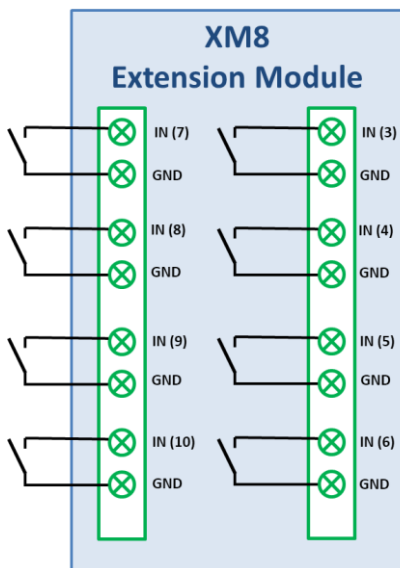


Figure 37 - Connecting Inputs in XM8

3.4.5.1 External Thermostat



NOTE:
An external thermostat is not required if the Air Temperature Sensor is installed.

Freezing risk can be detected by means of a properly installed and configured external thermostat if installing the Air Temperature Sensor is not possible. Generally, the temperature setting is in the range -5°C to +5°C (23 to 41°F), depending on location of the sensor. Refer to the instruction manual for the thermostat for full details. The thermostat is connected to the selected input and to the GND.

An Open or Closed circuit indicates a freezing risk; contact action is configured in programming.



Figure 38 - External Thermostat

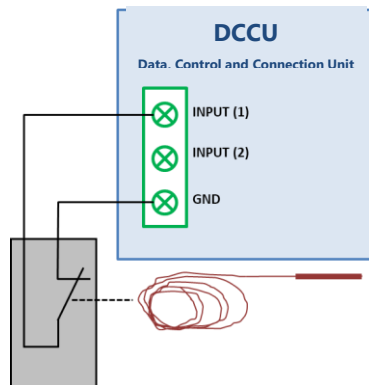


Figure 39 - Thermostat Connection



CAUTION:
The thermostat does not guarantee the prevention of freezing under all conditions. It may be necessary to protect equipment in the case of deep freezing and very low temperatures.

3.4.5.2 Detection of Low Consumables Level

Connected to an Input in the DCCU and correctly configured, the detection indicates consumables level low, triggering an Alert. Set the low-level switch according to the manufacturer's instructions.

Multiple suction wands (or other low consumable detection circuits) for different consumables, can be connected in series. Any detector at low level will trigger the alert.



Figure 40 - Suction Wand with Low Level Detection

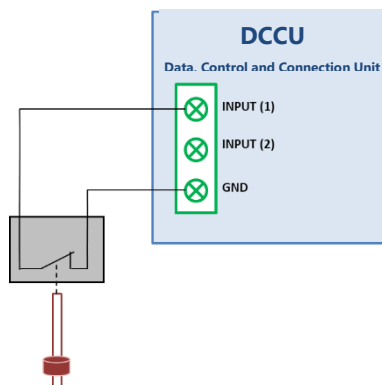


Figure 41 - Consumables Low Level Detection Connection

3.4.5.3 Pool Cover Detection

An external pool cover sensor can be connected to an Input to inform PoolCOP that the cover is in the closed position. Programming in the Pool Data menu then allows for adjustment of filtration duration and water treatments.

3.4.5.4 Salt System Attention Needed

A compatible salt water chlorination system can use this Input configuration to alert conditions requiring intervention.

3.4.5.5 Filtration External Start or Stop

Filtration can be started or stopped by using an Input. This is suitable, for instance, when using a heating system to start the filtration pump.

3.5 INSTALLING WATER TREATMENT

3.5.1 General

The equipment is compatible with all water treatments. There are no specific restrictions on use of any legally permitted swimming pool water treatment with equipment. Follow all manufacturer recommended guidelines to ensure safety, correct dosing and equipment life.

There are two types of sensors available, the sensors have the same dimensions and fit the same housing in the VDU:

Treatment Option	Sensor Required	Sensor Reference
pH + liquid chlorine injection; chlorine or bromine tablets	pH+ORP Pt Sensor kit	SO4912
pH + salt water system	pH+ORP Au Sensor kit	SO4913



WARNING
 A flow sensing device should be properly installed and configured to secure chemicals dosing. If the flow sensing device is not added or not correctly configured and pipe is blocked, chemicals may build up in the pipes. Releasing the flow may create unsafe water chemistry conditions locally in the pool and may harm people.



WARNING:
 If the equipment is used for pH, ORP or any other treatment control, a water circulation flow detection sensor must be correctly installed and configured to comply with NSF/ANSI 50 where required. A Flow Switch is supplied for this purpose.



WARNING:
 Certain precautions must be taken PRIOR to installation of the sensor to ensure correct measurement and to prevent the possibility of damage: Install and test an electrical earth bonding in accordance with local regulations. Test the water for presence of metals (iron, zinc, copper) and use a metal sequesterate treatment in any case.

3.5.2 Installing the Water Condition Sensor

The water condition sensor has a supplied housing. Installation of the different type of pH+ORP sensors is the identical.



Figure 42 - Water Analysis Sensor with Transport Cap



Figure 43 - Sensor and Housing

- Verify that the pump circuit breaker is **OFF**, and/or use **SERVICE MODE**, and/or set all pump timers to 00:00 in **FILTRATION MODES** menu, with filtration timer mode to **STOPPED**.
- Close all valves; ensure that all possible water supply is cut off and depressurized the circuit.



CAUTION:
 Removing the sensor from piping whilst there is pressure or a head of water in the circuit can cause water to flood and damage equipment.

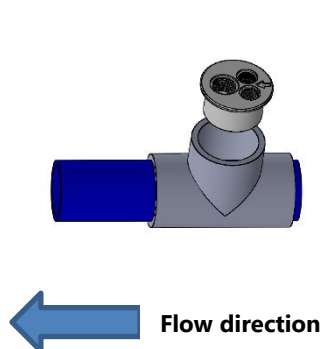
3.5.2.1 Installation on threaded pipe



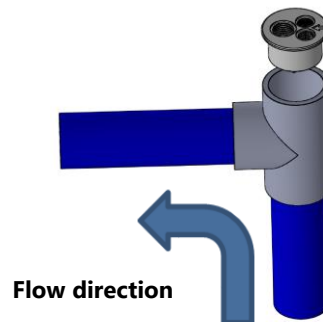
**Figure 44 -
Sensors on Threaded 3" Pipe**

- Sensor Housing must be placed in a M24x1.5 threaded hole in a minimum 3" pipe section.
- Sensor must be placed vertically on the upper part of the pipe.
- Fit the sensor housing, with O-Ring.

3.5.2.2 Installation with Flow Cell Cap accessory (GN4202.04)



**Figure 45 -
Flow Cell Cap Horizontal mounting**



**Figure 46 -
Flow Cell Cap Vertical mounting**

T Piece Not Supplied

The Flow Cell Cap must be:

- Glued on a 2" T piece (not supplied)
- Placed either on:
 - An horizontal section of piping (see Figure 45).
 - A vertical to horizontal section of piping with ascending flow (see Figure 46Figure 20).
- With flow direction as indicated on the Flow Cell Cap.
- The Sensor Housing must be placed in a M24x1.5 threaded hole.
- Fit the sensor housing, with O-Ring.

3.5.2.3 Placing the sensor in its housing

- Remove the liquid filled transport cap from the sensor.



CAUTION:

The transport cap must be removed prior to fitting the sensor. Fitting the sensor without removing the transport cap will result in erroneous pH and ORP readings and chemical regulation.

- Check/adjust the grab ring, the grab ring must be between 25-30mm (0.98-1.18") from the sensor shoulder.
- The blue (SO4912) or white (SO4913) band ensures spacing between the securing nut and the sensor shoulder.



Figure 47 - SO4912 Spacing, Grab Ring Adjustment



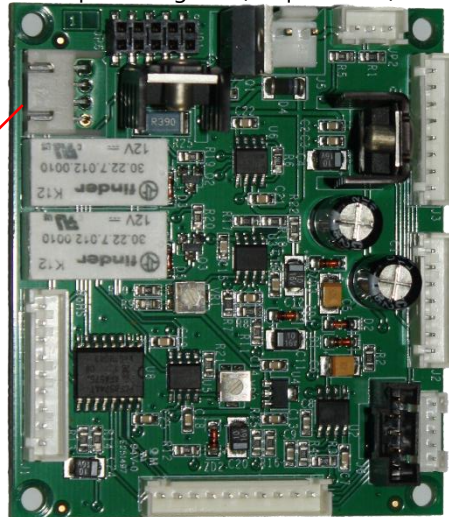
Figure 48 - SO4913 Spacing, Grab Ring Adjustment

- Check/adjust compression ring and O-Ring accordingly.
- Fully insert the sensor into the housing, and secure with the nut.
- Finger tighten the securing nut.
-

**CAUTION:**

**Do not over-tighten as the electrode is a sensitive device.
Ensure that the cap is sufficiently secure to retain the sensor in place under water pressure.**

- Sensor is provided with its own PG9 compression Gland.
- Remove one of the PG9 free compression Gland on the right side of the enclosure to free the entry for pH/ORP sensor cable.
- Connect the sensor wire plug to JP6 onto the Connection SE Data PCB.
- Once properly connected, tighten the compression gland (torque 13Nm).



JP6 pH+ORP Sensor

Figure 49 - Connecting pH/ORP Sensor

- Open valves and reconnect water supply, whilst checking for leaks.
- Reconnect the pump circuit breaker.
- Reset the filtration timers and mode as required.
- Start the pump from **MANUAL CONTROL** menu and check for leaks.
- Leave the pump running or switch the pump from **MANUAL CONTROL** menu, as required.

3.5.3 pH Control



WEAR HAND PROTECTION:
Always wear correct chemical resistant hand protection when handling chemicals.



EYE PROTECTION:
Always wear correct eye protection when handling chemicals.

pH control requires the pH+ORP sensor.

When filtration cycles are used (all filtration modes except **24/24** or **NO PUMP** use daily cycles), pH is automatically measured 15 minutes after the end of each filtration cycle. The updated pH is displayed immediately. If only one filtration cycle is set, the pH is measured automatically once per day; if both filtration timers are set, pH is measured automatically twice per day.

When filtration runs in **24/24** or **NO PUMP** filtration modes, pH is controlled every hour when disinfection is in observation phase.

pH can be measured at any time by first stopping the filtration pump, and then selecting **MEASURE PH** in **MAINTENANCE** menu.

pH information is used for pH control functions and Alerts. However, independent pH control systems can be installed with the equipment. In this case equipment can be used to measure pH and trigger Alerts if the pH is out of the normal range.

3.5.3.1 pH Sensor Calibration

The sensor can be calibrated using pH buffer fluids or liquids of known pH. It is recommended to calibrate pH using an external buffer liquid or pool water in an isolated container, rather than in the VDU itself. This avoids the risk of stray currents in the pool affecting the calibration sequence. Calibration must be performed with no flow, filtration pump must be stopped.

3.5.3.2 Information and Guidance

The equipment has proportional- integral pH Control. An ON/OFF feeder pump (peristaltic or electromagnetic) and installation kit is required. pH Control logic and safety:

- With filtration cycles:
 - The dosing is executed once at the beginning of each filtration. It is recommended to program two daily filtration cycles, to enable two dosing periods per day. **Filtration should be stopped at least 30minutes between 2 filtration cycles to allow pH algorithm to work properly.**
 - Whatever are the settings, maximum dosing time is **30 minutes per filtration** cycle (60 minutes per day if the recommendation for two cycles is respected).
- In **24/24** and **NO PUMP** filtration modes:
 - The reading is done **every hour**, when disinfection is in observation phase.
 - The dosing is executed just after reading. **Duration is limited to 6 minutes** maximum per injection.
 - Whatever are the settings, maximum dosing time is **60 minutes per day.**
- Proportional-integral control logic allows for very safe operations and avoids risk of overdosing.
- Setting the maximum dosing time is a way to adjust control power. Maximum dosing must be adjusted in accordance with pool volume, water alkalinity and the feeder pump flow rate to provide best results.
- The pH Control relay AUX 7 is protected and injection will be stopped in the case of loss of valve position, loss of flow, loss of pressure, pump off securities, etc. for safety.
- An alert will be generated if pH is not in the defined range. pH control will continue to operate normally.
- An alert will be generated if pH does not change after 5 successive injections to indicate that the control is ineffective.
- As a security, if the measured pH is out of limits (lower than 6.0 or higher than 9.5), pH control is stopped. An Alert message is displayed prompting for water balance.



NOTE:
As a security, if the measured pH is out of limits pH control is stopped.

- As soon as the pH re-enters the range 6.0 to 9.5, injection may restart.

3.5.3.3 Installing the Feeder Pump

- Install the feeder pump, associated suction and injection pipes and connectors as per the feeder pump installation manual.
- Ensure that the correct liquid consumable pH- or pH+ is installed and secured.
- Route the power supply for the feeder pump via a 24V Coil AC Contactor. The contactor will be operated by AUX 7 in the DCCU.
- Connect the feeder pump to the mains power supply as per the pump installation manual, ensuring electrical protection and conformity.

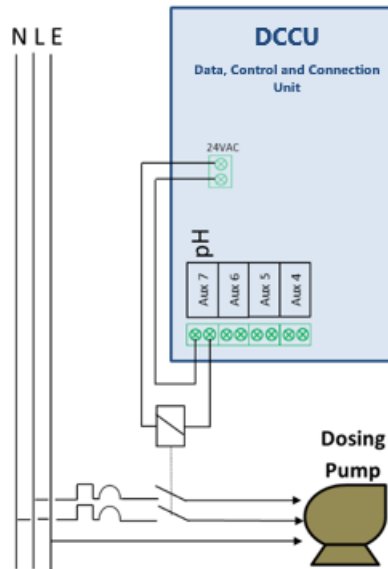


Figure 50 - pH Feeder Pump Connection

- Test and prime the feeder pump:
In *WATER AND TREATMENT, PH CONTROL*, select priming **ON**.

3.5.3.4 pH Control Programming

- See 5.4.2 pH Control.

3.5.3.5 Activating pH Control

- In the *MAINTENANCE* menu, command the equipment to *MEASURE PH*.

3.5.4 Disinfection



WEAR HAND PROTECTION:
Always wear correct chemical resistant hand protection when handling chemicals.



EYE PROTECTION:
Always wear correct eye protection when handling chemicals.

The equipment is compatible with all types of water disinfection. Disinfection can be with or without chemicals.

3.5.4.1 Disinfection Control

3.5.4.1.1 Controlled by ORP

ORP control is available for controlled disinfection. A sensor is required to perform the control. The water condition sensor type varies, depending on the chemical method used for treatment.

Treatment Option	Sensor Required	Sensor Reference
pH + liquid chlorine injection; chlorine or bromine tablets	pH+ORP Pt Sensor kit	SO4912
pH + salt water system	pH+ORP Au Sensor kit	SO4913



NOTE:
ORP measurement and control is not compatible with copper/silver ionization.

- pH+ORP sensor is required, correctly installed as per 3.5.2 Installing the Water Condition Sensor.
- Dosing is only commanded during programmed filtration cycles. Dosing will start 30 minutes after start of a filtration cycle.
- Proportional-integral control logic allows for very safe operations and avoids risk of overdosing.
- If "chlorine" or "bromine" disinfection algorithm is chosen, maximum possible time assuming filtration is running continuously will be **11 hours 50 minutes**.
- If "salt" (for salt water chlorinator) disinfection algorithm is chosen, maximum possible time assuming filtration is running continuously will be **19 hours 40 minutes**.
- The relay AUX 6 is protected and injection will be stopped in the case loss of flow, loss of pressure, pump off securities, etc. for safety.
- If required, disinfection can be stopped due low water temperature (useful to ensure chlorinator cell life).
- An alert that the control is inefficient will be generated if:
 - ORP does not increase after 20 successive injections (algorithm "Chlorine" or "Bromine").
 - ORP does not increase after 5 successive production cycles (algorithm "Salt").



NOTE:
As a security, if the measured ORP is out of limits (lower than 100mV or higher than 990mV) for more than approximately 40 minutes, ORP control is stopped and an Alert is displayed.

- As soon as the ORP re-enters the range 100mV to 990mV, injection may restart.

Configure ORP control in the **WATER AND TREATMENT** menu, program **ORP CONTROL** (See 5.4.3 ORP Control for further details).

3.5.4.1.2 Dosage controlled by volume and temperature.

- This function adjusts disinfectant volume injected based on:
 - Dosing pump flow rate.
 - Pool volume.
 - Water temperature.
- Targeted dosage is 6ml/m³/day.
- Maximum dosing cannot exceed 5ml/m³/day.
- Dosage is progressively increased to twice the initial amount as water temperature rises from 22°C to 30°C (71.6°F to 86°F).
- An extra setting will allow to reduce by 50% or increase by 50% to take pool environment into account.
- The dosing relay is protected (pump off securities, etc.) for safety. For example, in case of priming loss, injection will be stopped.
- Configure Remnant control in the **WATER AND TREATMENT** menu, program **REMNANT INJECTION** (See 5.4.4 Remnant Injection for further details).

3.5.4.2 Means of Disinfection

3.5.4.2.1 Chemical Injection by Feeder Pump or Other Equipment

- Install the feeder pump or other equipment, associated suction and injection pipes and connectors as per the equipment installation manual.
- Ensure that the correct consumable is installed and secured.
- Route the power supply for the equipment via a 24V Coil AC Contactor. The contactor will be operated by the chosen auxiliary output in the DCCU.
- Connect the equipment to the mains power supply as per the equipment installation manual, ensuring adequate electrical protection and conformity.



NOTE:

If injection is controlled by ORP sensor, the feeder pump must be controlled by Aux 6.



NOTE:

If injection is controlled by temperature / volume (remnant) any available Aux can be used.

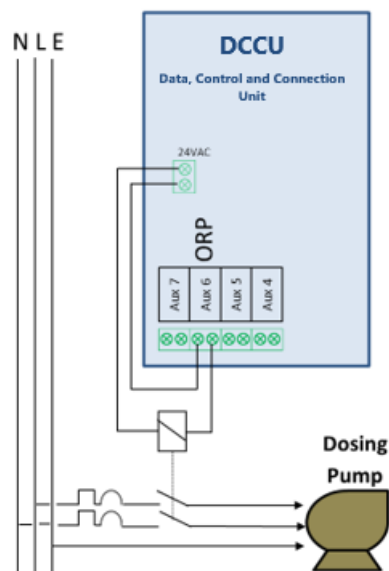


Figure 51 - Connecting Disinfection Equipment or Feeder Pump to Aux6

- Test and prime the feeder pump, if applicable:
 - In **MANUAL CONTROL** menu, select the respective **AUX** to **ON**; the equipment or pump must run.
 - Or in **WATER AND TREATMENT, ORP CONTROL**, select priming **ON**.

3.5.4.2.2 Saltwater Chlorination

A correctly specified saltwater chlorination system and installation kit is required. When saltwater chlorination is used for treatment, regular water analysis will be carried out to ensure that salt consumables and free chlorine levels remain within the required limits. Refer to the manufacturer's guidelines and instructions for use.

- Install the salt water chlorinator and associated plumbing as per the manufacturer's instruction and installation manual.
- Ensure that the correct quantity of salt consumable is added in the correct manner to the pool water.
- Route the power supply for the salt chlorinator via a 24V Coil AC Contactor. The contactor will be operated by the AUX 6 in the DCCU.
- Connect the salt chlorinator to the mains power supply as per the manufacturer's installation manual, ensuring adequate electrical protection and conformity.
- If the chlorinator is compatible, an Input can be used for LOW SALT and other messages as per 3.4.5 Connecting Inputs.

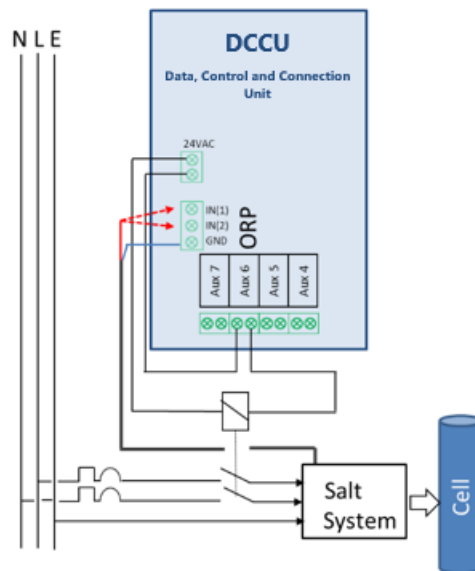


Figure 52 - Salt System Connection

- Testing the saltwater chlorinator power supply:
 - Select the filtration to **ON** (the saltwater chlorinator requires water flow for proper operation).
 - Set the water supply valves as per the saltwater chlorinator operating instructions.
 - Navigate to the **MANUAL CONTROL, AUXILIARIES** menu
 - Select the respective Aux to **ON**; the chlorinator must be powered.
 - Select the Aux to **OFF**.
- Refer to the saltwater chlorinator instruction manual for correct settings and running time for the pool.

3.5.5 Free Available Chlorine Sensor

The sensor allows to get the Free Available Chlorine value from the water sample going through the sampling chamber.

Free Available Chlorine values in ppm will be reported on the FAC Data menu, and Low and High Alerts can be set.

See the **Free Available Chlorine Sensor Installer and User Manual** for information and guidance.

3.6 INSTALLING OPTIONS

Various equipment options are available. These serve to increase autonomy and enhance functionality.

3.6.1 Water Level Control

Automatic water level control functionality is integrated. In order to benefit from this feature, the optional water level sensor and valve kit is required. After installation, configure Water Level Control in the Configuration menu (see 5.4.1).

When filtration cycles are used, water level is check and controlled only when **filtration pump is stopped**. Refill will start when level is below setpoint and stop at setpoint or if maximum adjustable refill time is reached.

When using **24/24** or **NO_PUMP** filtration modes, level is checked and control every 60 minutes outside disinfection dosing periods. Water refill may start immediately but refill will be paused after 30 minutes. If water level is not at setpoint at this moment, refill will restart in the next 60 minutes. Several refill periods may be used to get to setpoint. The maximum adjustable refill time is still in place to protect against leaks.

When ready to commence the installation, the installer must:

- Disconnect all electrical power to the pool and systems.
- Close all valves, and if necessary, block all inlets to and outlets to/from the pool.

3.6.1.1 Installing the Water Line Version, with 4 Terminals

- Secure the water level sensor (using stainless steel self-tapping screws, or appropriate adhesive) at the correct height on the inside of the skimmer or on the waterline.
- If the level sensor is fitted in the skimmer, make sure that the skimmer basket and lid can easily be removed and replaced without damaging the sensor or cable.
- Normal water level must be between WL (HIGH) and WL (LOW).
- WL (HIGH) **must be below pool overflow level** and at an appropriate level with regards to the skimmer.
- WL (PROT) is the **V.HIGH** level, at maximum pool water level.

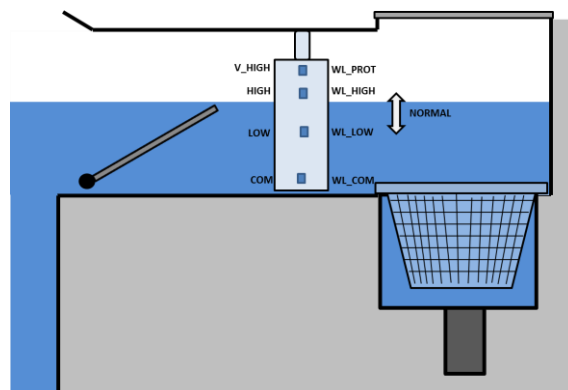


Figure 53 - Water Line Level Sensor

PCB Label	TYPICAL Color	ACTUAL Color
COM	Yellow	
LOW	Blue	
HIGH	Red	
PROT	Green	

Table 2 Water Line Version 4 Terminals, Cable and Connection

3.6.1.2 Installing the Buffer Tank Version, with 4 Sensors (Infinity Pools)

The 4 sensors are identical, with the same color cable.

Add tags/labels prior to installation to identify the correct cable and sensor.

- Check that the pool water level is correct and that the buffer tank level is correct.
- Secure the 4 water level sensors at the correct respective heights in the buffer tank.
- Normal tank level must be between WL (HIGH) and WL (LOW)
- WL (HIGH) **must be below tank overflow level.**
- WL (PROT) is the **V.HIGH** level, at maximum tank water level.

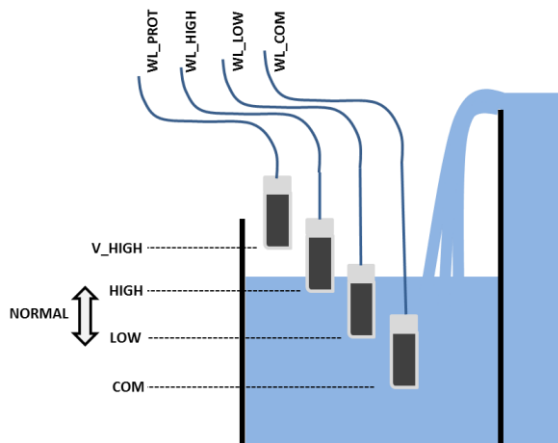


Figure 54 - Buffer Tank Water Level Sensors

PCB Label	Cable Color	Tag on Sensor
COM	Blue	
LOW	Blue	
HIGH	Blue	
PROT	Blue	

Table 3 Buffer Tank Version, with 4 sensors

3.6.1.3 Connecting the Water Level Sensors

- Before installing the water level sensor, check the colors corresponding to each terminal using a multi-meter.
- Ensure that the terminals are clean and free of any insulating film or grease.
- Route the wire from the level sensor to the DCCU. A conduit will be used to protect the cable.
- Switch the DCCU **OFF** and open the DCCU.
- Feed the cable through a compression gland into the DCCU.
- Connect the 4 cores to the connector on J20 (see Figure 55 - Connecting Water Level).

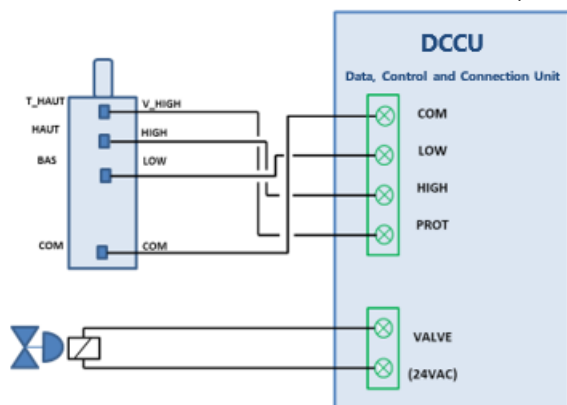


Figure 55 - Connecting Water Level



CAUTION:
Cable core colors may differ for different sensor manufacturing batches.
Refer to notes to ensure correct wiring connections are made.

3.6.1.4 Water Supply



CAUTION:
Install the collar in a location such that the flow of water to the pool cannot be isolated by a manual valve.



CAUTION:
According to norms and regulations in place and depending on the origin of top up water, supply of fresh water in the pool must be done in a disconnecting overflow tank so that pool water cannot flow back in the supply network.

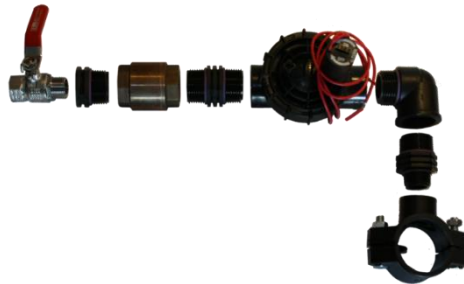


Figure 56 - Refill Valve and Fittings

- Fit a saddle onto the pool return pipe.
- Drill an appropriately sized hole through the return pipe.
- Fit the non-return valve and the solenoid valve.
- Verify that both valves are orientated correctly.
- Fit a stop valve, to shut off the main water supply when required.
- Use appropriate pipe to connect the main water supply to the solenoid valve.
- If buried, the pipe should be buried to a depth of at least 250mm.
- If not buried, secure the pipe in a neat and adequate manner.
- Once all piping and joints have been completed, open the main supply.
- Verify that the solenoid valve closes and seals correctly. Remove and replace if necessary.
- Verify all piping, joints, and connections for leaks. Repair all leaks before continuing.
- If necessary, extend the 2-core wire of the electrical solenoid.
- Feed the cable through a compression gland into the DCCU.
- Connect the 2-core wire from the valve solenoid to the connector on J20 marked (VALVE 24VAC) according to Figure 55 - Connecting Water Level. Polarity is not important.
- Reconnect electrical power supply to the PoolCop DCCU.
- Switch the DCCU **ON**.

3.6.2 Installing XM8 Extension Module

Read before starting electrical connection.

The XM8 Extension Module provides 8 extras digital multipurpose inputs and 8 extras digital outputs (relays).

With the Extension Module, extras functionalities are available such as pool cover control or Jetstream control (see **Erreur ! Source du renvoi introuvable. Erreur ! Source du renvoi introuvable.** for more details).

Relay usage will be defined in **AUXILIARIES** menu (see 5.3 Auxiliaries Menu for details).

Input usage will be defined in **INPUTS** menu (see 5.6.4 Inputs for more details).

XM8 box is provided with compression glands size PG7 (for external diameter 3.5mm to 8mm), PG9 (for external diameter 3.5mm to 8mm) and PG11 (for external diameter 4mm to 10mm). The cables must pass through the appropriate compression gland size according to their diameter and the compression gland must be tightened to secure the cable.

Cables selection:

- For pump and auxiliary control: **SPT-1 or SPT1-W, 2 cores, AWG18.**
- Smaller sections and multiple conductor cables can be used depending on amperage (ex **JZ-602 12G0.5**).
- Cable selection and type must conform with local regulation.

Installing:

- Mount the XM8 in a weather-proof location close to the DCCU. Ensure the unit is secured. The Unit is provided with 4 screws and 4 anchors for concrete. Make sure the wall material is compliant with these kinds of anchor or use the correct anchor.



NOTE:
The connection cable between DCCU and Extension Module is 1.2 meter long.
Make sure these modules are close enough to route the connection cable properly.

Connecting:

- Shut the DCCU power down.
- Open the DCCU cover and the XM8 cover with a screwdriver.
- Pass the cable for the XM8 Extension Module through a compression gland of the DCCU and secure it.
- Connect the cable extremity to J23 or J24.
- The Extension Module will be powered by 12VDC provided by DCCU. No need for an external power supply.

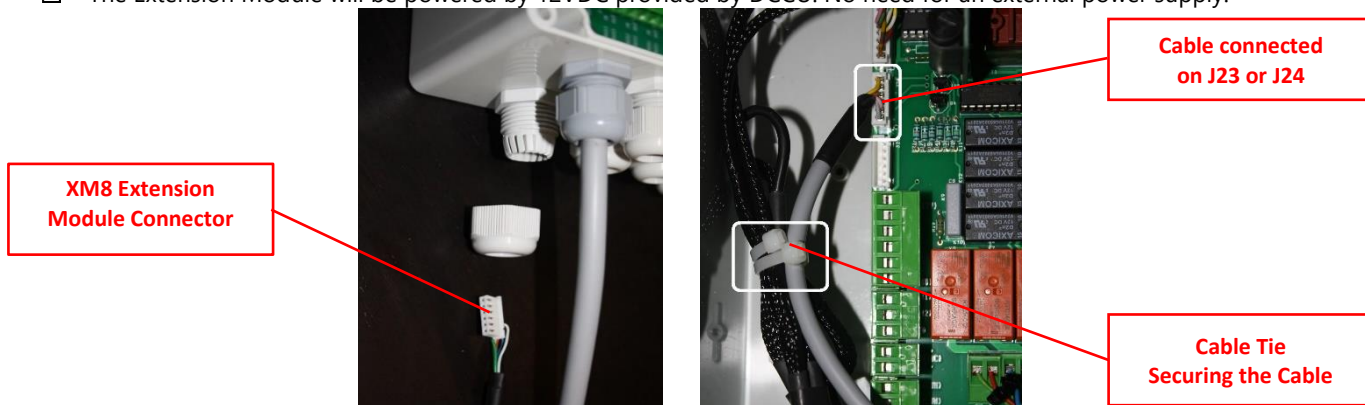


Figure 57 - Cables Entries

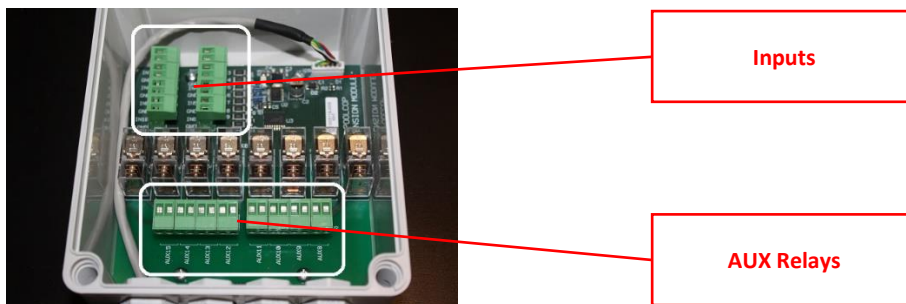


Figure 58 - Terminals

- See the appropriate section of this manual for connection details.
- Feed auxiliary equipment supply cables through a compression gland into the Extension Module.
- Switch the DCCU **ON**.

Outputs (relays) table:

<u>Function</u>	<u>Relay Label</u>	<u>Relay ID</u>	<u>Connector</u>	<u>Rating</u>	<u>Examples of possible use</u>
AUX	AUX8	K1	J2	6A/24V	Pool Heating, Booster Pump, Garden Lighting, Irrigation, Etc.
AUX	AUX9	K2	J2	6A/24V	Pool Heating, Booster Pump, Garden Lighting, Irrigation, Etc.
AUX	AUX10	K3	J2	6A/24V	Pool Heating, Booster Pump, Garden Lighting, Irrigation, Etc.
AUX	AUX11	K4	J2	6A/24V	Pool Heating, Booster Pump, Garden Lighting, Irrigation, Etc.
AUX	AUX12	K5	J1	6A/24V	Pool Heating, Booster Pump, Garden Lighting, Irrigation, Etc.
AUX	AUX13	K6	J1	6A/24V	Jetstream *, Pool Heating, Booster Pump, Garden Lighting, Irrigation, Etc.
AUX	AUX14	K7	J1	6A/24V	Pool Cover OPEN Command *, Pool Heating, Booster Pump, Garden Lighting, Irrigation, Etc.
AUX	AUX15	K8	J1	6A/24V	Pool Cover CLOSE Command *, Pool Heating, Booster Pump, Garden Lighting, Irrigation, Etc.

* See extras functionalities in 3.6.3 Connecting Equipment

Table 4 Relays and Power Ratings



WARNING:

Never exceed the power ratings.

Always conform to local installation norms and requirements.



CAUTION:

If you are unsure of the applicable wattage rating, contact the distributor of the auxiliary apparatus to confirm prior to connection.

Inputs table:

<u>Function</u>	<u>Input Label</u>	<u>Connector</u>	<u>Examples of possible use</u>
INPUT	IN3-GND	J11	Consumables Low, Pump Start, Pump Stop, Pool Cover, Etc.
INPUT	IN4-GND	J11	Consumables Low, Pump Start, Pump Stop, Pool Cover, Etc.
INPUT	IN5-GND	J11	Consumables Low, Pump Start, Pump Stop, Pool Cover, Etc.
INPUT	IN6-GND	J11	Consumables Low, Pump Start, Pump Stop, Pool Cover, Etc.
INPUT	IN7-GND	J12	Consumables Low, Pump Start, Pump Stop, Pool Cover, Etc.
INPUT	IN8-GND	J12	Consumables Low, Pump Start, Pump Stop, Pool Cover, Etc.
INPUT	IN9-GND	J12	Jetstream Control * Consumables Low, Pump Start, Pump Stop, Pool Cover, Etc.
INPUT	IN10-GND	J12	Consumables Low, Pump Start, Pump Stop, Pool Cover *, Etc.

* See extras functionalities in 3.6.3 Connecting Equipment

Table 5 Inputs Table



CAUTION:

Inputs are self-powered with low voltage.

Only use potential free signal without any external power supply.

3.6.3 Connecting Equipment

3.6.3.1 Connecting a Pool Cover

A pool cover control functionality is available in Equipment settings. To achieve remote control, a compatible pool cover drive unit must be connected to the XM8 Extension Module.

Pool Cover will be operated by "pulsing" the Open command or Close command to the drive. Basically, the operating mode will be able to replace the genuine button or key operated command.



WARNING:

Remote control of a pool cover can cause severe injury. The user must always have the pool in direct view when maneuvering the cover and during opening or closing operations. The pool must be monitored at all times during the operation of the pool cover to ensure that no person is in the pool or enters the pool. The remote control of the pool cover is reserved for maintenance operations carried out by an authorized technician.



NOTE:

Refer to the Pool Cover manufacturer wiring diagrams to wire properly the signals. Aux14 is open command, Aux 15 is close command and In10 is closed position contact.

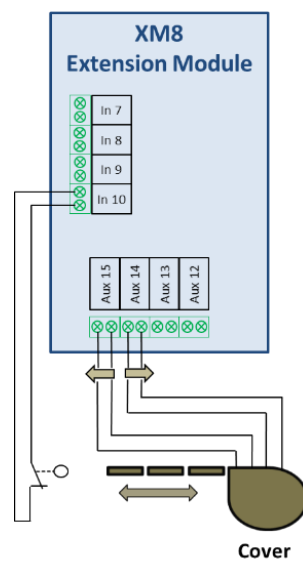


Figure 59 - Pool Cover Connection (Control and Position Indication)

3.6.3.2 Connecting a Jetstream Pump

A Jetstream pump is usually operated with a pneumatic push button in the pool. If the push button is connected to the XM8 Extension Module, Jetstream will also be operable remotely and user will be able to choose a running duration (see 5.6.6 Equipment further details).

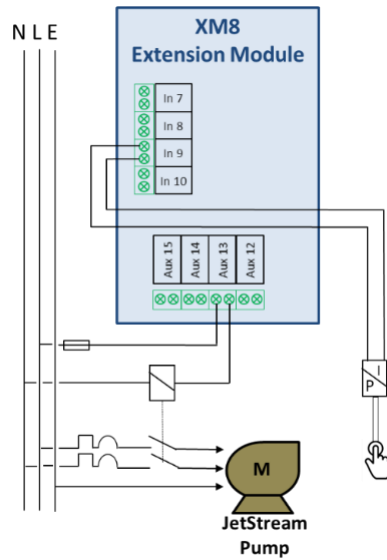


Figure 60 - Jetstream Connection



NOTE:

Push button signal must be converted in ON/OFF contact before being connect to Extension Module.
This is usually done by a pneumatic switch inside the Jetstream electric junction box.
Aux13 is Jetstream pump command.

3.7 COMPLETING THE INSTALLATION

- Verify that all wiring has been done according to applicable electrical norms.
- Verify that the pH+ORP electrode or blanking plug is secure, with O-Ring in place.
- Verify that the power switch on the DCCU is in the **OFF** position.
- Close the DCCU Cover and secure with 4 tamper proof screws.
- Connect the circuit breakers to the DCCU and associated equipment.

3.8 COMMISSIONING POOLCOP

- Switch the DCCU **ON**.
 - o The **Power** and **Supply** LED's must illuminate.



CAUTION:

**If this equipment stays on for longer than 2 seconds, IMMEDIATELY switch OFF the DCCU.
Recheck all connections.**

If only the pump runs, disconnect the circuit breaker, switch ON the PoolCOP and reset factory default settings. Now reconnect the pump circuit breaker and continue with commissioning.

- The PoolCOP will display the following sequence:
 - o Welcome note with firmware version (5 seconds).
 - o Pump **OFF**.
- Open all appropriate valves and remove any plugs in the filtration system.



CAUTION:

**If leaks are found, switch OFF the DCCU.
Repair all leaks and repeat the procedure, if required.**

- Switch the pump **ON** from the **MANUAL CONTROL** menu.
- With the pump and filtration running, carefully check for leaks, especially in the following places:
 - o pH+ORP sensor or blanking plug.
 - o All valves and pipe connectors.
- Verify correct functioning of auxiliaries by switching them **ON/OFF** in the **MANUAL CONTROL** menu.
- Close the DCCU cover and secure with 4 tamper proof screws.

3.9 POST INSTALLATION INSPECTION, DOCUMENTATION, PROCEDURES

3.9.1 Post Installation Inspection

After completing the installation, the installer will:

- Verify that all the wiring is neat and safe.
- With the system running, verify no water leaks.
- Verify that the water balance is in the acceptable range.
- Verify correct functioning of the equipment and peripherals, including the pool light.

3.9.2 Post Installation Documentation

Complete the Configuration Card (section 2.4).

Complete the product warranty registration card.

3.9.3 Post Installation Procedures

Ensure that the client has a broad knowledge of the installation, understands the functions of the PoolCop and the alerts:

- Introduce system and point out main components and their functions.
- Explain basic system operation, using the User Guide.
- Explain that once the water is balanced, the PoolCop takes over the filtration and other functions as installed within normal parameters.
- Remind the owner that the PoolCop is a management system, not a repair system. Events outside of the norm may require intervention and water balance.
- Show Air Temperature Sensor location (if installed)
- Show the Water Level Control (if installed):
 - Sensor location and cable routing.
 - Position and use of the water supply shut-off.
 - Pipe routing of the water supply.
- Show water treatment options and consumables (if installed).
- Show auxiliary equipment connected (if installed).
- Show inputs connected (if installed).
- Explain the water treatment options as installed, including the verification of consumables.
- Hand over completed User Guide.

Section 4 USER GUIDE

- 4.1 PoolCOP Configuration.....53
- 4.2 Keypad and Display Layout.....53
- 4.3 Menus.....54
 - 4.3.1 Manual Control.....55
 - 4.3.2 Filtration Modes.....56
 - 4.3.3 Auxiliaries.....57
 - 4.3.4 Water and Treatment.....58
 - 4.3.5 Maintenance.....58
 - 4.3.6 Configuration.....59
- 4.4 Using and Settings.....61
 - 4.4.1 Illuminate the Backlight.....61
 - 4.4.2 Navigate the Menu.....61
 - 4.4.3 Return to Main Display.....61
 - 4.4.4 Filtration and Pump Control.....62
 - 4.4.5 Water Level Control.....69
 - 4.4.6 Water Treatment.....69
 - 4.4.7 Auxiliary Control.....70
 - 4.4.8 Equipment Control (requires XM8 Extension Module).....71
 - 4.4.9 Service Mode.....72
- 4.5 Troubleshooting and Alerts.....73
 - 4.5.1 General Troubleshooting.....73
 - 4.5.2 Electrical Power Failure.....73
 - 4.5.3 Alerts and System Messages.....73

PoolCOP has been designed to relieve much of the burden and cost of pool maintenance, whilst reducing the cost and requirement for chemical products. The pool will be a healthier swimming environment.

PoolCOP is not a repair system. Pay prompt attention to any Alerts. In the unlikely event of malfunctions call a qualified technician. Following the guidelines in this manual and maintain the equipment in accordance with the maintenance schedule to ensure trouble free operation and an easily maintained swimming pool.

4.1 PoolCOP Configuration

The equipment will be programmed by a qualified technician.

4.2 KEYPAD AND DISPLAY LAYOUT

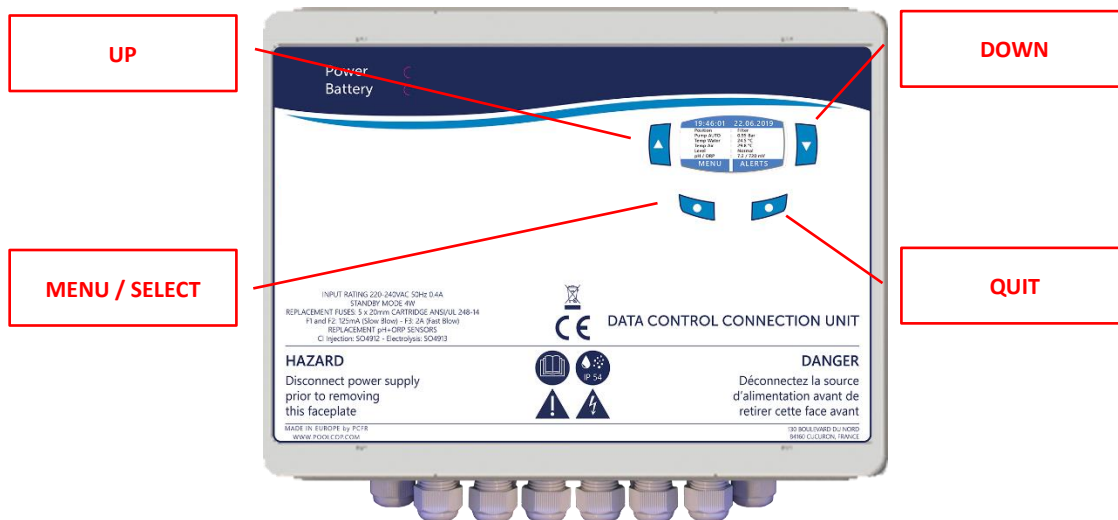
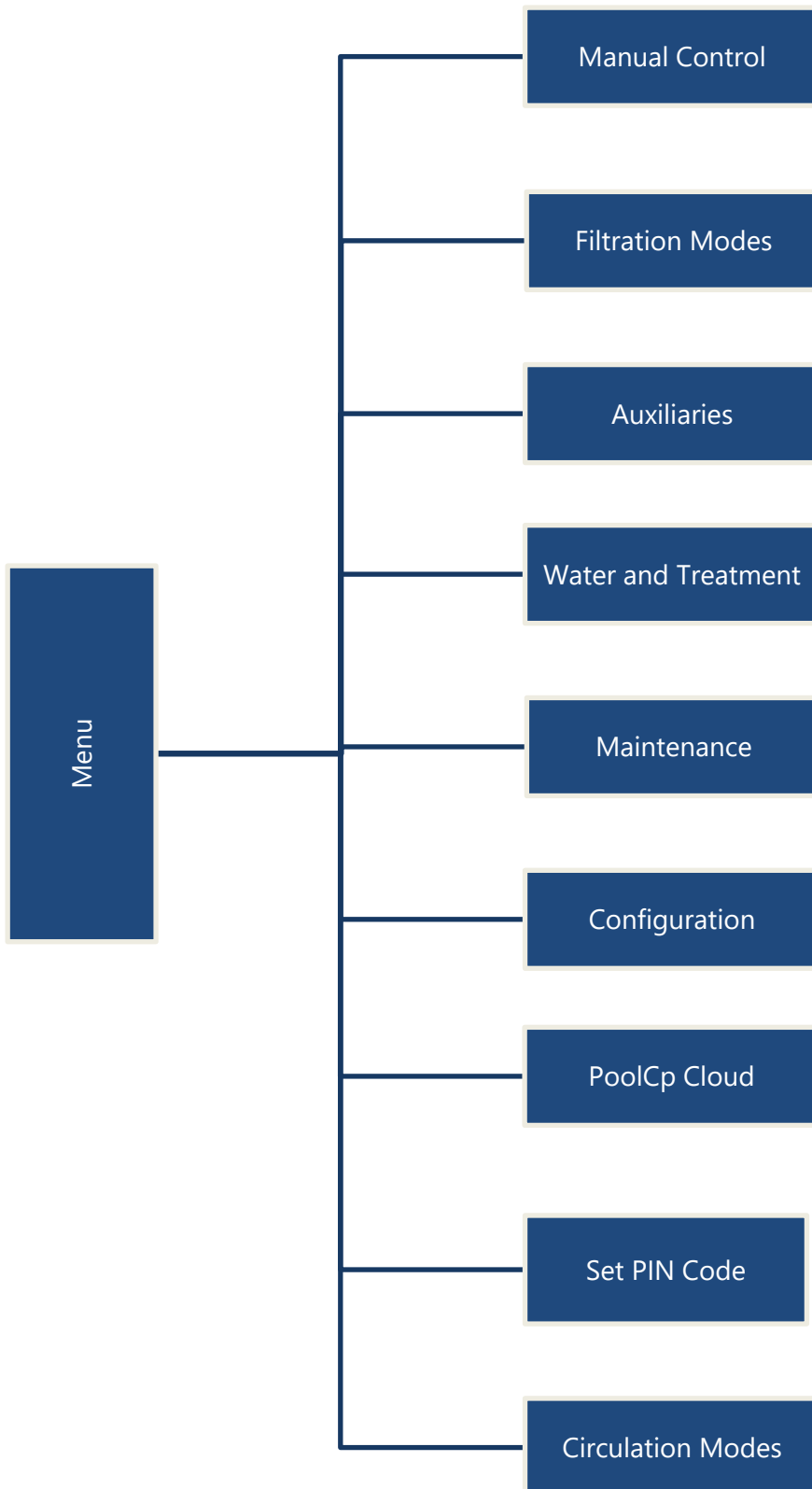
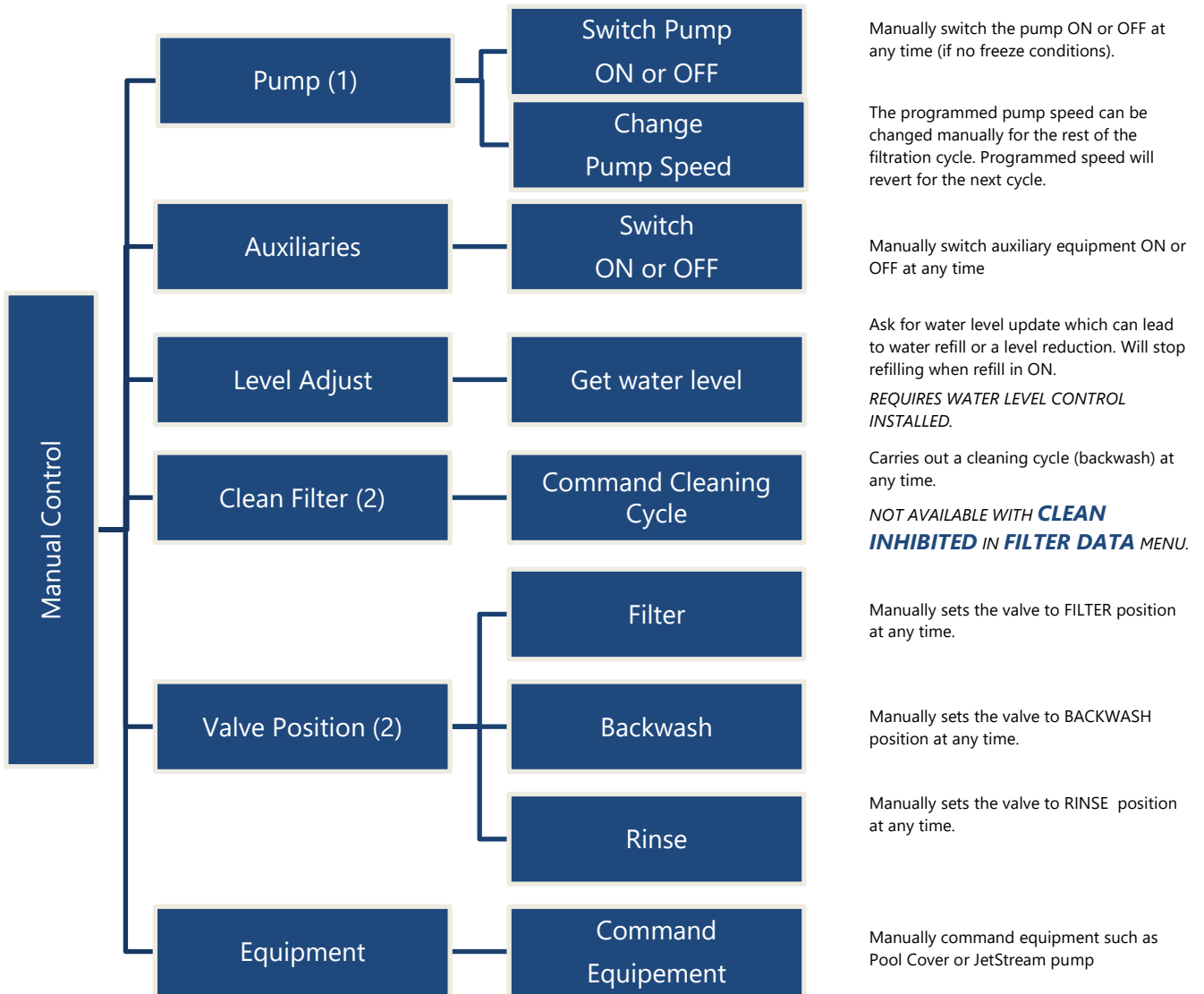


Figure 61 - DCCU Display and Keypad

4.3 MENUS



4.3.1 Manual Control

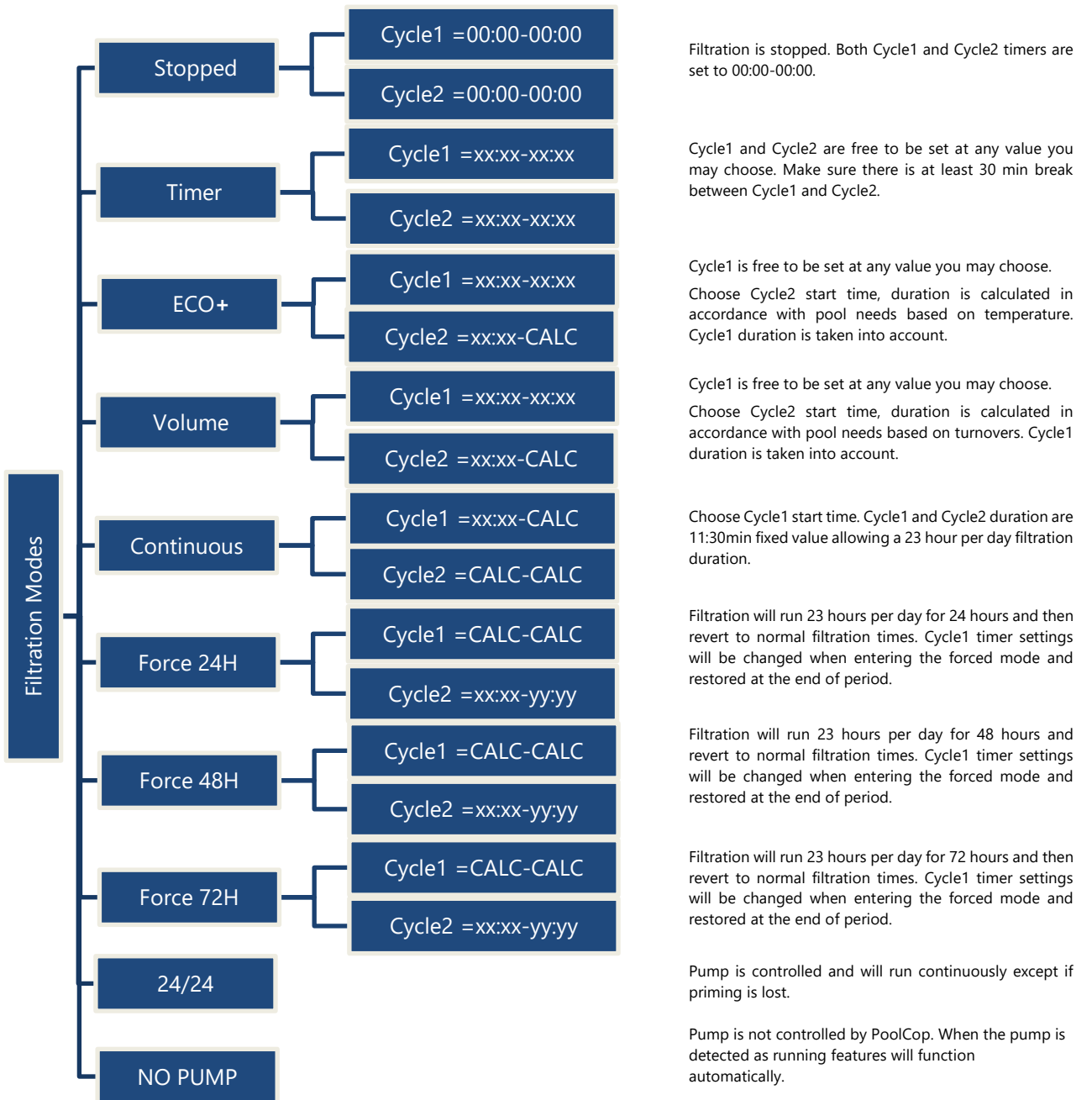


1. Not available of Filtration set in **NOPUMP** Mode.
2. Not available when cleaning valve is not configured.
3. Not available when rinse valve is not configured.

4.3.2 Filtration Modes

Program filtration timers and duration, manually or in automatic modes.

Whenever quitting the **FILTRATION MODES** menu, PoolCop checks and adjust the status of the pump and auxiliaries and switches them **ON** or **OFF** as required to match programmed run times.

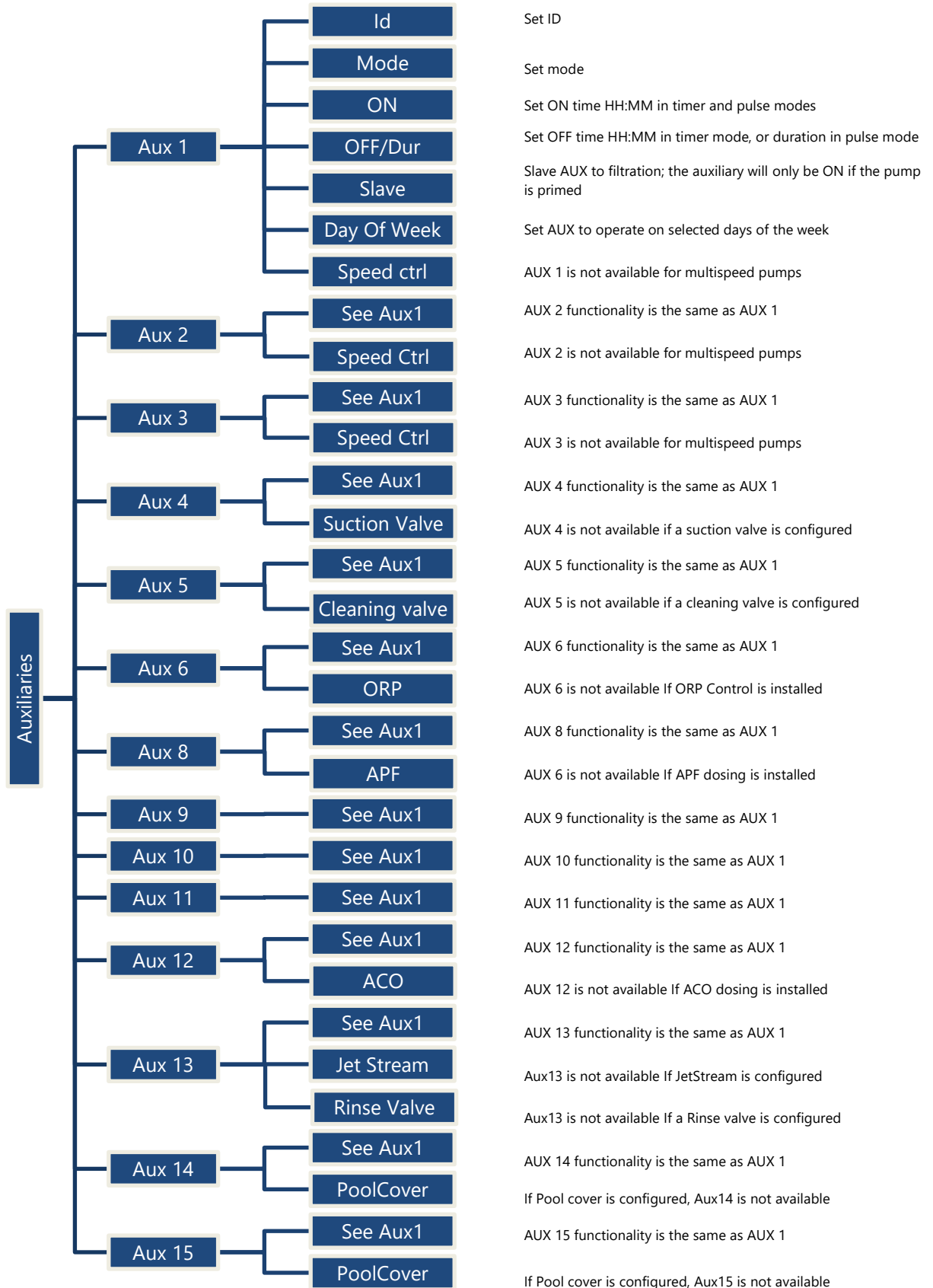


4.3.3 Auxiliaries

Program auxiliary timers and set them as slaved to run with the pump only, or on specific day.

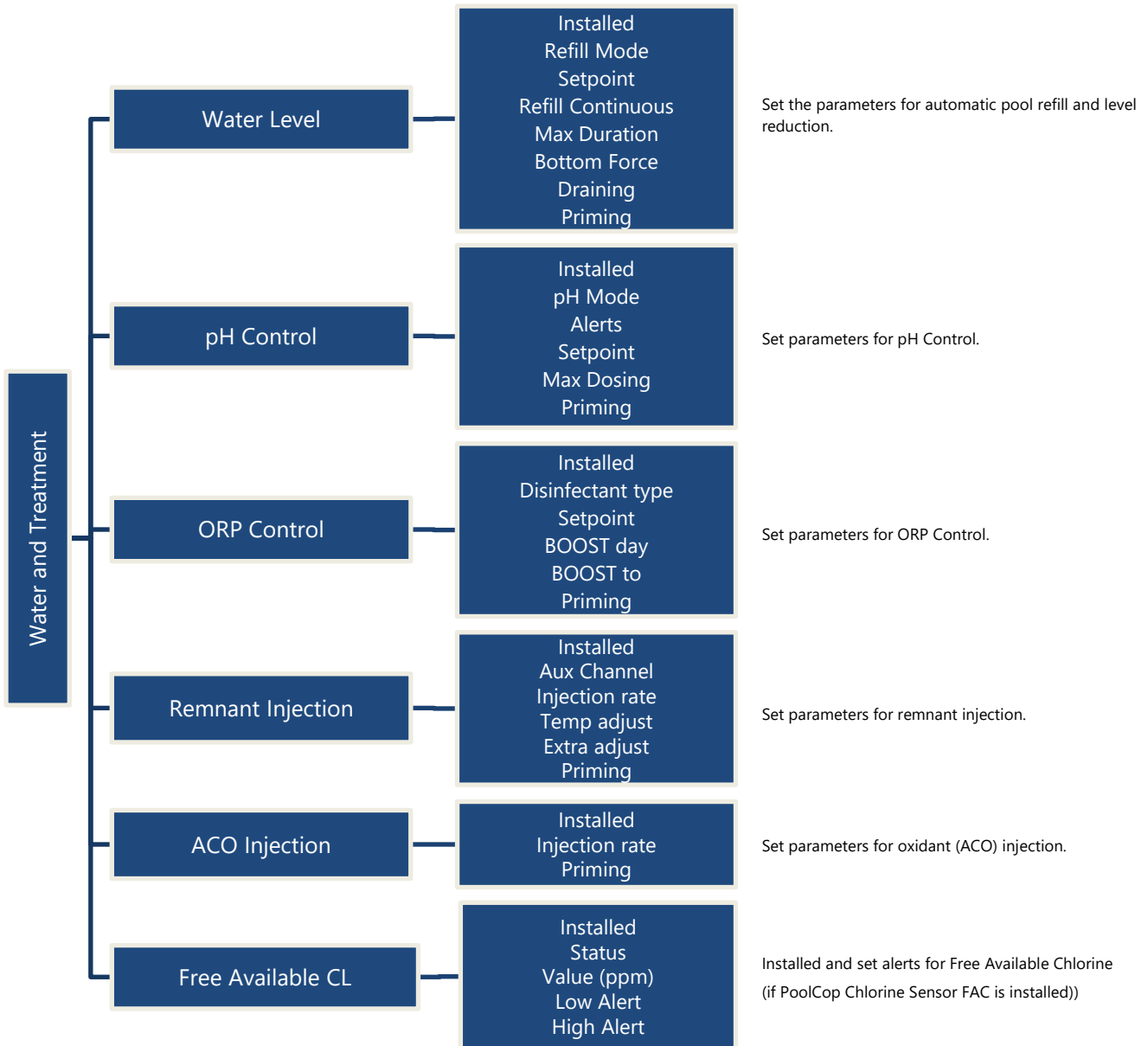
Whenever quitting the **AUXILIARIES** menu, PoolCOP checks and adjust the status of the pump and auxiliaries and switches them **ON** or **OFF** as required to match programmed run times. AUX channels operate in the same manner, but some channels may be required for specific functions.

Note: Aux 8 to Aux 15 only available with PoolCOP Extension Module.

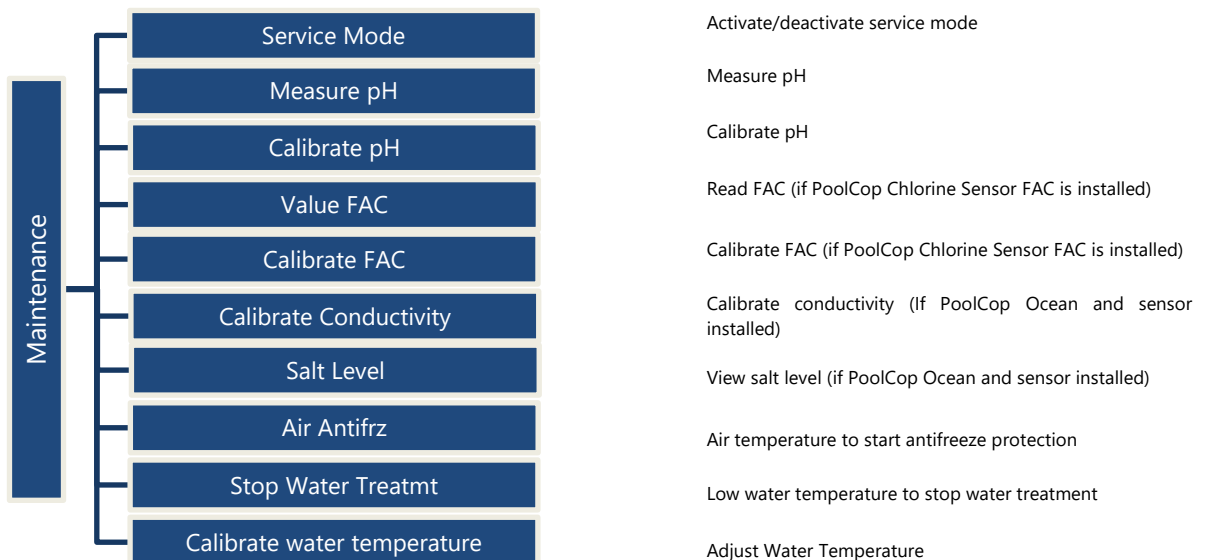


4.3.4 Water and Treatment

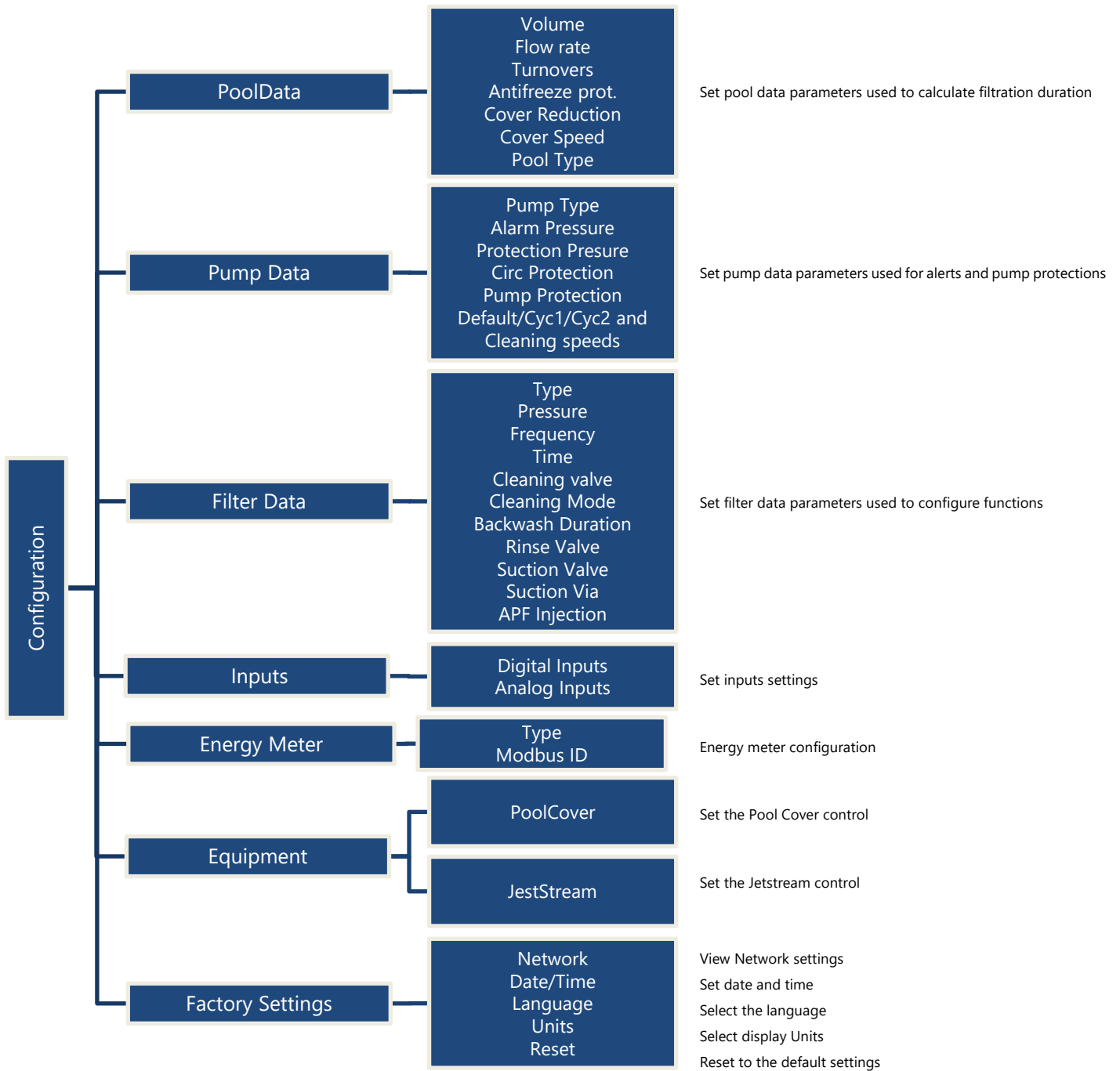
View and adjust various water level and treatment options available.



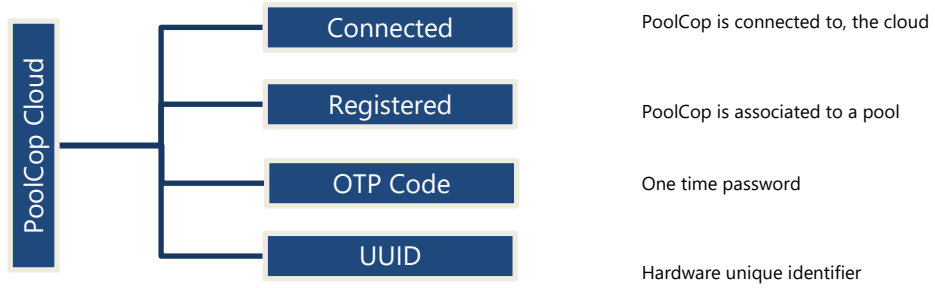
4.3.5 Maintenance



4.3.6 Configuration



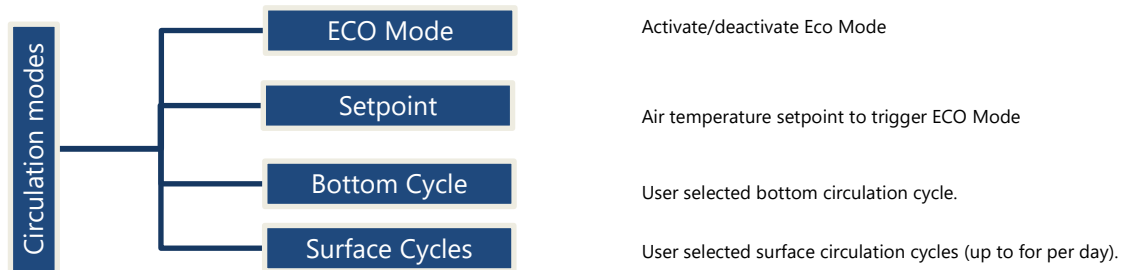
4.3.7 PoolCop Cloud



4.3.8 Set PIN Code



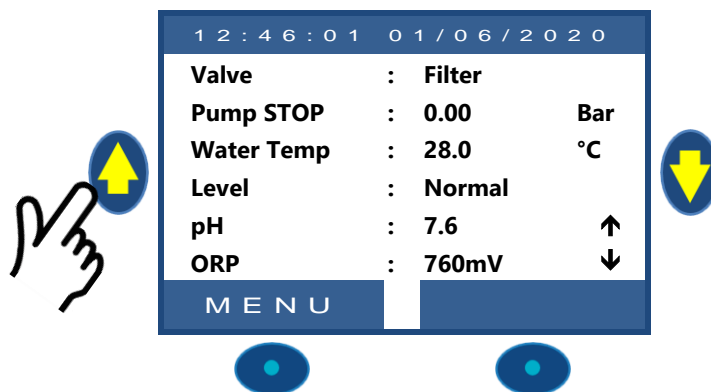
4.3.9 Circulation Mode (if suction valve is present)



4.4 USING AND SETTINGS

4.4.1 Illuminate the Backlight

Pressing any button illuminates the backlight.
The backlight remains on for 3 minutes.

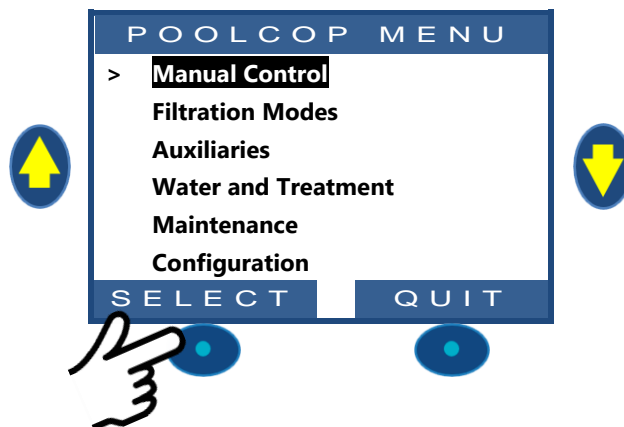


Note:

- Water temperature and air temperature are shown alternatively on the same row.
- An Up or Down steady arrow** may appear on the right of pH value: this will be the case if:
 - pH is controlled by PoolCOP (pH control is installed, and pH type is pH+ or pH-).
 - Up arrow: pH value is more than 0.1 above setpoint.
 - Down arrow: pH value is more than 0.1 below setpoint.
- Three blinking arrows** appear to the right of the 'pH' text if a dosing is in progress. Arrows oriented downwards for pH- dosage, upwards for pH+ dosage.
- An Up or Down steady arrow** may appear on the right of ORP value: this will be the case if:
 - ORP is controlled by PoolCOP (ORP control is installed and ORP type is different from "Read").
 - Up arrow: ORP value is more than 50mV above setpoint.
 - Down arrow: ORP value is more than 50mV below setpoint.
- Three blinking arrows** appear to the right of the 'ORP' text if a dosage is in progress. The arrows are oriented upwards to indicate that the assay seeks to increase the RedoX value.

4.4.2 Navigate the Menu

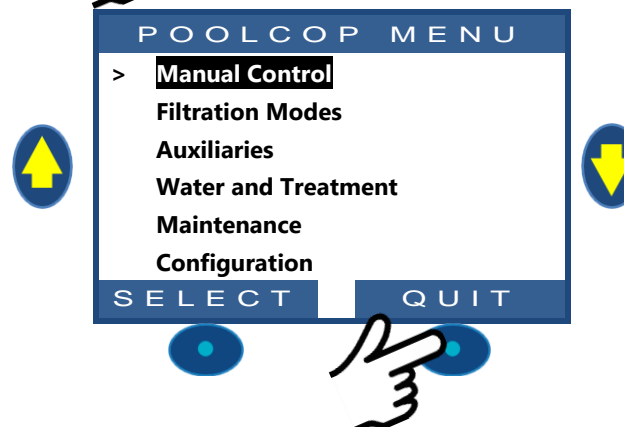
- Press the **MENU** button.
- POOLCOP MENU** is displayed.
- Use the **UP** and **DOWN** buttons to choose the submenu (in this case Manual Control), then press **SELECT** to go to that submenu.
- Repeatedly pressing **QUIT** to return to the main display.



4.4.3 Return to Main Display

When viewing any menu screen:

- Press **QUIT** to go up one menu level.
- Every display has a 15 second timeout to go back to the previous menu. The display will timeout to the main display within approximately 1 minute.



4.4.4 Filtration and Pump Control

These functions are not accessible when Filtration Mode has been configured as "NO PUMP".

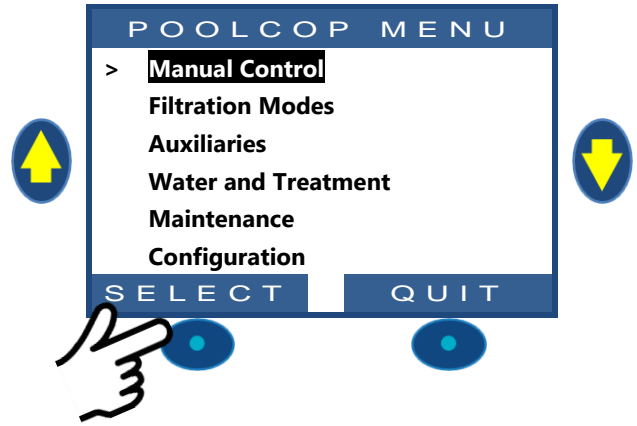
4.4.4.1 Switch the Pump ON/OFF

4.4.4.1.1 Start the Pump

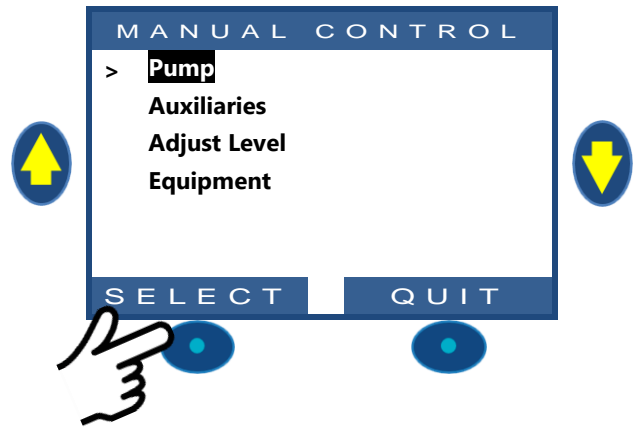
Normally, the filtration pump is controlled automatically by PoolCOP using filtration in manual timer or automatic modes. If, however you want to run the pump at another time or need to restart the pump after stopping it for any reason, this is done from **MANUAL CONTROL**.

From the main display screen:

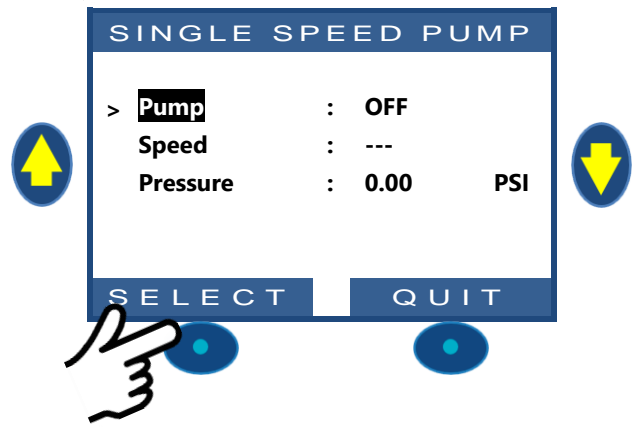
- Press **MENU**.
- Press **SELECT** (**MANUAL CONTROL** is preselected).



- Press **SELECT** (**PUMP** is preselected).

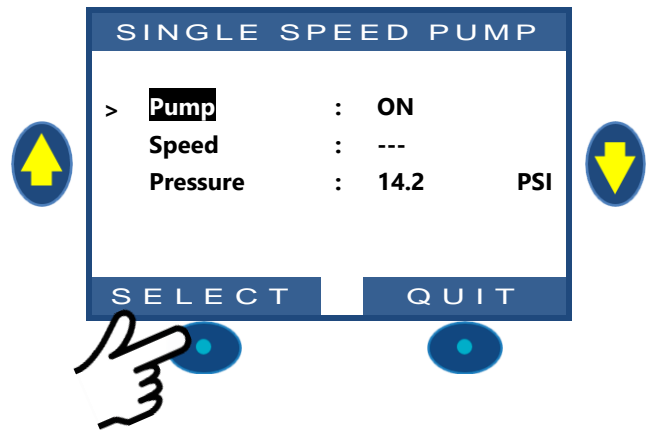


- Press **SELECT** (**PUMP** is preselected).
- Press **SELECT**; **PUMP: ON** will display.
- Press **SELECT**; the pump will run in the indicated valve position.
- Once the pump starts system pressure increases and this will be displayed.



4.4.4.1.2 Stop the Pump

- Navigate to pump **MANUAL CONTROL**.
- The pump will be **ON**, and pressure will be displayed.
- Press **SELECT** (**PUMP** is preselected).
- Press **SELECT**; **PUMP: OFF** will display.
- Press **SELECT**. The pump will stop, and pressure will reduce.



NOTE:

If the pump and filter are lower than the pool water level, head pressure will be displayed otherwise pressure will be zero.



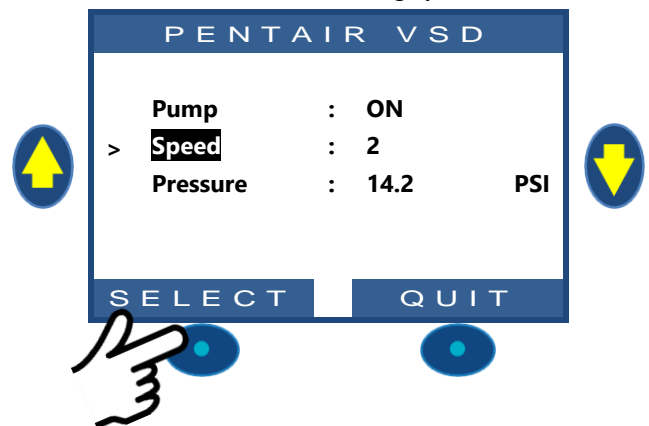
NOTE:

When freezing risk is detected and filtration started, the pump CANNOT be stopped until the temperature detected is higher than the protection setting, or the Protection Antifreeze is switched OFF in the Pool Data menu.

4.4.4.1.3 Change the Pump Speed

This feature is available with variable speed pumps only; for configuration see the **PoolCOP Variable Speed Pump Guide**. Pump speed is linked to filtration and Filter Cleaning Cycles; the speed can be changed by the user with the pump **ON** and this speed will be maintained until the next programmed Filtration Timer cycle commences or until the next filter cleaning cycle starts.

- Navigate to **MANUAL CONTROL** (**PUMP** is pre-selected).
- Press **SELECT**; Pump Manual Control displays.
- Select **SPEED**.
- Press **SELECT** and scroll **UP** or **DOWN** to select desired speed.
- Press **SELECT** to activate the speed.



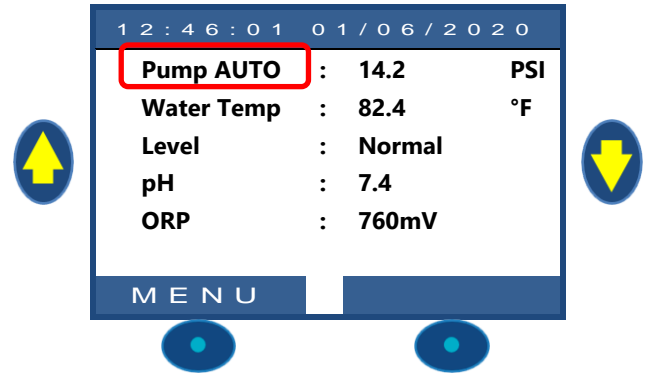
NOTE:

The number of speeds available depends on the pump specifications. PoolCOP sends the corresponding speed signal to the pump; due to pump design and features there can be a delay between selecting the speed and the pump reacting.

4.4.4.2 Understanding Pump Modes

On the PoolCOP main display, next to **Pump** you will see the **mode** in which the pump and filtration are running, or **OFF**.

The mode that has started and/or is now causing the pump to be on will be displayed. In this example, the pump is filtering in **AUTO** (see below) and current pressure displayed.



Pump Mode	What's happening now?	Water Treatment	What will happen next?
STOP	The filtration pump is OFF. No filtration cycles are defined.	OFF	The filtration will remain OFF as long as there is no filtration cycle or no manual command to start the pump.
MAN	The pump was started by the user, or by the external run pump command, and is running <u>outside</u> a programmed timer period	OFF	PoolCOP will revert to the programmed filtration cycles when the next timer starts.
TIMER	Filtration was started using user programmed timer settings in Cycle 1 and/or Cycle 2 in TIMER mode and is running inside a programmed timer period.	Active	PoolCOP will use fixed programmed timer settings to start and stop the filtration.
AUTO	Filtration was started by or has now entered the Filtration Timer cycle and is in an automatic mode.	Active	PoolCOP is optimizing the filtration duration based on measured temperature, as well as pool and pump data settings.
FORCE	Filtration is in Mode Forced, which was selected by the user in Manual Operations.	Active	Filtration will run for 23:00 per day for the duration selected (24, 48 or 72 hours). PoolCOP will then revert to the programmed filtration cycles when the next timer starts.
FRZ	Freezing risk detected, and filtration is running to use warmer water from the pool to reduce the risk of the pool or equipment freezing.	Active	30min after freezing risk has cleared, PoolCOP will revert to the programmed filtration cycles when the next timer starts.
PAUSE	Filtration is currently stopped because a filtration cycle ends or a manual command or an event stopped the pump.	OFF	Filtration will automatically restart with the next filtration cycle.
EXT	Filtration has been started because of an external request (via a configured Input).	OFF	Filtration will be running as long the external request is present, although it will respect the 2 x 1/2h pause per day.
LVL	Filtration has been started because of Very High Water level in buffer tank (infinity pools only).	OFF	Filtration will be running until a water level reduction is activated
24/24	Pump is running 24/24.	ON	Pump will run until manually ordered to stop or if priming is loss.

4.4.4.3 Filtration Duration Guidelines

Filtration is the first vital step in managing a pool. Good filtration (the filter and media in good condition and adequate filtration duration) reduces the organic matter and nutrients in the pool water and allows for stable and predictable water treatment. Poor filtration means that even high levels of chemical treatment may be unable to maintain the pool water in safe and healthy condition.



NOTE:

It is recommended to keep at least 60min of free time (no filtration) per day. This will permit pH measurement, and automatic pool refill if installed.



NOTE:

Water treatment (pH and disinfection) will only run if filtration cycles are programmed with at least one of the two filtration cycles set to an appropriate duration.



WARNING:

The filtration mode used will respect local and national code and regulations. In commercial pools 24/24 or NO PUMP modes are typically required.

4.4.4.3.1 Filter and Media

Ensure that manufacturer guidelines are followed for the chosen filter and media. Filter and filtration media in poor condition reduce filtration efficiency and increase running cost, whilst risking health due to algae and bacterial growth. Renew or clean the filter media periodically, as recommended by the manufacturer.

4.4.4.3.2 Hydraulic Coefficient

Adequate filtration depends on the hydraulic coefficient of the filtration.

$$\text{Hydraulic Coefficient} = \text{Pool Volume} / \text{Filtration Rate Per Hour}$$

Filtration Rate per Hour is the actual rate of filtered water returning to the pool.

In a correctly designed swimming pool, the hydraulic coefficient will be 4 to 6; a coefficient lower than 4 results in increased energy costs and a coefficient over 6 can result in inadequate filtration. This coefficient can be compensated if above 6 by adding filtration duration.

When calculating filtration duration in all automatic modes, PoolCOP takes the hydraulic coefficient into account and adjusts the filtration duration accordingly.

4.4.4.3.3 Timer Based Filtration

In **TIMER** mode, filtration durations are not managed by PoolCOP but chosen by the end user who must then make sure to correctly set the duration according to pool needs. A too long duration will waste energy and a too short one may not allow to keep the pool in good conditions.

4.4.4.3.4 Temperature Based Filtration

In **ECO+** mode, PoolCOP uses measured temperature to calculate filtration duration. Duration is recalculated daily to optimize filtration:

- Significant savings are made in the off seasons by reducing filtration duration during the cooler months.
- Increased water temperature requires longer filtration time. So, during summer the filtration time is increased, which is very effective at eliminating nutrients which cause bacteria and algae to proliferate.
- Pump (and other equipment) life expectancy is extended, as use and wear is minimized.

4.4.4.3.5 Volumetric Based Filtration

The filtration duration must circulate the pool water at least once during a day.

When automatically calculating filtration duration in **VOLUME** mode, PoolCOP takes entered volumetric turnover data (Pool Volume, Flow Rate, Turnovers) into account and adjusts the filtration duration accordingly.

4.4.4.3.6 Continuous Filtration

With multi speeds pumps and especially when pump is running at low speed, it makes sense to set the filtration to 23 hours per day in such a case, the filtration is not managed by changing the duration but by adjusting pump speed. In **CONTINUOUS** mode, filtration will run 23/24.

4.4.4.3.7 Forced Filtration: 24h, 48h or 72h

PoolCOP normally runs on timers and on automatic modes, adjusting the filtration duration as required. When required however, forced running of the pump in **FILTER** can be selected. This allows a fixed length filtration duration which is useful under certain conditions.

FORCED mode changes Filtration Timer Cycle 1 times. When the forced duration is completed, previous settings for Cycle 1 are restored. This mode does not affect Cycle 2 settings.

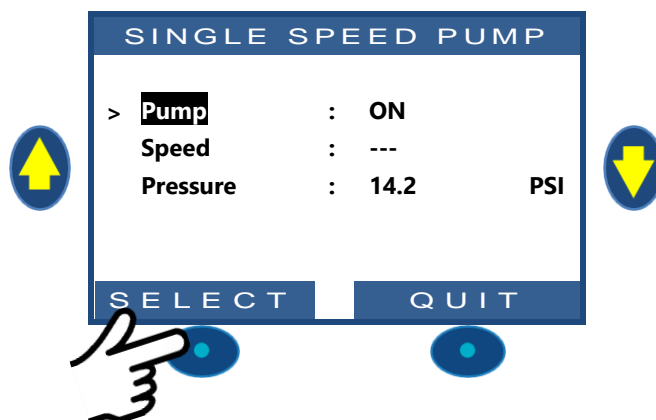
In **FORCED** mode, the maximum daily duration is limited to 23:00; with either one or two stopped periods to allow for PoolCOP measurement functions and daily self-test to occur. Normal automatic filter cleaning may occur during **FORCED** mode. Water treatment is active during this mode.

The time remaining in Forced mode is displayed in whole hours on the pump Manual Control screen and on Filtration Mode screen. Any active forced filtration mode is deactivated when the duration has expired, and the Filtration Timer cycles will resume normal control as programmed.

Forced mode can be cancelled by stopping the pump manually or by changing the **filtration mode**.

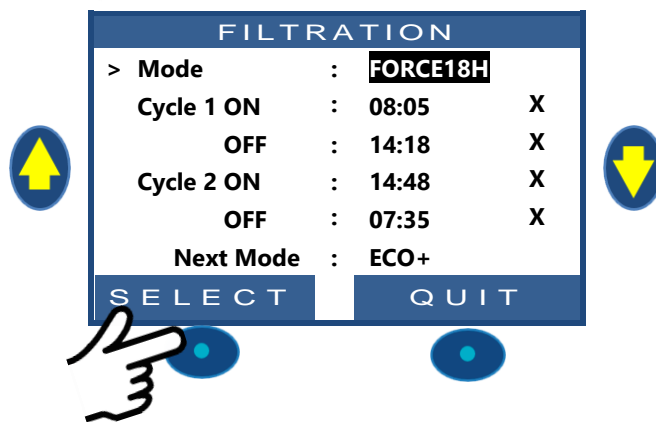
Stop the Pump

- Navigate to **PUMP** in the **MANUAL CONTROL** menu.
- The pump will be **ON**, and pressure will be displayed.
- Press **SELECT** (**PUMP** is preselected).
- Press **SELECT** (**PUMP: OFF** will display).
- Press **SELECT**. The pump will stop, and pressure will reduce.



Mode Change

- Navigate to **MODE** in the **FILTRATION MODES** menu.
- The mode will be **FORCE**, remaining time (**18** Hours in this example) and the subsequent mode (**ECO+** in this example) will be displayed.
- Press **SELECT** (**MODE** is selected).
- Use the ARROWS to change mode.
- Press **SELECT** to validate the new mode.



NOTE:
Forced mode is not cancelled during automatic or user launched Filter Cleaning Cycles.

4.4.4.3.8 24/24 Filtration

In commercial pools and low speed filtration pools, filtration must run 24 hours per day due code, regulations or the application. Use the **24/24** mode.



NOTE:
24/24 Mode is required for many commercial pools according to code and regulations.

4.4.4.3.9 NO PUMP Control Filtration

If the filtration pump is not electrically controlled ON/OFF or for speed by the PoolCop, use **NO PUMP** mode.



NOTE:
24 hour filtration is required for many commercial pools according to code and regulations.

4.4.4.4 Set and Adjust Filtration

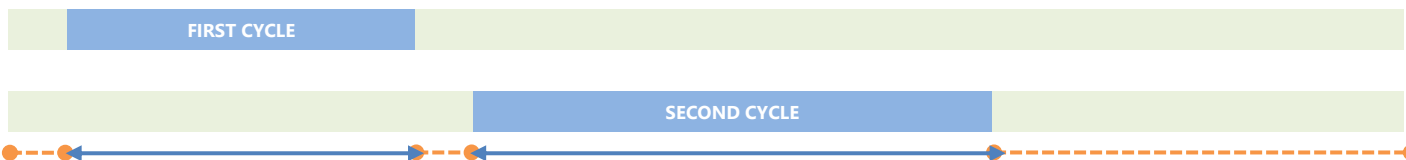
PoolCop allows you to manually or automatically control the filtration duration. See programming guide (Section 4) for more information on filtration

Whenever quitting the **FILTRATION MODES** menu, PoolCop checks and adjust the status of the pump and auxiliaries and switches them **ON** or **OFF** as required to match programmed run times.

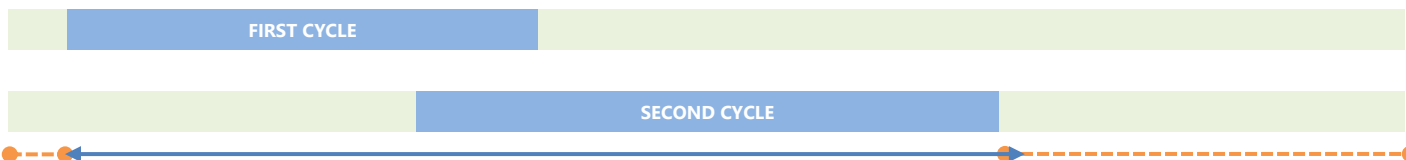
4.4.4.4.1 Filtration Timers and Modes

- Navigate to **FILTRATION MODES** in the POOLCOP MENU.
- Select the **MODE**.
- Use the **UP** and **DOWN** arrows to adjust the **ON** and **OFF** times.
- Use the **SELECT** button to enter the adjusted value.

Unless using **24/24** mode or **NO PUMP** mode, it is recommended to set both filtration cycles (Cycle 1 and Cycle 2) for best results. It is recommended to leave a gap of at least 30 minutes between two timer cycles to allow PoolCop to take necessary measurements make subsequent adjustments and carry out the periodic backwash if selected.



If, however the timers are set to overlap, then the total filtration time will be from the earlier cycle **ON** time until the later timer **OFF** time.



It is **recommended** to never exceed 23:00 per day, to allow PoolCop to take necessary measurements, make subsequent adjustments and carry out the periodic backwash if selected.



4.4.4.5 Antifreeze Protection

The internal antifreeze protection will start the filtration if low temperatures are detected.

This protects me in areas where running the pool all year round is possible and protects against short periods of cold weather.

Protection Antifreeze can be configured **ON** in the **POOL DATA** menu (the default is **ON**).

Freezing presents risks to pools and pool equipment. Expansion of the water as it moves from the liquid to the solid state can crack pipes and burst fittings, as well as the filter and the pump body.

PoolCop has two means of detecting a freezing risk. It is recommended that BOTH freezing protections be utilized, and that freezing protection be selected **ON** in the **POOL DATA** menu throughout the year.



CAUTION:

PoolCop freezing protections can only assist in the protection of equipment. PoolCop cannot guarantee that damage will be avoided under all circumstances, as this depends on many factors. No responsibility will be accepted for damage caused due to freezing.



NOTE:

When freezing risk is detected and filtration is started, the pump CANNOT be stopped until the temperature detected is higher than the protection setting, or the Protection Antifreeze is switched OFF in the Pool Data menu.

4.4.4.5.1 Internal Freezing Protection (for Pool Equipment)

Internal temperature sensing detects low temperature and starts the filtration to move warmer water from the pool through the plumbing to reduce the risk of damage due to freezing, if the protection is **ON**. This protects equipment in the pump and filter area to a certain degree.

If the Water Temperature Sensor detects a temperature below 2°C (35.6°F), the Alert "**WARN: FREEZING RISK**" will display if freezing protection is **OFF**, or freezing protection will be activated if freezing protection is **ON** in **POOL DATA** menu. The filtration will run at all times that the temperature is less than 2°C (35.6°F), and will continue for a period of 30 minutes after the temperature rises above 3°C (37.4°F).

4.4.4.5.2 External Freezing Protection (for the Pool)

There can be great differences in temperature between the pump and filter installation and the pool itself. The optional Air Temperature Sensor is highly recommended so that external air temperature can be used to alert to the risk of freezing and start filtration.

If the optional Air Temperature Sensor is fitted, measured temperature is used to trigger antifreeze protection when temperature is below the desired setting (see 5.5.2 Air Anti-Freeze). The Alert "**WARN: FREEZE RISK**" will display if protection is **OFF**, or freezing protection will be activated if freezing protection is **ON** in **POOL DATA** menu. The filtration will run at all times that the temperature is below the threshold and will continue for a period of 30 minutes after the temperature rises above the threshold.

Alternatively, an external thermostat can be installed and connected to an input channel so that external air or water temperature can be used to alert to the risk of freezing and start filtration. When an external thermostat sensor is connected and configured on one of the inputs and detects a temperature lower than the thermostat settings, the Alert "**WARN: FREEZE RISK**" will display if protection is **OFF**, or freezing protection will be activated if freezing protection is **ON** in **POOL DATA** menu. The filtration will run at all times that the temperature is less than the trigger temperature set on the external thermostat and will continue for a period of 30 minutes after the temperature rises above the set trigger temperature.



CAUTION:

When freezing risk is detected and filtration is started but pump DO NOT PRIME, the alert "WARN: FREEZE RISK" will warn the situation cannot be managed by PoolCop. This requires immediate intervention.

4.4.5 Water Level Control

4.4.5.1 Automatic Water Level Control

The optional Water Level Kit is required for automatic water level control. The water level controller measures the level when the filtration stops. The water level will be replenished automatically when level is below setpoint (**NORMAL** or **HIGH**) provided that **REFILL MODE** is set to **REFILL** or **AUTO**. The water level controller will only replenish whilst the pump is **OFF**. When the pump starts the valve closes automatically unless continuous filling has been selected. **To allow water level measurement, and for all modes except 24/24 and No Pump modes, pump should be stop at least 30 minutes between each filtration cycle.**

The water level will be reduced automatically when above setpoint (**HIGH** or **V_HIGH**) level is detected provided that **REFILL MODE** is set to **REDUCE** or **AUTO**. With filter **CLEANING: AUTO**, cleaning cycles will be commanded to reduce the level; with cleaning **INHIBITED** or **MANUAL**, the water is sent to waste.

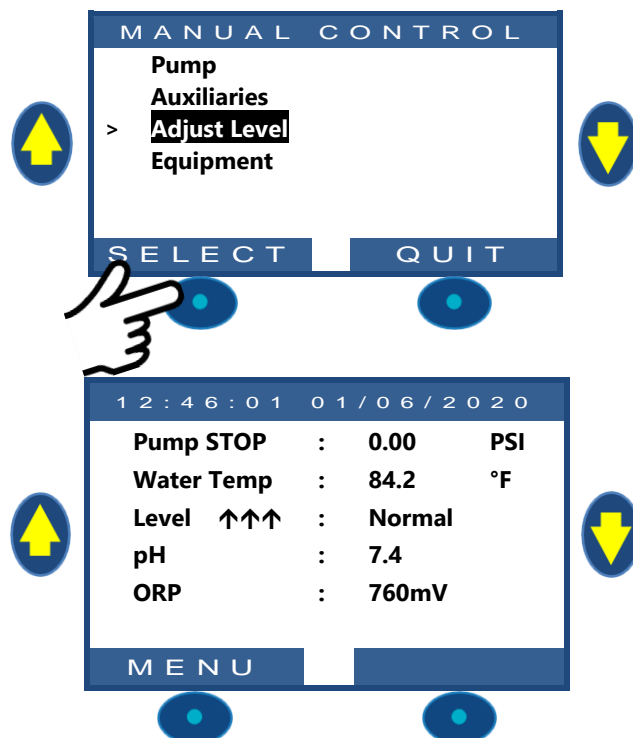
4.4.5.2 Refill Pool Manually

- ❑ If running, stop the pump in **MANUAL CONTROL**.
- ❑ In the **MANUAL CONTROL** menu, select **ADJUST LEVEL**.
- ❑ Press **SELECT**, then after level reading:
 - If level is below setpoint, the pool refills.
 - If level is above setpoint nothing will happen.

If level is **HIGH** or **V.HIGH** a water level reduction may occur within 15 minutes

When water refill is ongoing, blinking vertical UP arrows (↑↑↑) are shown on the main screen, close to "Level" text.

If the refill is stopped manually (using Manual control/Pool refill) arrows will be change to dots (•••).



4.4.6 Water Treatment

See 3.5 Installing Water Treatment.

4.4.7 Auxiliary Control

Auxiliaries have one cycle in every 24-hour period.

Auxiliaries can be set to slave mode i.e. to run only when the filtration runs. It is recommended to use the slave mode for any auxiliary that depends on filtration flow rate (such as heating, cleaners, water treatment, etc.).

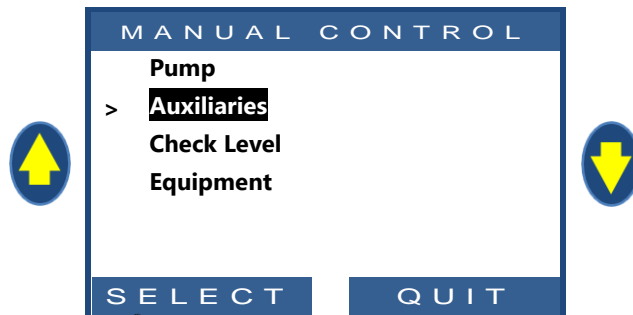
Auxiliaries can be set to run on certain day(s) of the week. This is done by choosing days **ON** and days **OFF** within the week.

Setting any timer to 00:00-00:00 (or any combination with same start and stop times) deactivates that timer.

Whenever quitting the **AUXILIARIES** menu, PoolCop checks and adjust the status of the auxiliaries and switches them **ON** or **OFF** as required to match programmed running times.

4.4.7.1 Switch Auxiliaries ON/OFF

- Navigate to **MANUAL CONTROL**.
- Scroll **UP** or **DOWN** to place cursor at **AUXILIARIES**.
- Press **SELECT**.



- Scroll **UP** and **DOWN**: place cursor at the desired Auxiliary.
- Press **SELECT**: the auxiliary will switch **ON** or **OFF**



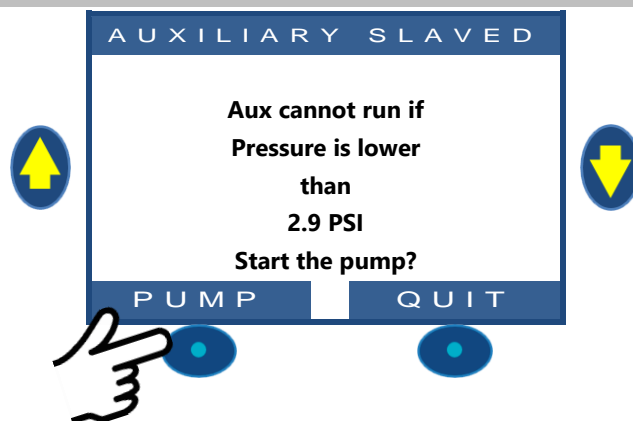
NOTE:
Undefined Auxiliaries (indicated as "Available" cannot be switched ON/OFF.
 To set an Auxiliary name, see Erreur ! Source du renvoi introuvable. Erreur ! Source du renvoi introuvable.



NOTE:
If the Auxiliary is slaved to filtration and the pump is not ON or not primed, you will be prompted to start the pump (unless Filtration Mode is not set for "NO PUMP")

If auxiliary is slaved, the pump must be primed before switching the Aux to **ON**. Pump will be declared primed when pump is **ON**, pressure is above the protection pressure setting and flow is detected at the flow switch (see 0).

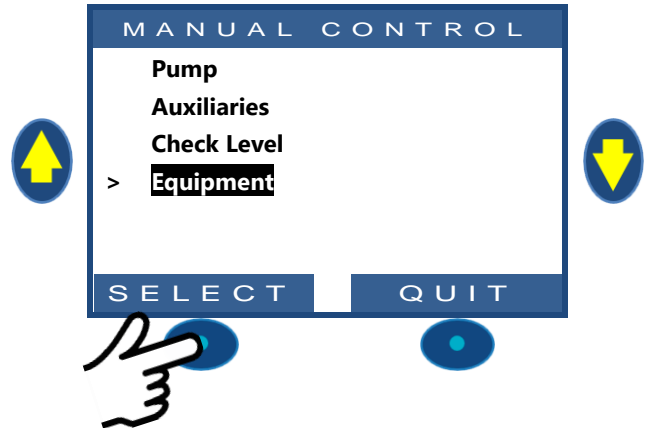
- To start the pump, press **PUMP** button to jump to the pump command page, otherwise press **QUIT**.



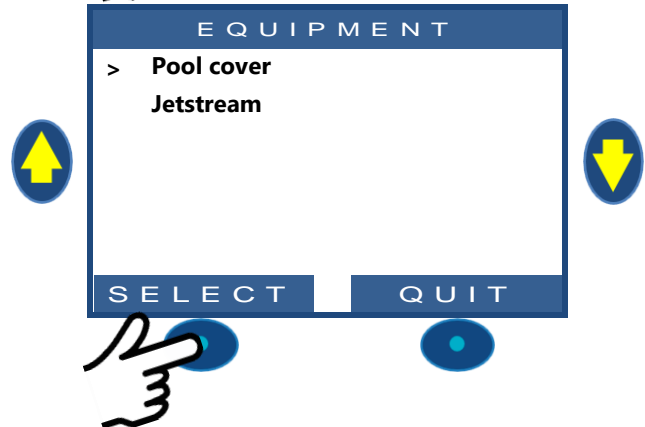
4.4.8 Equipment Control (requires XM8 Extension Module)

Equipment are specific devices such as Pool Cover, Jetstream.

- Navigate to **MANUAL CONTROL**.
- Scroll **UP** or **DOWN** to place cursor at **EQUIPMENT**.
- Press **SELECT**.



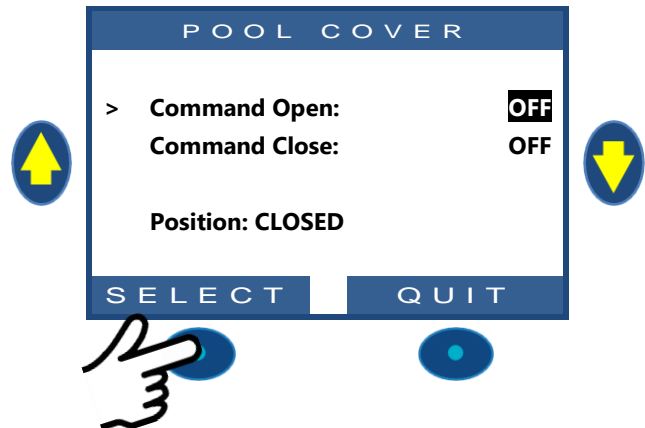
Scroll **UP** or **DOWN** to select the equipment you want to control (depending on the actual configuration)



4.4.8.1 Pool Cover

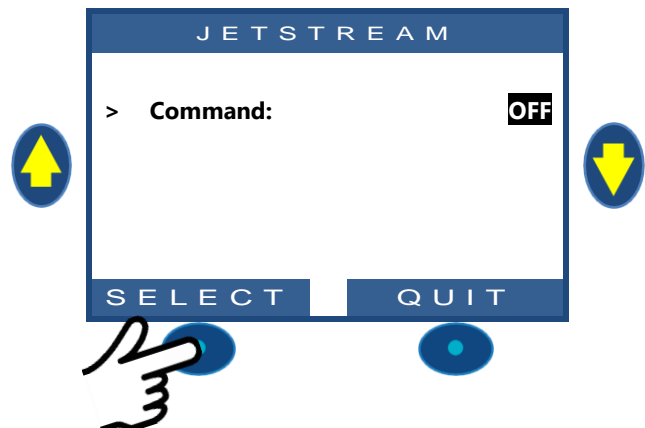
- Scroll **UP** or **DOWN** to select the action to be executed.
- Press **SELECT** to launch the command.

When both commands are **OFF**, the motor is stopped.
Actual cover position is shown.



4.4.8.2 Jetstream

- Command is preselected
- Press **SELECT** to start or stop the equipment.



4.4.9 Service Mode

In service mode, PoolCOP stops all automatic actions.

Service mode can be activated directly from the main screen by simultaneously pressing the **UP** and **DOWN** arrows

Every simultaneous action on both arrows will toggle the service mode.



1 2 : 4 6 : 0 1 0 1 / 0 6 / 2 0 2 0		
Pump STOP	: 0.00	PSI
Water Temp	: 84.2	°F
Level	: Normal	
pH	: 7.4	
ORP	: 760mV	
MENU		



When in service mode, extra service screens are available. These screens display: Pump and Aux statuses, Inputs statuses, and water level status. To display these screens, press either **UP** or **DOWN** arrows.

Display will return to main screen after 5 minutes of inactivity.

The first service screen displays pump and Aux statuses.

- Press **UP** to display Auxiliaries and pump status
- Press **QUIT** to return to main screen



AUXILIARIES					
PUMP: ON					
01:	OFF	06:	OFF	11:	OFF
02:	OFF	07:	OFF	12:	OFF
03:	OFF	08:	OFF	13:	OFF
04:	ON	09:	OFF	14:	OFF
05:	OFF	10:	OFF	15:	OFF
QUIT					



The second service screen displays inputs statuses.

- Press **UP** again to display Inputs
- Press **QUIT** to return to main screen



INPUTS			
01:	OFF	06:	OFF
02:	OFF	07:	OFF
03:	OFF	08:	OFF
04:	ON	09:	OFF
05:	OFF	10:	OFF
QUIT			



The third service screen displays water level sensor detail.

- Press **UP** again to display water level
- Press **QUIT** to return to main screen



WATER LEVEL		
(WL) Prot	: OFF	
(WL) High	: ON	
(WL) Low	: ON	
Level	: High	
QUIT		



Remember that the water level function requires the sensor studs to sense water level (see 3.6.2 Water Level Control). Slots are reported **ON** when they are in contact with water.

(WL) Prot is the topmost stud.

(WL) High is the third stud from bottom.

(WL) Low is the second stud from bottom.

COMM the common is the lowest stud.

4.5 TROUBLESHOOTING AND ALERTS

4.5.1 General Troubleshooting

4.5.1.1 Pool Water Quality Not Good

- Refer to 2.4 Routine Maintenance.
- Refer to 3.5 Water Treatment.
- Contact the qualified technician for assistance and advice.

4.5.1.2 PoolCOP Unresponsive

If nothing is displayed on the PoolCOP screen, check:

- PoolCOP responsive to buttons.
- Mains power supply connected and PoolCOP switched ON at DCCU
- PoolCOP DCCU fuses (use 125mA slow blow mini fuse).
- Contact a qualified technician for assistance.

4.5.1.3 pH or ORP Measurement Unstable or Erratic

Unstable readings of pH or ORP can be caused by a number of factors. Check the following:

- Check for stray micro currents.
- Verify sensor condition and age.
- Contact a qualified technician for assistance.

4.5.1.4 Temperature Indicating Unusually High

Temperature indicating high is caused by a short circuit in the temperature sensor.

- This could be caused by corrosion or by humidity.
- Check for water
- Contact a qualified technician for assistance.

4.5.2 Electrical Power Failure

4.5.2.1 Main AC Power Fails or is Disconnected

- All functions will be de-activated automatically, and PoolCOP will power down.
- The display screens will go blank, but no settings will be lost.
- The "Power" LED on the DCCU will extinguish.
- The "Supply" LED on the DCCU will extinguish.

4.5.2.2 Main AC Power is Restored

When PoolCOP detects that the main AC power supply has been restored:

- PoolCOP will power up and reactivate all the functions and timers.
- All settings are restored, and no reprogramming of PoolCOP is required.
- The saved history of Pool Refills is reset to zero.

4.5.3 Alerts and System Messages

An Alert or a System Message is the way PoolCOP notifies you of something out of the ordinary.

The **ALERT** button flashes to attract your attention. Alerts can be one of four types:

- REMIND: a task that should be done soon to prevent any deterioration of pool condition.
- WARN: an occurrence or event that needs your attention.
- ERROR: something has gone wrong, but PoolCOP is functioning.
- FAILURE: PoolCOP has stopped functioning.

Selecting an Alert will allow it to be reset and cancelled, if:

- The alert condition has been rectified.
- The alert condition is not currently active.

An Alert which is still active will re-appear as you leave the alert page, even if reset.

4.5.3.1 Alerts list and troubleshooting

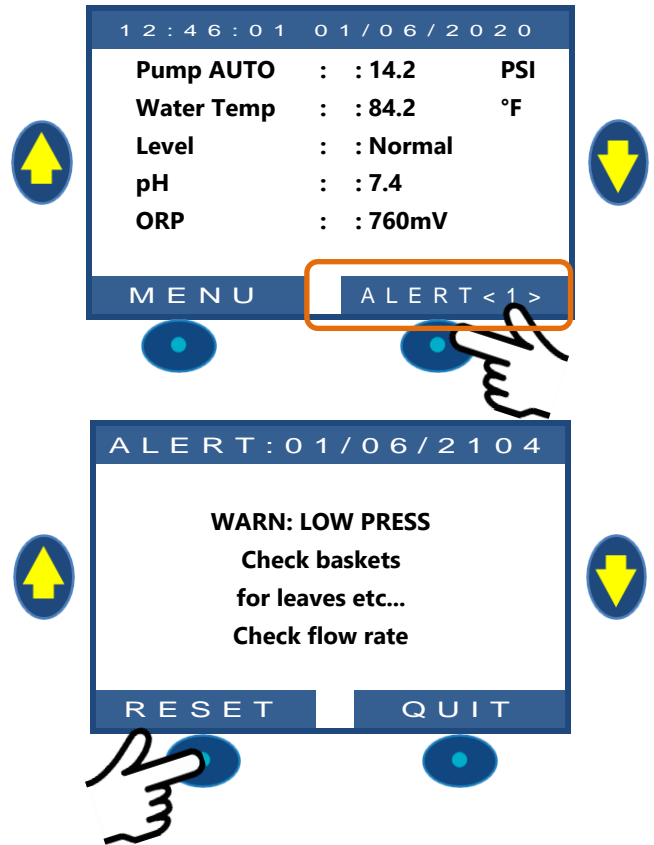


NOTE:

The alerts list, the alert triggers and the troubleshooting corrective guidelines are detailed in the TROUBLESHOOTING MANUAL downloadable on www.poolcop.com in resources/downloads.

4.5.3.2 View and Reset Alerts

If an alert is active, the **ALERT** button will flash, the number of actives alerts is displayed in brackets.
Pressing the **ALERT** button will display the alert.



If there are multiple alerts, using the **UP** and **DOWN** arrows scrolls through the alert messages.
Pressing the **RESET** button will reset the displayed alert.

Section 5 PROGRAMMING GUIDE

5.1	Prior to Commencing Programming	76
5.1.1	Clean the Filter	76
5.1.2	Check Water Level	76
5.1.3	Test and Balance Water	76
5.1.4	Understanding Pressure setting parameters	76
5.2	Filtration Mode Menu	77
5.2.1	Mode	77
5.2.2	Cycle 1 Times	78
5.2.3	Cycle 2 Times	78
5.3	Auxiliaries Menu	79
5.3.1	Auxiliary ID	79
5.3.2	"Aux" Mode	80
5.3.3	"Aux" Times (Timer Mode)	80
5.3.4	"Aux" Time and Duration (Pulse Mode)	80
5.3.5	"Aux" Heating Temperature (Filtration/Priority/Schedule Modes)	80
5.3.6	"Aux" Slave	81
5.3.7	Aux Days of the Week	81
5.4	Water and Treatment Menu	82
5.4.1	Water Level	82
5.4.2	pH Control	85
5.4.3	ORP Control	87
5.4.4	Remnant Injection	89
5.4.5	FreeAvailable CL	90
5.5	Maintenance	91
5.5.1	Service Mode	91
5.5.2	Measure pH	91
5.5.3	Calibrate pH	91
5.5.4	Value FAC	92
5.5.5	Calibrate FAC	92
5.5.6	Air Anti-Freeze	92
5.5.7	Stop Water Treatment	92
5.5.8	Adjust Water Temperature	92
5.6	Configuration Menu	93
5.6.1	Pool Data	93
5.6.2	Pump Data	95
5.6.3	Filter Data	97
5.6.4	Inputs	103
5.6.5	Factory Settings	105
5.6.6	Equipment	Erreur ! Signet non défini.
5.7	PoolCOP Cloud	110
5.7.1	Connected	110
5.7.2	Registered	110
5.7.3	OTP Code	110
5.7.4	UUID	110

5.1 PRIOR TO COMMENCING PROGRAMMING

5.1.1 Clean the Filter

Ensure that the filter media is properly maintained and cleaned as per the manufacturer's instructions and code requirements.

5.1.2 Check Water Level

Refill the pool to the normal level, to ensure accurate pressure and other readings.

5.1.3 Test and Balance Water

It is strongly recommended that the pool water be analyzed and balanced prior to programming any water treatment features.

5.1.4 Understanding Pressure setting parameters

Pressure management is used widely to control filtration management. Settings are defined in:

- ❑ Pump Data Menu (see 5.6.2)
- ❑ Filter Data Menu (see 5.6.3)

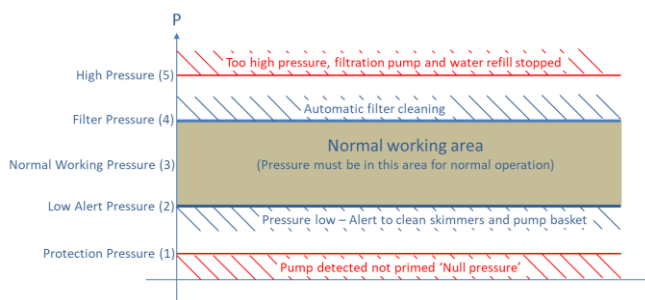


Figure 62 - Pressure setting parameters.

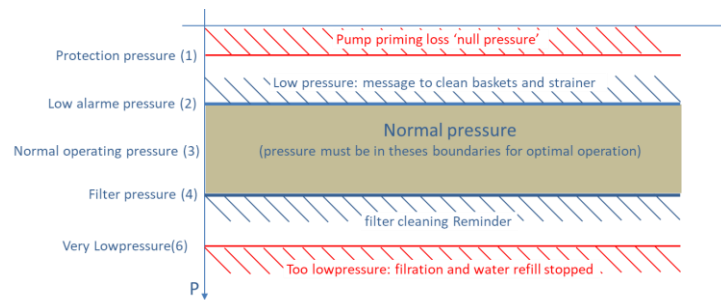


Figure 63 - Suction setting parameters.

(1) Protection Pressure (Pump Data): Determines if pump is primed or not.

- When pressure is below Protection Pressure, pump is considered not primed.
- Pump protection will be triggered after 8 minutes if pressure remains below Protection Pressure and if protection is set ON.

(2) Low Alert Pressure (Pump Data): Determines that filter pressure is below the normal range, but water circulation is flowing.

- Pump is considered primed but with low efficiency due low pressure/flow.
- An alert will be triggered if pressure is below Protection Pressure when the pump is running.
- Alert message proposes cleaning skimmer baskets and pump pre-filter strainer.

(3) Normal Pressure: Determines the normal working pressure range of the pump.

- For best results, pressure must be in this area when filtration is running.
- With variable speed pumps, all speeds (except filter media cleaning speed) must be within this range.

(4) Filter Cleaning Pressure (Filter Data): Determines the pressure at which filter media cleaning is required.

- If pressure is at or above this value for 5 minutes continuously, an alert to clean the filter is triggered.

(5) High Pressure (Fixed Value): fixed 1.9 bar (27.5 PSI) value to protect pump, filter and other equipment's in the pump house.

- In all modes except **NO PUMP** mode, the pump and water refill (if installed) will stop immediately and an alert message is triggered.
- In **NO PUMP** mode, water refill (if installed) will stop immediately, and an alert message is triggered.

(6) Very Low Pressure (Fixed Value): fixed -0.85 bar (-12.3 PSI) value to protect pump, filter and other equipment's in the pump house. In all modes the pump and water refill (if installed) will stop immediately, and an alert message is triggered. Pump will not stop in **NO PUMP** mode.

5.2 FILTRATION MODE MENU

Set the duration and times for daily filtration.

The filtration timer has two cycles in any 24-hour period, Cycle 1 and Cycle 2; these cycles are pre-set or are available for any setting depending on the filtration mode selected.

When using **24/24** or **NO PUMP** modes operation does not use timer cycles.

1 2 : 4 6 : 0 1 0 1 / 0 6 / 2 0 2 0	
> Mode	: ECO+
Cycle 1 ON	: 02:30
OFF	: 06:45
Cycle 2 ON	: 12:00
OFF	: 18:43 X
SELECT QUIT	



NOTE:

When using filtration cycles, it is recommended to keep at least 30min of time OFF between cycles. This will permit pH measurement, periodic filter cleaning, and automatic pool refill if installed.

5.2.1 Mode

There are 8 modes of operation:

- In **STOP** mode, filtration timers are set to **00:00**. The filtration will never run in automatic mode.
- In **TIMER** mode, filtration Cycle 1 and Cycle 2 times are set by the user.
- In **ECO+** mode, PoolCOP adjusts filtration duration based on measured water temperature, filtration rates, and other factors. This mode allows PoolCOP to automatically adjust the filtration duration based on changing seasonal and weather conditions and thus protect water when temperature is high and save energy if temperature is low.
 - Set Cycle 1 as desired. Duration will be taken into account when calculating Cycle 2 duration.
 - Set the Cycle 2 Filtration **ON** time. PoolCOP calculates and sets the **OFF** time, with **X** indicated.
 - The duration is automatically calculated based on the average measured temperatures during filtration in the last 24-hour period.
 - Other pool data settings, including pool volume and rate, are used to correct calculated duration to ensure that adequate filtration is carried out daily.
- VOLUME** mode is based on the same model as **ECO+** Mode with a noticeable difference:
 - In **ECO+** Mode, the filtration duration is calculated is made using the pool temperature.
 - **VOLUME** Mode does not take temperature into account, but simply use the turnover rate defined in the Pool data menu to estimate the filtration time.
- In **CONTINUOUS** mode, Cycle1 and Cycle 2 have the same 11:30 duration time so that the global filtration is 23/24. The only available setting is the starting time of Cycle1.
- In **FORCE** mode (24H, 48H or 72H) filtration will run 23/24 for the selected period and will then revert back to the previous mode. Forced mode is achieved by temporarily setting Cycle 1 timer value so that, added to Cycle 2, the filtration duration is 23 hours. No timer settings are available in Forced mode.
- In **24/24** mode, pump is running continuously, assuming that the pump is correctly priming and pressure ABOVE Protection Pressure.
- In **NO PUMP** mode, PoolCOP is not controlling the filtration pump; it is supposed to be controlled externally. Priming and flow control are still monitored.

Text:

Default: STOP

Modes: STOP;
 TIMER;
 ECO+;
 VOLUME;
 CONTINUOUS;
 FORCE24H;
 FORCE48H;
 FORCE72H;
 24/24;
 NO PUMP

**NOTE:**

ECO+ Mode uses the daily average water temperature to calculate filtration duration. After a Factory Reset the default filter time is approximately 8 hours, based on an assumed temperature of 20°C (68°F). An updated calculation is performed automatically at 17:00.

**NOTE:**

The first time **ECO+** mode is selected, the duration of Cycle 2 will default to 8 hours. Once the filtration has run for approximately 10 minutes an accurate measurement of pool water temperature will enable your PoolCOP to update the filtration duration.

5.2.2 Cycle 1 Times

Filtration timer Cycle 1 is used to set fixed duration filtration **ON** and **OFF** times.

If Cycle 1 **OFF** time falls within Cycle 2 duration, the filtration will not stop but continue until the end of Cycle 2.

Text:	Cycle 1
Default:	00:00-00:00
Entries:	00:00-23:59

5.2.3 Cycle 2 Times

Filtration timer Cycle 2 is used to set fixed duration filtration **ON** and **OFF** times.

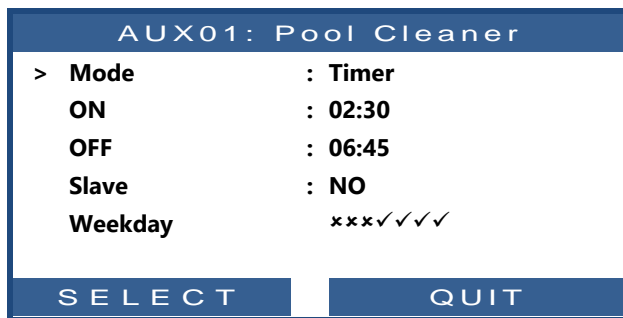
If Cycle 2 **OFF** time falls within Cycle 2 duration, the filtration will not stop but continue until the end of Cycle 1.

Text:	Cycle 2
Default:	00:00-00:00
Entries:	00:00-23:59

5.3 AUXILIARIES MENU

Operation Modes of auxiliaries are related to auxiliary names. Auxiliary timers have one cycle in any 24-hour period.

When quitting the **AUXILIARIES** menu, PoolCop checks the status of the auxiliaries, and switches them **ON** or **OFF** as required to match programmed running times.



5.3.1 Auxiliary ID

The default auxiliary ID is the **Aux** number.

The following 15 pre-set names are available for auxiliaries.

Text:	
Default:	Available
Entries:	Available; Pool Light; Pool Cleaner; Pool Heating; Disinfection; Electrolyser; Remnant; Transfer pmp; UV; Spa; Fountain; Bore Hole; Pool House; Garden 1; Garden 2; Garden 3



NOTE:

On "rimflow" pools (see 5.6.1.6 Pool Type), an auxiliary whose identifier is "Transfer Pump" is considered to be a means of moving the water from the buffer tank to the pool. The pump controlled by this auxiliary will be set ON automatically during the water level control phases in order to produce a change on the water level in the buffer tank.



NOTE:

To change the auxiliary Id, use the up arrow to place the cursor in the title area, then press select to open the scroll list. Use up and down arrow to select the Id label and pre-set select to validate.



Note:

Each auxiliary can be renamed on the web application for ease of use and identification via remote interfaces. The name is unchanged on the unit.

5.3.2 "Aux" Mode

Manual mode allows manual **ON/OFF** commands only. No automatic function will apply.

Timer mode allow to define a start time and a stop time.

Pulse mode allows to manage the **ON** duration. When the Aux is set **ON** (manually or automatically) it will revert to **OFF** after the defined duration.

When auxiliary is set as heating, 3 additional modes are available:

In **Filtration** mode, the heater can only operate during programmed filtration hours.

In **Priority** mode, the filtration pump is forced on for priority heating which will accelerate the increase of water temperature.

In **Schedule** the operation of the heater is limited within the period defined by its own timers. Heating will then only be possible within the defined **ON/OFF** time range and if the filtration is running.

Text:	Mode
Default:	Manual
Entries:	Manual; Timer; Pulse; Filtration; Priority; Schedule

The table below summarizes the available modes according to the auxiliary's identifier:

	Available	Pool Light	Pool cleaner	Pool Heating	Disinfection	Salt System	Remnant	Transfer Pump	UV	Spa	Fountain	Bore Hole	Pool House	Garden 1	Garden 2	Garden 3
Manual		X	X	X	X	X	X	X	X	X	X	X	X	X	X	X
Timer		X	X		X	X	X	X	X	X	X	X	X	X	X	X
Pulse		X	X		X		X			X	X	X	X	X	X	X
Filtration				X												
Priority				X												
Schedule				X												

5.3.3 "Aux" Times (Timer Mode)

In **Timer** mode, set fixed duration with **ON** and **OFF** times.

Setting any timer to 00:00-00:00 deactivates that timer.

Text:	ON/OFF
Default:	00:00-00:00
Entries:	00:00-23:59

5.3.4 "Aux" Time and Duration (Pulse Mode)

In **Pulse** mode, define the ON time.

ON time set to 00:00 suppresses automatic pulse generation. Aux must be set **ON** manually and will fall back to **OFF** automatically after pulse duration.

When in **Pulse** mode, define the duration, up to 99 minutes and 59 seconds

Text:	ON
Default:	00:00-00:00
Entries:	00:00-23:59
Text:	Duration
Default:	00:00:00
Entries:	00:00:00-00:99:59

5.3.5 "Aux" Heating Temperature (Filtration/Priority/Schedule Modes)

Set the desired temperature of water.

The temperature will be maintained ± 0.1 °C (± 0.18 °F) of the set point.

Text:	Temp
Default:	25°C (77°F)
Entries:	2°C to 40°C (35.6°F to 104°F)

5.3.6 "Aux" Slave

Auxiliaries can be set to run only if:

- The pump is primed (**SLAVE: PUMP**). This is essential for equipment requiring a water flow, such as a robot, water treatment, etc.
- The cover is open (**SLAVE: COVER**). This function only applies to the pool light and Jetstream.

Text:	Slave
Default:	No
Entries:	No; Pump; Cover



NOTE:

When an auxiliary used for heating it is automatically configured as slave.

5.3.7 Aux Days of the Week

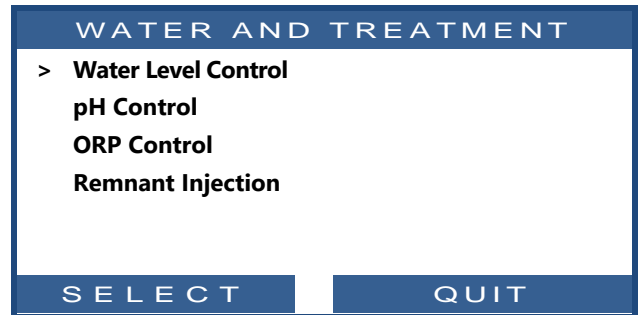
Auxiliaries can be set to run only on selected days of the week.

This is ideal for equipment such as pool cleaners and irrigation, which can be run on specific days of the week.

Text:	Weekday
Default:	ON (ALL)
Entries:	Mon; Tue; Wed; Thu; Fri; Sat; Sun

5.4 WATER AND TREATMENT MENU

Water level, pH and disinfection and other treatment settings.



5.4.1 Water Level

Set water level control parameters. PoolCop can be configured to automatically refill water level.

When measuring the water level, the last known value blinks on the screen. No action will be taken until the level is refreshed (displayed level value will stop blinking).

An update is performed every 15 minutes when the pump is stopped and if pump is controlled by filtration cycles.

When using **24/24** or **NO PUMP** modes, water level is checked every hour



NOTE:
 When using filtration cycles ensure at least 30 minutes between cycles.
 When using **24/24** or **NO PUMP** modes, water level is checked every hour.

5.4.1.1 Installed

With **INSTALLED: YES** the menu options display and alerts are activated.

Text:	Installed
Default:	NO
Entries:	YES; NO

5.4.1.2 Water Level Control Modes

With mode: **READ**, PoolCop will indicate the water level on the screen but will not take any action to control it. Should the level be **LOW** or above setpoint, an alert will be displayed.

With mode: **REFILL**, if the level is below the setpoint, the refill system commands the supply valve to open to refill the pool until the setpoint (**NORMAL** or **HIGH**) is detected. If the level is above setpoint, an alert will be displayed but the level will not be reduced.

When using filtration cycles, if the pump starts during refill, the valve will close, and refilling will be postponed until the next pump **OFF** period unless **CONT. REFILL: YES**, in which case pool refilling will continue with the pump running.

REDUCE and **AUTO** mode are only available if a cleaning valve is configured.

With mode: **REDUCE**, level will be automatically reduced if above setpoint (**HIGH** or **V_HIGH**). If the level is below setpoint, an alert will be displayed but pool will not be refilled.

With mode: **AUTO**, control combines **REFILL** and **REDUCE** functionalities.

When using **24/24** or **NO_PUMP** modes, water level is checked every hour. Refill may start immediately but will be paused after 30 min, to allow for treatment, and will then continue after completed.

Text:	Mode
Default:	Read
Entries:	Read; Refill Reduce Auto

5.4.1.3 Setpoint

Define the targeted level during refill.

- **Normal:** the second slot of the sensor is targeted.



- **High:** the third slot of the sensor is targeted.



Text:	Setpoint
Default:	High
Entries:	High; Normal

5.4.1.4 Réduction if

Appears only when the setpoint is set to "Normal" and for "Reduce" or "Auto" control modes.

Selects whether reduction is activated at "high" or "very high" level.

When the setpoint is "High", reduction is activated at "Very High".

Text:	Reduction if
Default:	High
Entries:	High; V.High

5.4.1.5 Continuous Refill

This setting is displayed if mode: **REFILL** or **AUTO**.

To avoid pool water flowing back in the water supply circuit, pool refill is normally inhibited when the pump is running. During pool refill if the pump is started manually or with a timer or mode, pool refill is suspended until pump is stopped again. With **CONT. REFILL: OFF** water refill stops whenever the pump starts.

In some installations (such as with low flow rate filtration) pump running time does not allow enough free time to adequately refill the pool. In such cases, **CONT. REFILL** allows refilling whilst the pump is running. With **CONT. REFILL: YES** once started the refill will continue until the water level is **HIGH**, even if the pumps start.

When using **24/24** or **NO PUMP** modes this setting is disregarded as water level measurement and refill are on continuous mode.

Text:	Cont. Refill
Default:	NO
Entries:	YES; NO



WARNING:

With **REFILL CONT: YES** a poor installation or a defective non-return valve could allow pool water to enter the water supply. This poses a health risk and may only be used if the house water supply is separate from the pool water supply.



Note:

When using **24/24** or **NO PUMP** modes Continuous Refill mode is used.

5.4.1.6 Maximum Duration

This setting is displayed if mode: **REFILL** or **AUTO**.

Use the **MAX DURATION** parameter to limit the time (and hence water volume) added to the pool during a refill operation. This protects against excessive water consumption in case of significant pool leaks.

The **MAX DURATION** is a daily timeout for pool refill. If reaching the maximum duration during a 24-hour period, refill stops until the following day and an alert is sent advising of this condition. Check for possible leaks or low water supply pressure. The Alert is reset at midnight and another refill can be commanded the following day.

If this situation occurs **on 3 consecutive days**, refill will **inhibited** until the alert is cleared manually.

Text:	Max Duration
Default:	60min
Entries:	10 to 720min

5.4.1.7 Bottom Force

This setting is displayed for Skimmers pools with suction valve only.

Define how long the water circulation is forced via the bottom drain after a backwash.

This setting is important with slim skimmers to avoid loss of pump priming, allowing the pool to refill before turning the suction from skimmers.

Text:	Bottom Force
Default:	10min
Entries:	10 to 120min

5.4.1.8 Draining

This setting is displayed if mode: **REDUCE**, **AUTO**.

Set the duration for the water reduction cycle;

If the level is detected above setpoint, then PoolCop will reduce water level following this logic:

- With skimmers pools, reduction will be launched if level sustains above setpoint for 15 minutes.
- With rimflow pools, pump will be started immediately when level is detected above level and will run until either:
 - level returns **NORMAL**
 - Level stays above setpoint for 15 minutes, which will launch a water level reduce cycle.
 - Level stays at setpoint for 3 hours, which will also launch a water level reduce cycle.

Up to three cycles will be carried out per day.

Text:	Draining
Default:	120 seconds
Entries:	10–600 seconds

5.4.1.9 Priming

Ensure Solenoid valve is correctly connected andy powered.

Commanding priming ON will activate the SOV for 60 seconds allowing the water to flow. Priming is stopped when quitting the menu or after 60 seconds.

Text:	Priming
Default:	OFF
Entries:	ON; OFF

5.4.2 pH Control

Set pH control parameters.

Menu can scroll up and down using the arrow buttons.

pH CONTROL	
> Installed	: YES
Mode	: pH-
Low Alert	: 7.1
High Alert	: 7.7
Max Dosing	: 5 mn
SetPoint 75.2°	: 7.4
SetPoint 64.4°	: 7.5
Temp Adjust	: NO
Priming	: OFF
SELECT QUIT	



NOTE:
 When using filtration cycles ensure at least 30 minutes between cycles to allow for pH dosing and measurement.
 In **24/24** and **NO PUMP** filtration modes pH is measured once per hour and dosing may start immediately after measurement.

5.4.2.1 Installed

If **INSTALLED: YES** PoolCOP will control the pH according to set point value. pH Control display will be activated; pH Control Alerts will be activated.

If set to **NO**, these functions are deactivated.

Text:	Installed
Default:	NO
Entries:	YES; NO

5.4.2.2 Mode

Set the pH Control to reduce or increase pH using the appropriate chemicals.

- READ:** if the pool has a standalone pH control system or if you do not want to control pH but get a reading.
- PH-:** if pH Minus liquid is used.
- PH+:** if pH Plus liquid is used.

Text:	Mode
Default:	Read
Entries:	Read; pH+; pH-

5.4.2.3 Setting Low Alert

Allows to define the value to trigger low alert message.

Text:	LOW Alert
Default:	7.1
Entries:	6.0 to 7.5

5.4.2.4 Setting High Alert

Allows to define the value to trigger high alert message.

Text:	HIGH Alert
Default:	7.7
Entries:	7.5 to 9.5

5.4.2.5 Max Dosing

MAX DOSING acts as a security to prevent inadvertent overdosing, initially calculated with pool volume, can be adjusted. This setting is higher with bigger pools, and with higher water alkalinity; this setting is lower with larger feeder pumps. **MAX DOSING** is limited to 6 minutes in **24/24** and **NO PUMP** filtration modes.

Text:	Max Dosing
Default:	5+Pool Volume/4
Entries:	1 to 30 min

5.4.2.6 Setpoint

Set the desired pH value.

The ideal Setpoint varies with water treatment options, and according to refill water types.

Note: Actual Setpoint will be automatically corrected according to the actual water temperature if **TEMP ADJUST** is set to YES (see 5.4.2.8).

Text:	SetPoint 24°C (SetPoint 75.2°F)
Default:	7.4
Entries:	6.5 to 8.0



NOTE:
Recommended pH is 7.2 to 7.6 depending on water balance.
See code and regulations for recommended setting.

5.4.2.7 Setpoint at Current Temperature

PoolCop can automatically adjust the actual pH Setpoint as a function of temperature to ensure year-round optimal water treatment. This adjusted Setpoint is displayed against current water temperature if **TEMP ADJUST** is set to YES. This corrected Setpoint is the actual value of pH the PoolCop will aim to maintain.

Text: **SetPoint xx °C**
 (SetPoint xx °F)
Display of Data only

5.4.2.8 Temp Adjust

pH setpoint can be auto adjusted by water temperature to respect water balance equilibrium.

If set to YES, targeted pH setpoint will be in decreased by 0.1 when water temperature increases by 5°C (9°F).

If set to NO, pH setpoint will not be adjusted.

Text: **Temp Adjust**
Default: **NO**
Entries: **YES;**
 NO



NOTE:
pH Temp Adjust will change the actual setpoint.
If code and regulation compliance is required, Temp Adjust is not recommended.

5.4.2.9 Priming

Ensure feeder pump is connected to Aux7 and correctly powered.

Commanding priming ON will activate Aux7 for 60 seconds allowing the feeder pump to prime. Priming is stopped when quitting the menu or after 60 seconds.

Text: **Priming**
Default: **OFF**
Entries: **ON;**
 OFF

5.4.3 ORP Control

Set disinfectant parameters based on ORP control

ORP CONTROL	
> Installed	: YES
Disinfectant	: Chlor
Setpoint	: 760 mV
Boost on	: Mon
Boost to	: 760 mV
Priming	: OFF
Ocean diag	
SELECT QUIT	

5.4.3.1 Installed

If **INSTALLED: YES**, PoolCop will control the ORP according to set point value. ORP Control display will be activated; ORP Control Alerts will be activated. If set to **NO**, these functions are deactivated.

Text:	Installed
Default:	NO
Entries:	YES; NO

5.4.3.2 Disinfectant

Set the disinfection option and algorithms used.

- READ** Read and display only; no control
- CHLOR** Chlorine dosing
- SALT** External Salt System control
- BROMI** Bromine dosing
- OCEAN** For PoolCop Ocean salt chlorinator.
- SPACE** For Dryden Aqua Space salt chlorinator.
- DA-GEN** For DA-GEN Hydrolysis system.

Text:	Disinfectant
Default:	Read
Entries:	Read; Chlor; Salt; Bromi; Ocean; Space; DA_GEN

5.4.3.3 Setpoint

Set the desired ORP value; a typical Setpoint is 650 to 760. The ideal Setpoint varies with water treatment options, and according to refill water types.

Text:	Setpoint
Default:	760mV
Entries:	300 to 990mV



NOTE:
Minimum recommended ORP is 650mV to reduce risk of sensor fouling.
See code and regulations for recommended setting.

5.4.3.4 Boost On

If hyper-chlorination is desired, set a day of the week.

Text:	Boost On
Default:	None
Entries:	None; Mon; Tue; Wed; Thu; Fri; Sat; Sun

5.4.3.5 Boost To

If a day of the week is set for hyper-chlorination, set the desired the ORP value. The Boost To value cannot be lower than Setpoint.

Text:	Boost To
Default:	760mV
Entries:	Setpoint... 990mV

5.4.3.6 Polarity inversion

for disinfection carried out by an OCEAN, SPACE or DA-GEN chlorinator only.
Used to define the operating time before polarity inversion on the plates. This parameter must be adjusted according to the hardness of the water to limit scaling of the plates: reduce the time for "hard" water, increase for "soft" water.

Caution: Too short durations reduce the lifespan of the plates.

Text:	Polarity Inv
Default:	240 min
Entries:	60 min; 720 min

5.4.3.7 Production

If disinfection is carried out by an OCEAN, SPACE or DA-GEN chlorinator only.

Used to adapt the production power of the chlorinator.

When there is less demand for disinfection (outside the peak season), reducing the production power increases the lifespan of the plates.

Text:	Production
Default:	100%
Entries:	10%; 100%

5.4.3.8 Priming

Ensure feeder pump is connected to Aux6 and correctly powered.

Commanding priming ON will activate Aux6 for 60 seconds allowing the feeder pump to prime. Priming is stopped when quitting the menu or after 60 seconds.

Text:	Priming
Default:	OFF
Entries:	ON; OFF

5.4.3.9 Diag Ocean (if PoolCop Ocean, Space or DA-GEN Connected)

See PoolCop Ocean Guide.

5.4.4 Remnant Injection

Set Remnant parameters.

If possible, Remnant will be injected 1 hour before the end of the latest filtration cycle of the day. If there is no filtration cycle long enough, the longer cycle will be chosen, but the volume actually injected may not fit the requirements.

When Filtration Mode is **24/24** or **NO PUMP**, injection will be set so that it ends at 10PM and re-calculated each day at midnight.

REMNANT INJECTION	
> Installed	: YES
Aux Channel	: Aux2
Inj. Rate	: 9.5 GPD
Temp adjust	: YES
Extra adjust	: Med
Priming	: OFF
SELECT	QUIT

5.4.4.1.1 Installed

If **INSTALLED: YES**, PoolCOP will control the Remnant injection according to parameters settings.

If set to **NO**, this function is deactivated.

Text:	Installed
Default:	NO
Entries:	YES; NO

5.4.4.1.2 Aux Channel

Define the channel used to inject remnant.

Any available channels can be used.

Text:	Channel
Default:	Any available channel
Entries:	Aux1, etc.

5.4.4.1.3 Injection Rate

Set the feeder pump injection rate. Combined with pool volume (**POOL DATA** menu), the injection rate will be used to calculate the remnant injection duration.

Temperature	Volume Injected Per Day	Liquid Chlorine 12% Increase of ppm
20°C (68°F)	6 ml/m ³	+0.72 ppm
26°C (79°F)	9 ml/m ³	+1.08 ppm
30°C (86°F)	12 ml/m ³	+1.44 ppm

Text:	Inj. Rate
Default:	1.5 l/h (9.5 GPD)
Entries:	0.1 to 9.9 l/h (0.63 to 62.8 GPD)

5.4.4.1.4 Temperature Adjustment

Choose **YES** if the injected volume has to be corrected according to pool water temperature.

If Yes, adjustment occurs between 24°C and 30°C (75.2°F and 86°F).

At 30°C (86°F), the injected volume is 2 times higher.

Text:	Temp. Adjust
Default:	YES
Entries:	YES; NO

5.4.4.1.5 Extra Adjustment

Add an extra adjustment parameter applying a coefficient to the calculated volume as follow:

LOW: Coefficient is 0.5 (half the volume, for example for indoor pools)

MEDIUM: Coefficient is 1.0

HIGH: Coefficient is 1.5 (1.5 times the volume, for high consumption pools)

Text:	Extra Adjust
Default:	Med
Entries:	Low; Med; High

5.4.4.1.6 Priming

Ensure the feeder pump is connected to chosen Aux and correctly powered.

Commanding priming **ON** will activate the Aux channel for 60 seconds allowing the feeder pump to prime. Priming is stopped when quitting the menu or after 60 seconds.

Text:	Priming
Default:	OFF
Entries:	ON; OFF

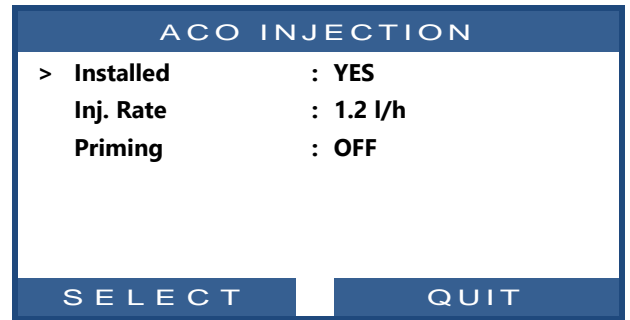
5.4.5 ACO Injection

Set ACO parameters.

The injection takes place on Friday during the day, the time may vary depending on the filtration cycles:

- In **24/24** or **NO_PMP** modes, injection will be activated at 1 p.m.
- In the other modes, the injection will take place between 8 a.m. and 6 p.m. subject to a filtration period long enough to allow the injection.

ACO injection is only possible with XM8 Extension Module and is controlled by AUX 12



5.4.5.1 Installed

If **INSTALLED: YES**, PoolCop will control the ACO injection according to parameters settings.

If set to **NO**, this function is deactivated.

Text:	Installed
Default:	NO
Entries:	YES; NO

5.4.5.2 Injection Rate

Set the feeder pump injection rate. Combined with pool volume (**POOL DATA** menu), the injection rate will be used to calculate the remnant injection duration based on **25 ml/m3/week**.

Text:	Inj. Rate
Default:	1.2 l/h (7.5 GPD)
Entries:	0.1 - 9.9 l/h (0.63 - 62.8 GPD)

5.4.5.3 Priming

Ensure the feeder pump is connected to the chosen Aux and correctly powered.

Commanding priming **ON** will activate the Aux channel for 60 seconds allowing the feeder pump to prime. Priming is stopped when quitting the menu or after 60 seconds.

Text:	Priming
Default:	OFF
Entries:	ON; OFF

5.4.6 FreeAvailable CL

This menu is detailed in PoolCop Chlorine Sensor FAC Installer and User Manual.

5.5 MAINTENANCE

Specific parameters dedicated to pool maintainers.

MAINTENANCE	
> Service Mode	: NO
Measure pH	: 7.7
Calibrate pH	: 0.1
Value FAC	: 3.2
Calibrate FAC	: 1.2
Calibrate Conduct	: 200uS
Salt Level	: 2.5
Air AntiFrz.	: 23°C
Stop treatmnt	: 53.6°F
Calib T°(=)	: 32°F
SELECT	QUIT

5.5.1 Service Mode

In service mode, PoolCOP stops all its automatic actions. Every connected device (pump, Auxiliaries, water refill...) is stopped when using this mode. PoolCOP will only respond to manual command. This mode could be used for passive winterization or during maintenance actions

Text:	Service Mode
Default:	NO
Entries:	YES; NO

5.5.2 Measure pH

Perform an extra pH measurement. The filtration pump must be stopped to allow measurement (except in **24/24** or **NO PUMP** modes)

pH READING	
Check TAC >80 ppm	
Last pH reading:	
20:12 15-03-2020	
Press SELECT	
SELECT	QUIT

5.5.3 Calibrate pH

Calibrate pH to a known value

pH CALIBRATION	
Check TAC >80 ppm	
Ref pH : 7.00	
Confirm Ref pH	
Then press	
SELECT to calibrate	
SELECT	QUIT

Carry out a calibration procedure for the pH sensor.

Text:	pH Calibration
Default:	7.0
Entries:	6.5; 8.5



NOTE:
If alkalinity is NOT AT LEAST 80 ppm, pH calibration and measurement will be unreliable. Ensure that alkalinity is correct, and the body of water is adequately mixed, before calibration.



NOTE:
During the calibration process, PoolCOP compares the "offset" of the probe to the signal that would be delivered by a perfect probe. This offset is essentially related to sensor aging. If the offset is too large, calibration is not possible. It is then necessary to check that the reference pH is correct. If this is the case, the probe must be replaced.

5.5.4 Value FAC

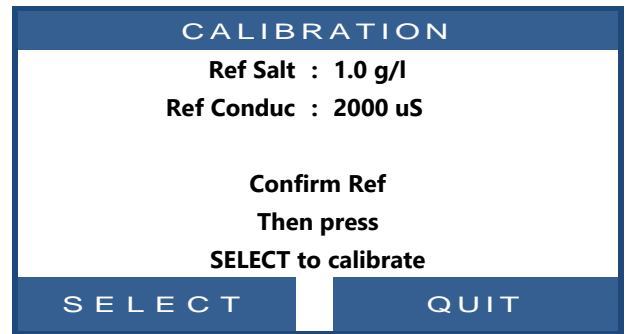
Requests an immediate update of FAC value instead of waiting next polling (within 30 seconds).
 This menu is detailed in PoolCop Chlorine Sensor FAC Installer and User Manual.
 Please refer to this manual for menu details.

5.5.5 Calibrate FAC

Performs a FAC calibration against a DPD1 analysis.
 This menu is detailed in **PoolCop Chlorine Sensor FAC Installer and User Manual**.
 Please refer to this manual for menu details.

5.5.6 Calibrate Conductivity

Calibrate Conductivity or salt level to a known value if PoolCop Ocean and conductivity sensor are installed.



Text:	Calibration
Default:	current value
Entries:	+0 uS --20000uS

Carry out a calibration procedure for the conductivity sensor.
 Best result will be achieved by calibration the conductivity in micro-siemens.
 Alternatively, calibration can be carried out by entering a salt concentration level in g/l



NOTE:
Calibration using salt level will be less accurate than calibration with controlled conductivity.

5.5.7 Air Anti-Freeze

When an air sensor is connected, defines the air temperature value to start antifreeze protection.
 See 4.4.4.7 Antifreeze Protection for further details.

Text:	Air Antifrz
Default:	-5°C (23°F)
Entries:	-9°C to 9°C (15.8°F to 48.2°F)

5.5.8 Stop Water Treatment

When water temperature decreases some disinfection devices (for e.g. salt systems) are prone to more rapid wear. However, algae, viruses and bacteria growth slow down considerably in cold water; reducing the run time of these devices thus serves to extend their lifespan.

Choose the temperature value to stop all ORP driven disinfection systems.

Setting the temperature to 0°C (32°F), deactivates protection.

Text:	Stop Treatment
Default:	12°C (53.6°F)
Entries:	0°C to 18°C (32°F to 64.4°F)

5.5.9 Adjust Water Temperature

Allows you to align PoolCop temperature indication to third party equipment like a heat pump by adding an offset to the temperature indication.

The value between parenthesis is the actual offset.

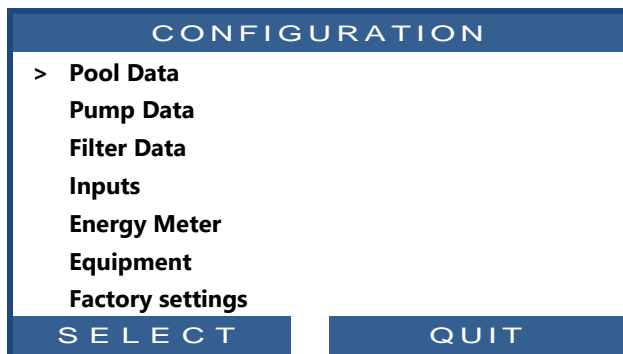
The sign in parenthesis depends on offset:

- < offset is negative.
- = no offset.
- > offset is positive.

Text:	Temp
Default:	0.0
Entries:	-9.9°C to 9.9°C (14.2°F to 49.8°F)

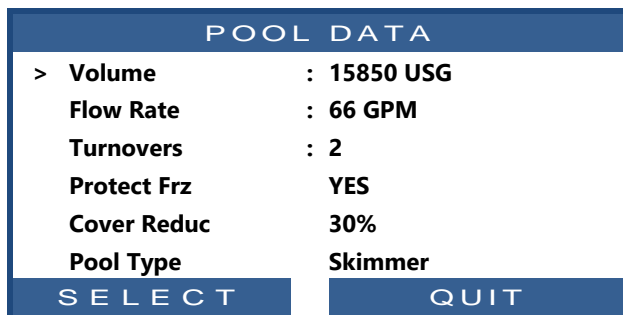
5.6 CONFIGURATION MENU

PoolCOP configuration menu



5.6.1 Pool Data

Set pool parameters



5.6.1.1 Volume

Enter the pool **VOLUME**. This is used for filter duration calculations in all automatic modes.

Volumes less than 10m³ (2640 USG) are considered a spa for filter duration calculations. Hydraulic corrections are not applied.

Text:	Volume
Default:	60 m ³ (15850 USG)
Entries:	1 to 250 m ³ (264 to 66043 USG)

5.6.1.2 Flow Rate

Enter the **FLOW RATE** of the hydraulic circuit with a clean filter. This is used for filter duration calculations in automatic modes:

- Measure the actual hydraulic flow and enter this figure for optimum performance; or
- Use the lowest of the nominal filter rate and the nominal pump rate, less 20% as the entered flow rate.
- When programming for use with a variable speed/flow pump, estimate the average daily flow rate.

Text:	Flow Rate
Default:	15 m ³ /h (66 GPM)
Entries:	1 to 99 m ³ /h (4.4 to 435.9 GPM)

5.6.1.3 Turnovers

Set the desired **TURNOVERS** per day.

This is used for filter duration calculations in **VOLUME** mode.

Text:	Turnovers
Default:	2
Entries:	1 to 10

5.6.1.4 Freezing Protection

Activate or deactivate freezing protection.

When freezing risk is detected, either internally or externally (if installed) filtration is run for at least 30 minutes.

Text:	Protect Frz
Default:	YES
Entries:	YES, NO



CAUTION:

PoolCOP freezing protections can only assist in the protection of equipment. PoolCOP cannot guarantee that damage will be avoided under all circumstances, as this depends on many factors. No responsibility will be accepted for damage caused due to freezing.



NOTE:
When freezing risk is detected and filtration started, the pump **CANNOT** be stopped until the temperature detected is higher than the protection setting, **or** the Protection Antifreeze is switched OFF in the Pool Data menu.



NOTE:
The freezing risk alerts are always active, even with freezing protection OFF.



NOTE:
Multispeed pumps are started on speed #1 supposedly the lowest speed.

5.6.1.5 Filtration Reduction When Pool Cover is Detected Closed

To be effective, this functionality assumes the connection of pool cover, or mobile floor limit switch to a PoolCOP input. (see 5.6.4 Inputs). Depending on if pool is configured with a single or multi-speed pump, reduction strategy is different:

5.6.1.5.1 Filtration Time Reduction (Single Speed Pump)

Select the reduction percentage you want to apply to the filtration duration (Apply only to **ECO+** mode) when the cover is closed.

Text:	Cover Reduc
Default:	30%
Entries:	0% to 70%

5.6.1.5.2 Pump Speed Reduction (Variable or Multi Speed Pump)

Select the desired pump speed (apply to **every filtration mode**) when the cover is closed. This speed will replace the normal Cycle 1 or Cycle 2 preselected speeds as long as the cover is closed.

If value is **0**, no change will occur when the cover state changes.

Text:	Cover speed
Default:	1
Entries:	1 to 8

5.6.1.6 Pool Type

Selecting the type of pool automatically configures some functions:

- SKIMMER** - For pools with skimmers.
- OVERF.A** - Water level control is adapted to suit an infinity pool.
- OVERF.B** - Same as **OVERF.A**
- SPA** - No volume correction in ECO mode.

Text:	Pool type
Default:	Skimmer
Entries:	Skimmer; OverF.A; OverF.B; Spa



NOTE:
Changing the Pool Type affects the way that water level control functions. Be sure to read and fully understand the implications prior to changing this setting.

5.6.2 Pump Data

Set pump parameters

HAYWARD Range VSTD	
> Low Alert	: 7.2 PSI
Prot. Press	: 2.9 PSI
Prot. Pump	: YES
Def. Speed	: 1
Cyc 1 speed	: 1
Cyc 2 speed	: 1
Clean speed	: 1
SELECT	QUIT

5.6.2.1 Pump Type

When entering the **PUMP DATA** menu, **LOW ALERT** is preselected. To change the pump from Single Speed Pump to a variable or **variable** speed pump, press the UP arrow and press **SELECT**; now use the arrows to select the pump make and model installed. Refer to the **PoolCop Variable Speed Pump Guide** for further details including connecting and programming.

Note: **Binary combination** offers the full possibilities of any combination using Pump and Aux1/2/3 relays. This option can be used to control several mono speed pumps.

Text:	
Default:	SINGLE SPEED PUMP
Entries:	SINGLE SPEED PUMP; PENTAIR IntelliComm; PENTAIR SuperFlo VS; HAYWARD Eco Star; HAYWARD Range VSTD; BADU Eco Touch-pro; BADU 90 Eco Motion; ZODIAC FloPro VS; INVERTEK OptiDrive; Binary Combination; Davey ProMaster VSD400; DAB E.SWIM_E.PRO; AQUAGEM iSAVER+; SACI epool enjoy; SCHNEIDER ATV212



NOTE:
SINGLE SPEED PUMP is selected for Pentair IntelliFlo pumps if connected without IntelliComm.

5.6.2.2 Low Alert

Set the pressure at which the Low Pressure alert is activated.

This alert is used primarily to indicate that the skimmer or pump baskets are contaminated, reducing flow and filter pressure.

This alert has no effect on the operation of equipment, it is an advisory only.

Setting the pressure limit:

- Start the automatic pool cleaner and set valves.
- Ensure that all debris has been removed from the baskets.
- If using a variable speed pump, set minimum speed or flow programmed.
- Let filtration run for a few minutes to expel any air in the system.
- Note the low pressure reading on the PoolCop.
- Round off to next lower round number and subtract a 0.20 bar (2.9 PSI) margin.

Text:	Low Alert
Default:	0.50 bar (7.2 PSI)
Entries:	<u>Filter in pressure mode:</u> 0.1 to 2.40 bar (1.45 to 34.8 PSI) <u>Filter in suction mode:</u> -0.70 to 1.00 bar (-10.0 to 14.5 PSI)
	min = PROT. PRESSURE see 5.6.2.3) (max = FILTER PRESSURE see 5.6.3.1)

Example

- Lowest pressure noted = 0.76 bar (11 PSI)
- Round DOWN = 0.70 bar (10 PSI)
- Subtract 0.20 bar (2.9 PSI) = 0.50 bar (7.2 PSI)
- If the alert "WARN: LOW PRESS" displays under normal circumstances, decrease this setting progressively.

5.6.2.3 Protection Pressure

Set the pressure at which the pump protection will **stop the pump** to avoid damage and activate an alert.

Setting the pressure limit:

- Stop the pump and let indicated pressure stabilize.
- Note the Pump OFF pressure reading on the PoolCOP:
 - o If the pump is higher than the pool, this should be 0 bar (0 PSI)
 - o If the pump is lower than the pool, there should be a head of pressure.
- Round this figure up and add a margin of 0.20bar (2.9 PSI)
- Set this pressure as the Prot. Pressure.

Text:	Prot. Press.
Default:	0.20 bar (2.9 PSI)
Entries:	<u>Filter in pressure mode:</u> 0.1 to 2.40 bar (1.45 to 34.8 PSI) <u>Filter in suction mode:</u> -0.70 to 1.00 bar (-10.0 to 14.5 PSI)
(max = LOW ALERT see 5.6.2.2)	

Example

- Pump OFF pressure = 0.15 bar (2.2 PSI)
- Round UP = 0.20 bar (2.9 PSI)
- Add 0.20 bar (2.9 PSI) = 0.40 bar (5.8 PSI)

5.6.2.4 Activate Pump Protection

PoolCOP protects the pump, by switching OFF the pump and integrated water treatments in the event pressure measured is below the Prot. Pressure for 8 minutes. In the case where pumps have their own protection systems, this protection can be inhibited to prevent protection conflicts.

Switching Prot. Pump OFF disables the pump protection in the event that very low pressure is measured. Alerts are still active, and in the event of the Alert activation other internal functions (pH Control, ORP Control, Remnant injection) will stop.

Text:	Prot. Pump
Default:	YES
Entries:	YES; NO



WARNING:
Switching pump protection to OFF should only be done where the pump has its own protection system. If in any doubt, Pump Protection should be ON.



WARNING:
With Prot. Pump OFF, only integrated water treatment functions are stopped when this protection is activated; equipment connected to Aux relays will not be stopped.

5.6.2.5 Def. Speed (if variable speed pump configured)

This will be the default speed when filtration is set in **24/24 MODE**.
If desired, 2 periods with different speed can be configured in **FILTRATION** Menu.

Text:	Def Speed
Default:	1
Entries:	1 to 8

5.6.2.6 Cycle 1 Speed (if variable speed pump configured)

Select the speed linked to Filtration Timer cycle 1.
(Number of speeds depends on pump type)

Text:	Cyc 1 Speed
Default:	1
Entries:	1 to 8

5.6.2.7 Cycle 2 Speed (if variable speed pump configured)

Select the speed linked to Filtration Timer cycle 2.
(Number of speeds depends on pump type)

Text:	Cyc 2 Speed
Default:	1
Entries:	1 to 8

5.6.2.8 Cleaning Speed (if variable speed pump configured)

Select the speed linked to filter cleaning
(Number of speeds depends on pump type)

Text:	Clean Spd
Default:	1
Entries:	1 to 8

5.6.3 Filter Data

Set filter parameters.

FILTER DATA	
> Type	: Press
Flow	: 0.0 m3/h
On speed	: 1
Pressure	: 1.00 Bar
Frequency	: 0
Time	: 22:30
Auto Valv	: None
Cleaning	: Manual
Pump_Run	: NO
Backwash	: 80 sec
Rinse Valv	: None
Rinse	: 20 Sec
Suction	: None
Clean Via	: Surface
APF Dosing	: NO
Priming	: OFF

SELECT QUIT

5.6.3.1 Type

Define which type of filter is used:

- Press: the filter is AFTER the pump, working on pressure
- Suction: The filter is BEFORE the pump, working on suction

Depending on filter type, pressure settings below are affected

Text:	Type
Default:	Press
Entries:	Press; Suction

5.6.3.2 Pressure

Set the pressure at which an alert reminder "REMIND: CLEAN FILTER" is triggered

If measured pressure exceeds this threshold pressure for more than 5 minutes, an alert to clean the filter will be triggered.

Setting the pressure limit:

- Remove/stop the automatic pool cleaner and reset valves.
- Ensure that all debris has been removed from the baskets.
- If using variable speed pump, set maximum speed or flow programmed.
- Let filtration run for a few minutes to expel any air in the system.
- Note the base pressure reading on the PoolCOP.
- Round off to next higher round number and add a 0.10 bar (1.5 PSI) margin.

Text:	Pressure
Default:	1.00 bar (14.5 PSI)
Entries:	<u>Filter in pressure mode:</u> 0.1 to 2.40 bar (1.45 to 34.8 PSI) <u>Filter in suction mode:</u> -0.70 to 1.00 bar (-10.0 to 14.5 PSI)
(min = LOW ALERT see 5.6.2.2)	

Example

- Base pressure noted = 0.88 bar (12.8 PSI)
- Round UP = 0.90 bar (13.0 PSI)
- Add 0.10 bar (1.5PSI) = 1.00 bar (14.5 PSI)
- If clean filter alerts occur too frequently, increase this setting incrementally.
- Whenever resetting or adjusting this pressure, ensure that the filter is clean to get an accurate base pressure.
- Generally base pressure decreases over time as the filter media deteriorates.
- A steadily increasing base pressure indicates that the filter media is clogging.

5.6.3.3 Flowrate

Only when a FlowVis flowmeter is configured. Enables filter cleaning at a low flowrate.

Set the low flowrate threshold to trigger filter cleaning.

Flowrate settings differ according to FlowVis flowmeter type.

Text:	Flow
Default:	0.0 m3/h (0 gpm)
Entries:	0.0 m3/h (0 gpm); 409 m3/h (1800 gpm)

5.6.3.4 On speed

Only when a FlowVis flowmeter is configured (see above) and the pump is multispeed type. Flowrates depend on the selected speed, so it is essential to define at which speed the flowrate to trigger filter cleaning must be monitored.

Text:	On speed
Default:	1
Entries:	1-8

5.6.3.5 Periodic

Set the maximum numbers of days between 2 Clean Filter alerts.
If the periodic cleaning is not required, select 0 days.

Text:	Frequency
Default:	0
Entries:	0 to 250 days

5.6.3.6 Cleaning verification Time

When periodic cleaning is activated set a time at which the reminder to clean filter will be sent.

If periodic frequency is set to 0 days, Time is preset to --:--.

Text:	Time
Default:	09:00
Entries:	00:00 to 23:59

5.6.3.7 Automatic Cleaning Valve

If Filter is 'Pressure' Type, a BESGO 5 ways valve can be added to clean the filter.
Positions filter and Backwash will be accessible from **MANUAL CONTROL** menu

Text:	Auto Valv
Default:	None
Entries:	None; BESGO

5.6.3.8 Cleaning (if cleaning valve is present)

Select the cleaning mode according to your needs and according to the filtering media possibilities (see below).

Only available if a cleaning valve is present.

Text:	Mode
Default:	Inhibit
Entries:	Inhibit; manual; auto



CAUTION:
Incorrect setting of the cleaning function can result in damage to the filtration equipment.

The following settings are required:

Type of filter	Setting	Functions
Cartridge	INHIBITED Backwash impossible	<input type="checkbox"/> Only filter valve positions is available (BACKWASH is inhibited). <input type="checkbox"/> No automatic water level reduction.
D.E.	MANUAL Replacement D.E. charge required immediately after cleaning cycle	<input type="checkbox"/> Two valve positions are available. <input type="checkbox"/> Backwash duration can be configured. <input type="checkbox"/> The filter is cleaned only via MANUAL CONTROL menu. <input type="checkbox"/> No automatic water level reduction.
Sand or Multimedia	AUTO	<input type="checkbox"/> Two valve positions are available. <input type="checkbox"/> Backwash duration can be configured. <input type="checkbox"/> Filter media is auto cleaned as required, and via Manual Control menu. <input type="checkbox"/> If configured, automatic water level reduction uses surplus water to clean the filter media.

5.6.3.9 Pump run

Displayed if **CLEAN : AUTO** or **CLEAN : MANUAL**.

Select if the pump must be stopped (Pump Run = NO) or not, to change cleaning valve position.

Text:	Pump run
Default:	NO
Entries:	NO; YES



NOTE:

BEGO valves support position changes without shutting off the circulation, however the resulting sudden pressure variation may trigger pumps with safety vacuum release protection (DAB SVRS for example).

5.6.3.10 Backwash (if cleaning valve is present)

Displayed if **CLEANING: AUTO** or **CLEANING: MANUAL**.

Set the desired backwash duration.

Refer to the filter manual for recommended backwash duration.

Only available if a cleaning valve is present.

Text:	Backwash
Default:	80 seconds
Entries:	10 – 600 seconds

5.6.3.11 Rinse valve

If the filter is a "pressure" type, and a backwash valve has been configured, a BESGO 3-way valve can be added to rinse the filter (the filtered water does not return to the pool but is directed to waste).

Valve will be controlled by Aux13 output provided the XM8 Expansion Module is present.

Filter, Wash and Rinse positions are accessible from **MANUAL CONTROL** menu.

Text:	Rinse Valv
Default:	None
Entries:	None; BESGO

5.6.3.12 Rinse (if rinse valve is present)

Displayed if **CLEANING: AUTO** or **CLEANING: MANUAL**, and rinse valve configured.

Set the desired rinse duration.

Text:	Rinse
Default:	20 seconds
Entries:	10 – 180 seconds

5.6.3.13 Suction valve

A BESGO 3-way valve can be added to pump suction line to get water either from the surface (skimmer or buffer tank) or from the bottom of the pool.

Valve will be controlled by Aux4.

Text:	Suction
Default:	None
Entries:	None; BESGO

NOTE:

The position of the suction valve is governed by a set of rules.

See 5.9 Circulation Modes for settings.

The rules are listed below in decreasing order of priority:

Overflow pools :

1. If the pump is stopped or not primed, from the surface.
2. Otherwise, during filter cleaning, position defined for filter cleaning (see below).
3. Otherwise, if water level is low, from the drain.
4. Otherwise, if a surface cycle is active, from the surface.
5. Otherwise, if the water level is very high, from the surface.
6. Otherwise, if a bottom cycle is active, from the drain.
7. Otherwise, for pools without cover, from the drain.
8. Otherwise, for pools with cover:
 - If cover is open, from the surface.
 - If cover is closed:
 - If ECO mode is not active, from the drain.
 - If ECO mode is active and the air temperature exceeds its setpoint by 1°C, from the surface.

Skimmer pools and spas:

1. During filter cleaning, position set for filter cleaning (see below).
2. After filter cleaning, forced from drain for a period of 15 to 120 minutes. (see Erreur ! Source du renvoi introuvable.).
3. Otherwise, if water level is low, from drain.
- Otherwise, from the surface.

5.6.3.14 Clean via

If a BESGO 3-way suction valve is configured, you can choose whether the water to clean (and rinse) the filter is taken from the surface (skimmer or buffer tank) or directly from the bottom of the pool.

Text:	Clean via
Default:	Surface
Entries:	Surface; Bottom

5.6.3.15 APF (flocculant) Dosing

Flocculant (APF) can be injected continuously when the filtration is on (pump started and water goes through the filter).

To ensure automatic injection, declare "APF dosage=YES".

It will be controlled by the Aux8 output provided the XM8 Extension Module is present.

Text:	APF Dosing
Default:	NO
Entries:	NO; YES

5.6.3.16 Priming

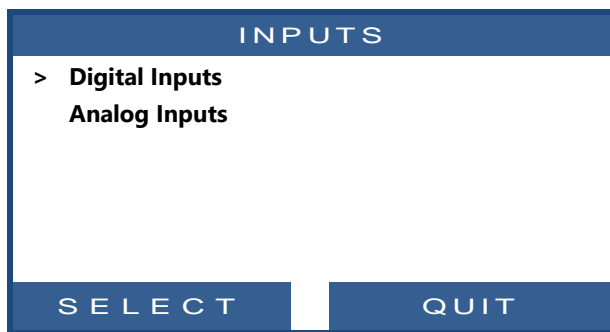
Ensure the feeder pump is connected to Aux8 and correctly powered.

Commanding priming **ON** will activate the Aux channel for 60 seconds allowing the feeder pump to prime. Priming is stopped when quitting the menu or after 60 seconds.

Text:	Priming
Default:	OFF
Entries:	ON; OFF

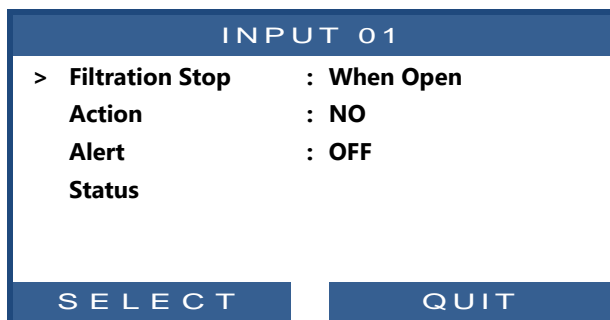
5.6.4 Inputs

Choose inputs type to set



5.6.4.1 Digital Inputs

Set digital inputs identifier and behavior.



WARNING:

If the equipment is used for pH, ORP or any other treatment control, a water circulation flow detection sensor must be correctly installed to comply with NSF/ANSI 50 where required. Input(1) is pre-configured for flow detection sensor and must not be re-affected.

5.6.4.1.1 Input Name

Various inputs can be installed and configured for use with PoolCop.

Note: if Filtration Mode is set to **NO PUMP**, Filtration Start and Filtration Stop functions are not available.

Text:	None
Default:	Available
Entries:	Available; Thermostat AntiFrz; Disinf Consumables; pH Consumables; Consumables; Pool Cover; Salt System; Filtration Start; Filtration Stop; JetStream; Flow Switch; Flooding; FloodingStop; Low FAC Flow; ACO (Oxidant) consumab; APF (Floc) Consumables; Electrolysis prot; Overflow; Open Cover; Close Cover; Electrolyser Protection

5.6.4.1.2 Sense of Action

The sensor action configures whether the alert action is taken when the circuit is closed (direct action) or open (reverse action).

For example:

- If the thermostat contact closed indicates a freezing risk, choose **“Action when CLOSED”**.
- If the level detection senses that consumables are low by opening the contact in the switch, choose **“Action when OPEN”**.

Configures whether the alert is triggered when the circuit is closed (direct action) or open (reverse action).

Text:	Action
Default:	When CLOSED
Entries:	When CLOSED; When OPEN



NOTE:
When configuring an input as a Flow Switch function, sense of action is preset to **“WHEN CLOSED”** and cannot be changed.

5.6.4.1.3 Alert

Determines whether an Alert is associated with the sensing on the input or not.

If **YES**, when input is detected, an alert will be displayed on screen and send to server (if connected to internet)

Text:	Alert
Default 1:	NO
Default 2:	NO
Entries:	NO; YES



NOTE:
When configuring an input as a Flow Switch function, Alert is preset to **“NO”** and cannot be changed.

5.6.4.1.4 Input Role

The inputs can be assigned to various functions, and the setting is used to inform the software functions assigned to each entry.

The following predefined functions are available:

Entries	Delay	Role, Note
Available		Default. The input is not active.
Thermostat Antifreeze	5 seconds	The connection of an external antifreeze thermostat assists in protection against damage due to freezing. When detected and if the mode is activated in POOL DATA menu, anti-freeze protection is activated, and filtration is started, and is accompanied by an alert.
Consumables Disinfection	5 seconds	The connection of a consumables low level detector (typically a float switch on a suction wand) triggers an alert when low level is detected. This alert is dedicated to disinfection consumables.
Consumables pH	5 seconds	The connection of a consumables low level detector (typically a float switch on a suction wand) triggers an alert when low level is detected. This alert is dedicated to pH control consumables.
Consumables	5 seconds	If two chemical level sensors are combined, (for example one for disinfection and one for pH control) these two signals can be wired in parallel, so that a single signal can trigger the “Consumable” alert. This is useful when the second input is required for another action, such as Pool Cover position for example.
Pool Cover	2 seconds	To reduce the duration of filtration (if in ECO+ mode) when the cover is closed. Generates an alarm in the non-closed position. If the pool is equipped with a variable speed pump, PoolCOP switches on the configured speed. When the cover is re-opened during a cycle of operation of the pump, the speed associated with this cycle is restored. If a filtration cycle is running when the cover is closed, this cycle will not be affected by reduction. Only the following cycles will be affected.
Salt System	60 seconds	With a compatible saltwater chlorine generators installed and connected, the LOW SALT and/or SHUTDOWN feature will trigger an alert message “Salt System: Intervention Required”. Note: with Ocean/DA-Gen/Oxilife, this function is not required to be configured as communication of status is via Modbus.

Filtration Start *	2 seconds	The input can be used to command the filtration to run by means of an external run command, from a switch, button or an external automation. Removing this input command will stop the filtration unless ON in another mode.
Filtration Stop *	2 seconds	The input can be used to stop the filtration using an external control. Warning: This decision overrides any other orders including antifreeze protection. If a filter cleaning is in progress when the request occurs, it will be stopped, but the filter will be rinsed.
JetStream	0 seconds	The input can be used to toggle a JetStream pump. The action will be taken when a JetStream Equipment is declared (see 5.6.6 Equipment for further details).
Flow Switch	2 seconds	The input can be used to connect a flow switch. If the flow is not detected, pH injection, disinfectant injection and Auxiliaries declared slaved to pump will be stopped. Normal situation will resume automatically as soon as the flow is detected again. pH injection may resume immediately as well as auxiliaries, but disinfectant will resume with an observation period, so dosing may restart with 10 minutes delay.
Flooding	2 seconds	A water level sensor is connected to detect presence of water in technical room for instance. An alert will be sent in case of detection.
FloodingStop	2 seconds	Same as flooding above, but action is also taken to stop filtration pump, chemicals dosing and also auxiliaries configured "slaved" to pump.
Low FAC Flow	90 seconds	This function monitors the position of the flow indicator in the FAC flow cell. The correct position of the indicator ensures optimum flow for the measurement of Free Available Chlorine (FAC). An alert is issued in the event of position loss.
Consumables ACO	5 seconds	The connection of a consumables low level detector (typically a float switch on a suction wand) triggers an alert when low level is detected. This alert is dedicated to ACO (oxidant) dosing consumables.
Consumables APF	5 seconds	The connection of a consumables low level detector (typically a float switch on a suction wand) triggers an alert when low level is detected. This alert is dedicated to APF (Flocculant) dosing consumables.
Electrolysis Protection	5 seconds	When an electrolyser is controlled (ORP disinfectant = Salt or Ocean), or an aux label is set to "Electrolyser" a specific flow switch can be installed to check flow in the electrolysis cell. No flow will stop production with alert.
Overflow	2 sec	User can press a button to request pool to overflow at any time. If no others functions prevent overflow, then suction valve will be turned to overflow position. Only applies to infinity pool with suction valve.
Open Cover	2 sec	A key or button to request cover to open (if cover is configured). When key/button is released, the cover will stop in its position.
Electrolyser Protection	2 sec	If a chlorinator is installed in bypass of the main circuit, production can be stopped by lack of flow detected by a flow switch.
Close Cover	2 sec	A key or button to request cover to close (if cover is configured). When key/button is released, the cover will stop in its position.
Note: the delay is used to filter out events of very short duration.		

5.6.4.2 Analog Inputs

See FlowVis flowmeter installation guide.

5.6.5 Energy Meter

Energy Meter configuration.

ENERGY METER	
> Type	: None
Modbus ID	: 1
Status	: Absent
P1 (W)	: 0
P2 (W)	: 0
P3 (W)	: 0
SELECT	
QUIT	

5.6.5.1.1 Type

Declare the right type of energy meter.

Text:	Type
Default:	None
Entries:	None Monophase Triphase

5.6.5.1.2 Modbus ID

This is the energy meter identifier on the Modbus network.

Text:	Modbus ID
Default:	1
Entries:	1 -247



NOTE:

Default value is 1 unless otherwise specified by technical support.

5.6.5.1.3 Status

Device status on the Modbus network. This information is read-only:

- Absent: the device is not connected or not detected on the network. Check connection and device type.
- OK: the device is connected and providing measurement data.
- Error: an error has occurred on the network. If this condition persists, please contact support.

Text:	Status
Default:	Absent
Entries:	Absent; Ok; Error

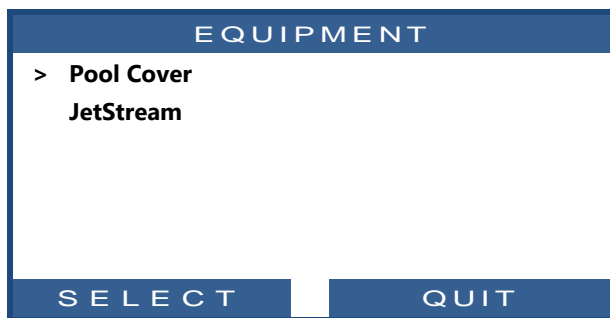
5.6.5.1.4 P1, P2, P3

Instantaneous active power.

Text:	P1, P2, P3
Default:	-
Entries:	Power

5.6.6 Equipment

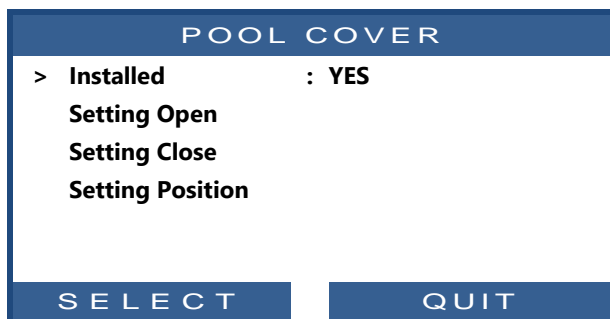
Allows you to define the Pool Cover, JetStream settings.



NOTE:
 These functionalities are only available if an XM8 is installed and if the required Aux outputs and Inputs are free to be used.

5.6.6.1 Pool Cover

Set Pool Cover parameters.



WARNING:
 Remote control of a Pool Cover can cause severe injury.
 The user **MUST ALWAYS** have the pool in direct view when maneuvering the cover.
 The pool must be monitored at all times during the operation of the Pool Cover to ensure that no person is in the pool or enters the pool.
 The remote control of the Pool Cover is reserved for maintenance operations carried out by an authorized installer.

5.6.6.1.1 Installed

If **INSTALLED: YES**, PoolCop will be able to control the Pool Cover opening and closing.

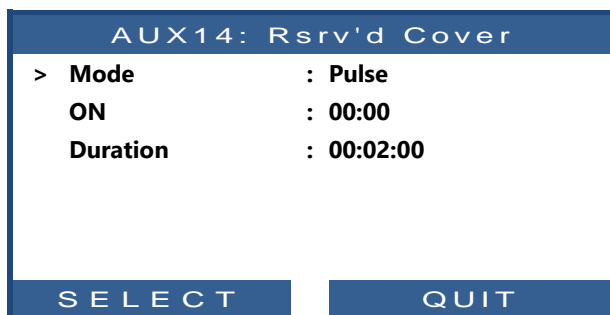
If set to **NO**, the Pool Cover (if any) will be operated manually.

Text:	Installed
Default:	NO
Entries:	YES; NO

5.6.6.1.2 Opening Setting (Aux14 Settings)

When Pool Cover function is installed, Aux14 (Open command) is preconfigured in pulse mode with 2 minutes pulse duration.

These settings can be changed from this view. Duration should be long enough to allow full cover operation from closed to open.



5.6.6.1.3 Close Setting (Aux15 Settings)

When Pool Cover function is installed, Aux15 (close command) is preconfigured in pulse mode with 2 minutes pulse duration. These settings can be changed from this view. Duration should be long enough to allow full cover operation from open to close.

AUX15: Rsrv'd Cover	
> Mode	: Pulse
ON	: 00:00
Duration	: 00:02:00

SELECT QUIT

5.6.6.1.4 Position Setting (IN10 Settings)

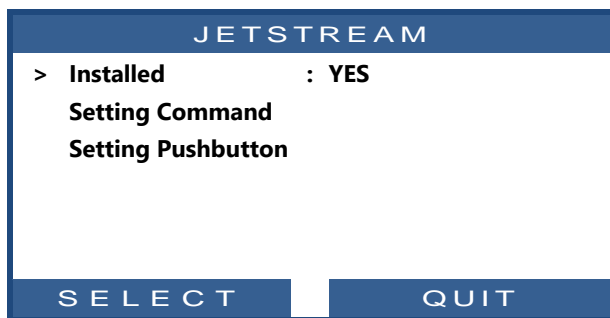
When Pool Cover function is installed, IN10 is preconfigured for Pool Cover 'closed' position sensing. The settings can be changed from this view, in particular, one can decide to get an alert (or not) when cover is not detected closed.

INPUT 10	
> Pool Cover	
Action when	: Closed
Alert	: NO

SELECT QUIT

5.6.6.2 JetStream

Set JetStream parameters.



5.6.6.2.1 Installed

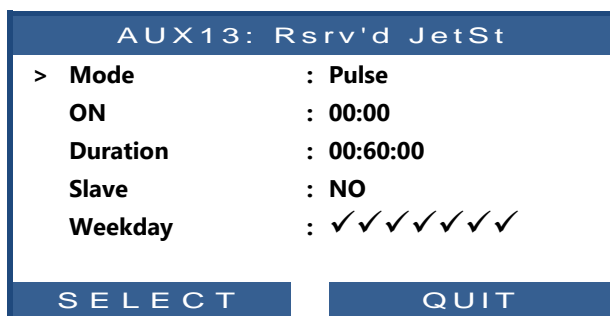
If **INSTALLED: YES**, PoolCop will be able to control a JetStream via the push button in the pool or via a direct command.

If set to **NO**, the JetStream (if any) will be operated manually.

Text:	Installed
Default:	NO
Entries:	YES; NO

5.6.6.2.2 Setting Command (Aux13 Settings)

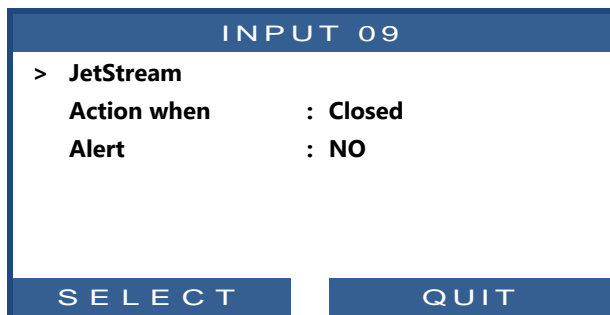
When JetStream is installed, Aux13 (Pump command) is preconfigured in pulse mode with 60 minutes pulse duration. These settings can be changed from this view.



NOTE:
If the pool has a cover and the cover is detected closed by PoolCop, then the JetStream pump is forced OFF for safety reasons. JetStream pump is only allowed to run when the cover is not closed.

5.6.6.2.3 Setting Push Button (IN9 Settings)

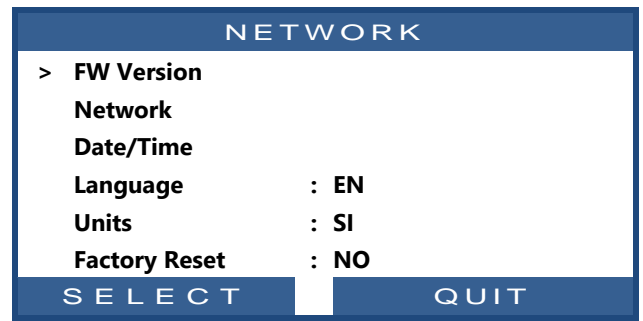
When JetStream is installed, IN9 is preconfigured to receive the push button action. The settings can be changed from this view.



NOTE:
The push button pneumatic signal must be converted into an electrical contact outside PoolCop using a pressure switch. The contact will be then connected on In(9).

5.6.7 Factory Settings

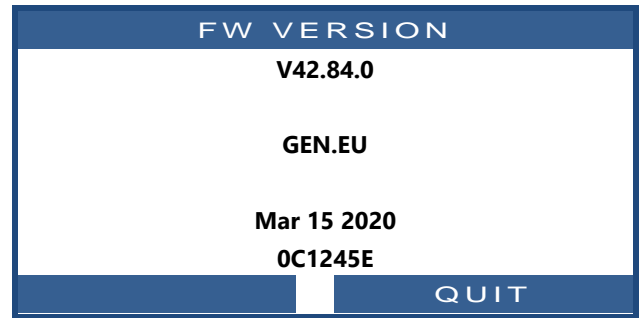
Besides the described settings below, displays the firmware version which may be required for support.



5.6.7.1 FW Version Menu

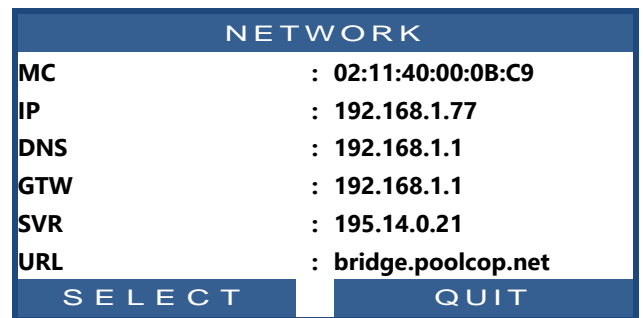
FW view (with example):

- Firmware version ID (V42.84.0)
- Model and Region ID (GEN.EU)
 - o Model GEN => Genesis
 - o Model STD => Standard
 - o Region EU => Europe
 - o Region US => USA/Canada
- Release date (Mar 15 2020)
- Verification Code (0C1245E)



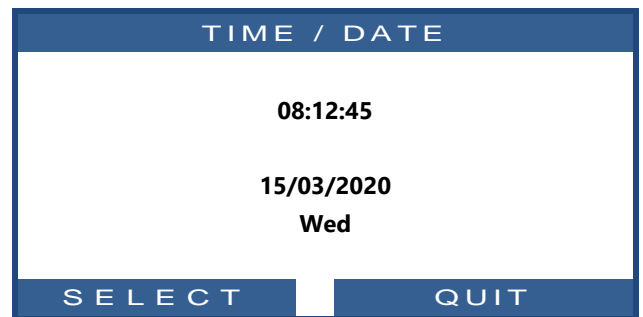
5.6.7.2 Network Menu

- MC:** MAC address, required to link the unit to and account on the PoolCopilot Server
- IP:** IP address of PoolCOP on the local network
- MSK:** Subnet mask
- DNS:** IP address of the Domain Name Server.
- GTW:** IP address of the gateway (router) on the local network
- SVR:** IP address of PoolCopilot.com server



5.6.7.3 Time/Date Menu

Set Time and Date



5.6.7.3.1 Setting Time

Set and adjust system Time.

PoolCOP adjusts for daylight saving if connected to the PoolCopilot server.

Text:	Time
Entries:	24h

5.6.7.3.2 Setting Date

Set and adjust system Date.

PoolCOP adjusts for daylight saving if connected to the PoolCopilot server.

Text:	Date
Entries:	mm/dd/yyyy

5.6.7.4 Language Menu

Text:	Language
Default:	EN
Entries:	EN ; FR ; NL, IT ; TK ; DE ; SP ; PT

Select PoolCop language

5.6.7.5 Units Menu

Text:	Units
Default:	SI *
Entries:	SI ; US

Select PoolCop display units

* Default is SI for EU version of firmware, set to US for US versions.

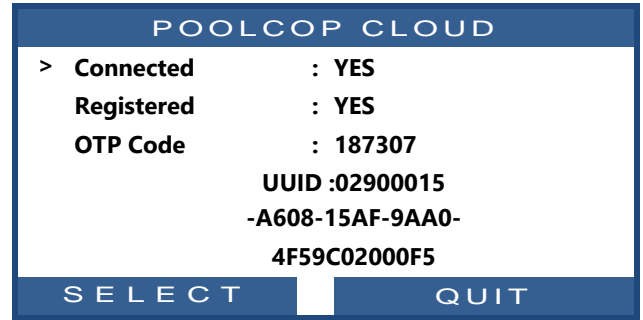
5.6.7.6 Factory Reset

Text:	Factory Reset
Default:	NO
Entries:	YES; NO

Selecting and confirming resets all defaults and calibrations, requiring reprogramming and pH sensor calibration check.

5.7 POOLCOP CLOUD

PoolCop Cloud display



5.7.1 Connected

Display the connection status to the web server

- **YES:** Connection to the server is established
- **NO:** Connection not established. Please refer to **Erreur ! Source du renvoi introuvable. Erreur ! Source du renvoi introuvable..**

Text:	Connected
Default:	Read only
Values:	YES; NO

5.7.2 Registered

Once PoolCop has been associated with a pool, it will be seen as registered.

If not registered, status is **NO**.

Text:	Registered
Default:	Read only
Values:	YES; NO

5.7.3 OTP Code

One Time Password required to registered PoolCop.

Will be asked during registration process..

Text:	OTP Code
Default:	Read only
Values:	6 digits number

5.7.4 UUID

Nique hardware identifier.

Text:	Code OTP
Default:	Read only
Values:	32 alphanumeric

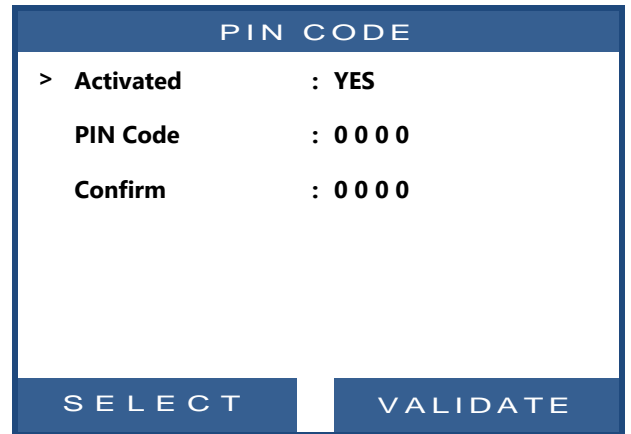
5.8 SET PIN CODE

PIN code definition menu.

The PIN code lock prevents access to the menu and maintenance mode. Only the main screen is accessible.

Once the PIN code is entered, the menus become accessible.

The PIN code remains valid for 30 minutes; after this time, the lock is activated again.



5.8.1 Activated

Activate the PIN Code

- **YES:** PIN Code is activated, screen will be locked.
- **NO:** PIN code is not activated.

Text:	Activated
Default:	NO
Values:	YES; NO

5.8.2 PIN Code

Define your own PIN Code.

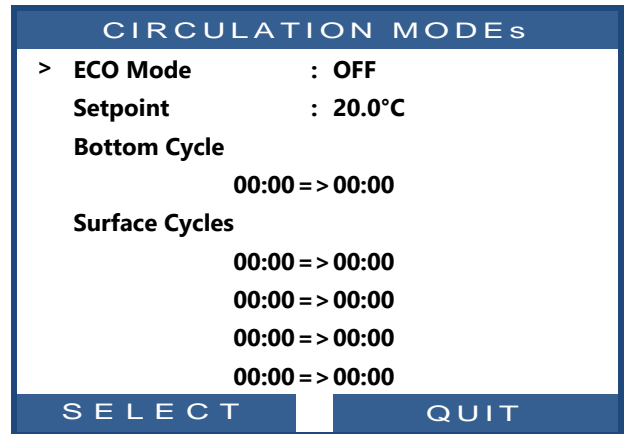
Text:	PIN Code
Default:	0000
Values:	0000 - 9999

5.8.3 Confirm

Confirm the PIN Code.

Text:	Confirm
Default:	0000
Values:	0000 - 9999

5.9 CIRCULATION MODES



Settings required for ECO mode.

Only applies if a suction valve is configured (See 5.6.3.13 Suction valve).

5.9.1 ECO Mode

This mode saves heating costs. The optimization of water circulation makes it possible to avoid heat losses and also to maximize the energy contributions under the cover.

This mode only applies for infinity pools with cover configured.

- OFF:** ECO Mode is inactivated.
- ON:** ECO Mode is active: If air temperature is 1°C (fixed value) above Setpoint, water circulation will go through buffer tank.

Text:	ECO Mode
Default:	OFF
Values:	OFF; ON

5.9.2 Setpoint

Applies when **ECO Mode = ON**

This is the air temperature used to trigger the circulation mode switchover (Buffer tank or bottom drain).

Text:	Setpoint
Default:	20°C (68°F)
Values:	0°C - 50°C (32°F - 122°F)

5.9.3 Bottom cycle

The user can decide to force circulation through the bottom drain during a period of the day. Can be useful, for example, to reduce runoff noise at night.

If the conditions are met (no other circulation constraints) then flow will be established through the bottom drain during the defined time slot.

Text:	Bottom Cycle
Default:	ON=00 :00 OFF=00 :00
Values:	00 :00 ; 23 :59;

5.9.4 Surface cycles

The user can decide to force circulation through the buffer tank (ie from the surface) during up to four periods per day.

If the conditions are met (no other circulation constraints) then flow will be established through the buffer tank during the defined time slots.

Text:	Surface Cycles
Default:	ON=00 :00 OFF=00 :00
Values:	00 :00 ; 23 :59;

Section 6 INTERNET CONNECTION

6.1	Introduction	114
6.2	PoolCop Connection to the Web	114
6.2.1	How to get Internet to PoolCop	114
6.2.2	Check the Network Connection	114
6.3	Server Connection and Pool Setup	114
6.3.1	Creating a User Account	115
6.3.2	Adding your first Pool and PoolCopilot Module Automatically	116
6.3.3	Adding a Pool and PoolCopilot Module "Manually"	116
6.3.4	Your Preferences	116
6.3.5	Access Pool or Pools	117
6.3.6	User Interface Options	117
6.4	PoolCopilot Functions	117
6.5	Troubleshooting	118
6.5.1	Error Messages	118
6.5.2	PoolCop will not connect to the server	118
6.5.3	No data displayed	118
6.5.4	No graphs displayed in "History"	118

6.1 INTRODUCTION

The swimming pool can now be accessed 24 hours a day, 365 days a year on a computer, tablet or Smartphone. Pool control can be granted to pool technicians, a family member or a neighbor. Each user can choose whether to receive alerts and notifications by email.

6.2 POOLCOP CONNECTION TO THE WEB

6.2.1 How to get Internet to PoolCOP

The DCCU is equipped with an RJ45 waterproof compression gland connector.

Bringing the network to the DCCU:

- Best is to have an Ethernet cable (mini Cat4) connecting the router to the DCCU by RJ45.
- If not possible, Powerline adaptors will allow to carry the Ethernet signal through the 220V power line from the router to the DCCU (one Powerline Adaptor at the router and the other adjacent to the DCCU):



Figure 64 - Power Line Adaptors

- Wi-Fi is a convenient solution to bring the signal to the DCCU but may require repeaters along the way to keep the signal strength. This also may require you get access to the WEP or other key code.
- On the DCCU side, Insert the RJ45 cable through the cable compression gland supplied as shown in the picture below.



Figure 65 - RJ45 Connector for Ethernet

- Check that access to internet is available at the cable end. You may need a laptop to check this.
- Connect the end of the RJ45 cable to the network so as to establish a connection via the internet box.
- Start PoolCOP (if it was stopped).

6.2.2 Check the Network Connection

- On PoolCOP screen, go to Menu/Configuration/Factory Settings/network and note the MAC address as shown below:

- MC:** MAC address, required to link the unit to and account on the PoolCopilot Server
- IP:** IP address of PoolCOP on the local network
- MSK:** Subnet mask
- DNS:** IP address of the Domain Name Server.
- GTW:** IP address of the gateway (router) on the local network
- SVR:** IP address of PoolCopilot.com server

NETWORK	
MC	: 02:11:40:00:0B:C9
IP	: 192.168.1.77
DNS	: 192.168.1.1
GTW	: 192.168.1.1
SVR	: 195.14.0.21
URL	: bridge.poolcop.net
SELECT QUIT	

6.3 SERVER CONNECTION AND POOL SETUP

This operation requires the use of a computer with an internet browser of your choice. It can be done from any location, though it is preferable to remain in close proximity to the PoolCOP should any communication issues arise.

6.3.1 Creating a User Account

- Connect to the site www.poolcopilot.com.
- On the home page, select **"Create New Account"**.

- Select the type of profile required:
 - **"Personal Account"** will allow you to manage only your own pool as a final customer.
 - **"Pro Account"** will allow you to manage your clients' pools.

- Complete all the information required in the form, in particular:
 - Supply a valid email address; this will be used to identify the client and to route email alerts.
 - Tick the boxes to agree to terms of use, and optionally **"I agree to received data from PoolCOP"** to receive newsletters.
 - Click on **"Submit"** to register and create your new account.

6.3.2 Adding your first Pool and PoolCopilot Module Automatically

- The setup wizard will now take you to a page to add the MAC address of the PoolCopilot module and create your new pool.
- Add your 12 number MAC address.
- Choose a **Pseudo**
- Click on **submit**.

YOU WILL BE REDIRECTED TO THE CONTROL PANEL VIEW OF YOUR NEW POOL.

Welcome to PoolCopilot! Your account has been created and you are now logged on. In order to use our Web App, you must have the MAC Address of the PoolCOP connected to the Internet to complete the following form.

Connect a PoolCOP to a Pool

6.3.3 Adding a Pool and PoolCopilot Module "Manually"

- Connect and logon to the site using the email address and password used to create the account.
- On the Home Page, select **"My Account"** at the top right of the page.
- Now select "My PoolCops", "connect a PoolCOP"



- Complete the form:
 - The Mac Address is the unique identification of the new PoolCOP. This code is written on the sticker located on the PoolCopilot Web RJ45 module inside the ABS Box.
 - The nickname allows easy identification of the PoolCOP.
 - If connecting to a new Pool, select **"Add a pool manually"** and complete Pool data.
 - If connecting to an existing pool, select the pool from the dropdown list.
- Click on **"Submit"**.

Connect a PoolCOP to a Pool

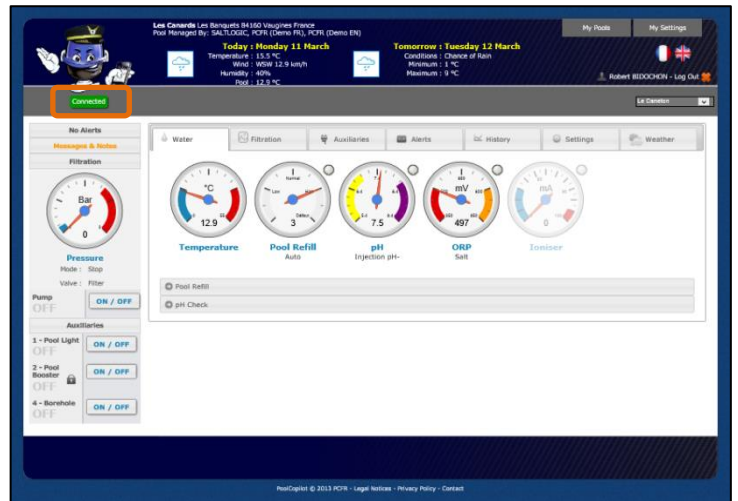
6.3.4 Your Preferences

To set preferences such as Language, Units and Formats, select **"My Preferences"**:

6.3.5 Access Pool or Pools

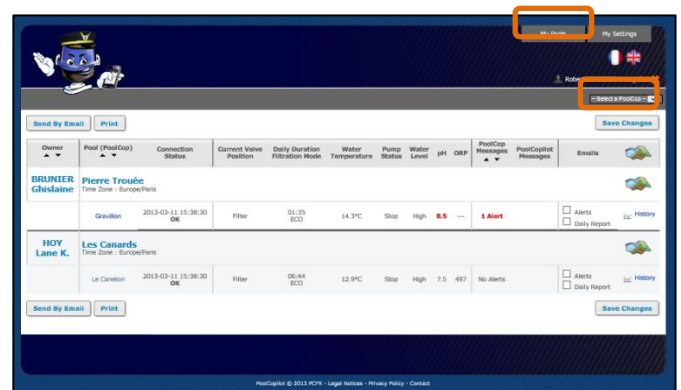
In the case where you are managing one swimming pool, you will be automatically directed to the Control Panel. after logging on.

The connection status between PoolCOP and the server can be viewed on the top left. This allows you to ascertain that data is up to date and valid.



Managing multiple pools you will be directed to the "My Pools" display after logging on; from here you can select the pool and PoolCOP required.

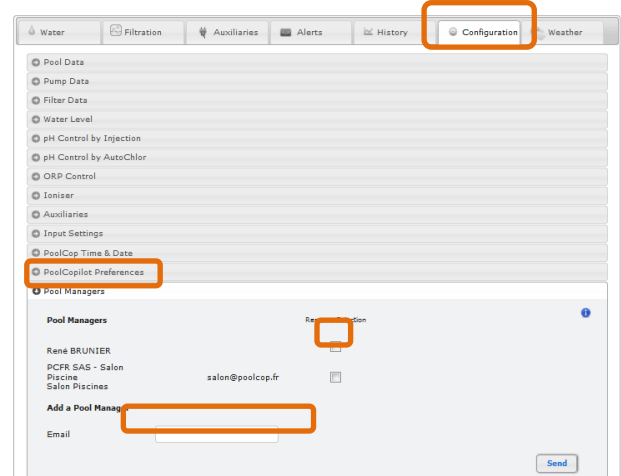
Quickly access a specific pool from the list of pools in your portfolio by selecting a specific pool by nickname from the drop-down list.



If you wish to give access to the pool to somebody else, go to "Configuration/Pool Managers" and type in the email address provided by the manager.

The pool manager must have or must create an account on www.PoolCopilot.com using the same email address to access the pool.

You can remove this access at any time simply by ticking the corresponding box. Your manager will then be notified he is no longer allowed to access the pool.



6.3.6 User Interface Options

There are two user interface options, allowing different levels of control of the pool.

Change between interfaces by clicking on the button (unless a pool manager has locked the user interface level).

6.3.6.1 EASY

The EASY interface allows basic control and visualization of pool data, as well as personal configuration.

6.3.6.2 EXPERT

The EXPERT interface allows full control of all functions and configuration.



6.4 POOLCOPILOT FUNCTIONS

All PoolCOP functions are possible from PoolCopilot. Additional functions are constantly made available as PoolCopilot evolves. These functions are made available via the web interface for all users. The list includes:

- Unlimited email alerts and notifications

- Geo-localization of the pool
- Backup and restoration of configurations
- History of all pool telemetry
- Etc.

Premium Functions add an extra level of functionality, and additional savings:

- Pool and other lighting linked to sunrise and sunset times.
- Delayed refill, to benefit from forecast rain.
- Etc.

6.5 TROUBLESHOOTING

6.5.1 Error Messages

"The MAC address is already in use": check the MAC address

"No PoolCop associated with the following address...": check the MAC address

"The MAC Address field is not a proper MAC address": check the MAC address

6.5.2 PoolCop will not connect to the server

- Check for proper connection in DCCU.
- Check for proper connection to the internet box.
- Disconnect the RJ45 cable from the DCCU, plug this cable on a laptop (turn Wi-Fi OFF on the laptop), and check that Internet access is available.
- If access is not available, check with router provider / IT service.
- Check IP address on Network menu. If IP is 0.0.0.0, no IP address has been affected to PoolCop, check if the DHCP mechanism is enable on the router and if there is no restriction to access Internet (restrictions on MAC addresses for example)
- Check SVR address on Network menu. If SVR is ---.---.---.---, the PoolCopilot server address was not resolved. Check if the DNS IP address is correct and enable on the router.

6.5.3 No data displayed

- Check that the connection button is green, showing that you are properly connected.

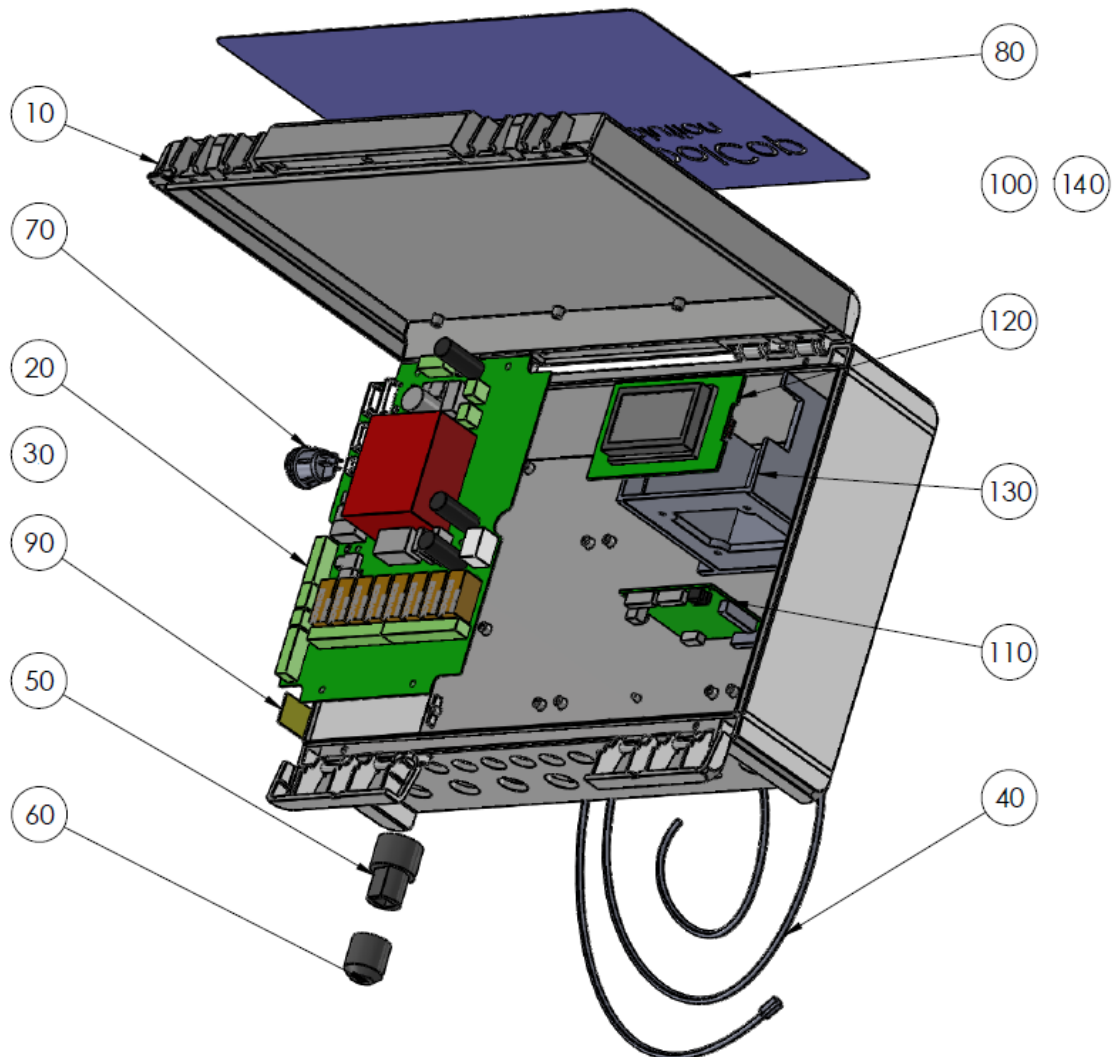
6.5.4 No graphs displayed in "History"

- Check your browser version is up to date.
- Check Flash Player is up to date, if required.

Section 7 SPARE PARTS AND DIAGRAMS

7.1 GN3100 DATA CONTROL CONNECTION UNIT DCCU GENESIS

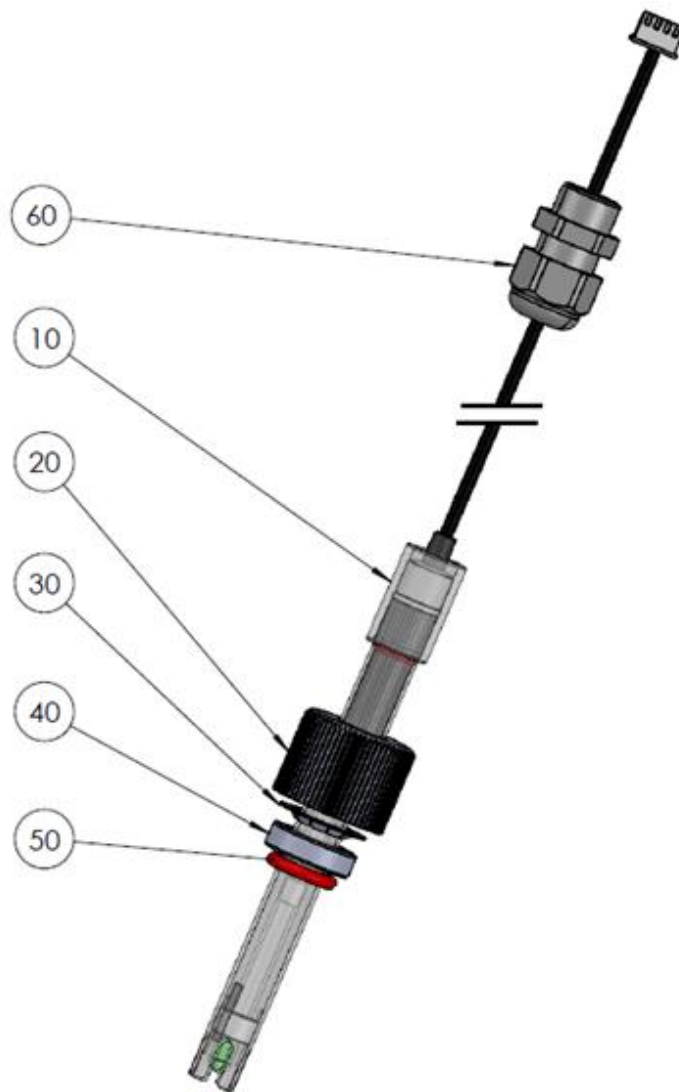
No	REF	PART	Qty
10	CF1141-F	Enclosure CCU Bocube B273612	1
20	CF1150	Kit PCB Power Supply PCB103	1
30	CF1100.04	Battery Cables (not shown)	1
40	CF1140.06	RJ45 Cable 1m	1
50	CF1140.02	Panel Mount Socket RJ45 IP68	1
60	CF1140.04	Cap RJ45 IP68	1
70	CF1114	Switch CCU	1
80	GN3101.02	Face Plate Decal and Keypad Genesis	1
90	SN007	Decal Serial Number CCU Genesis	1
100	GN3102.01	Datalink Cable Short (not shown)	1
110	CF1218.01	PCB Connection SE Data PCB005-C	1
120	CF1220.01	PCB Micro with LCD Screen PCB004-C	1
130	GN3105.02	Support Plate	1
140	GN3103.01	Connection Cable (not shown)	1



7.2 SO491X PH+ORP SE SENSOR KIT

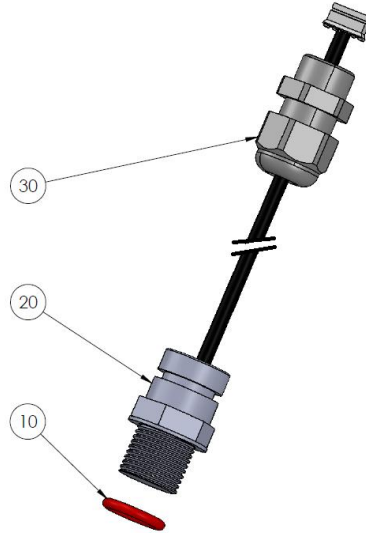
- SO4912: Sensor SE pH+ORP Platinum
- SO4913: Sensor SE pH+ORP Gold

No	REF	PART	Qty
10	SO491x	Sensor SE pH+ORPCable 4m	1
20	CF1213.04	Nut for pH+ORP Sensor	1
30	CF1213.02	Grip Washer for pH+ORP Sensor	1
40	CF1213.03	Double Compressor for pH+ORP Sensor	1
50	JT0002	O-Ring pH+ORP Sensor	1
60	AC6800.06	Compression Gland PG9	1



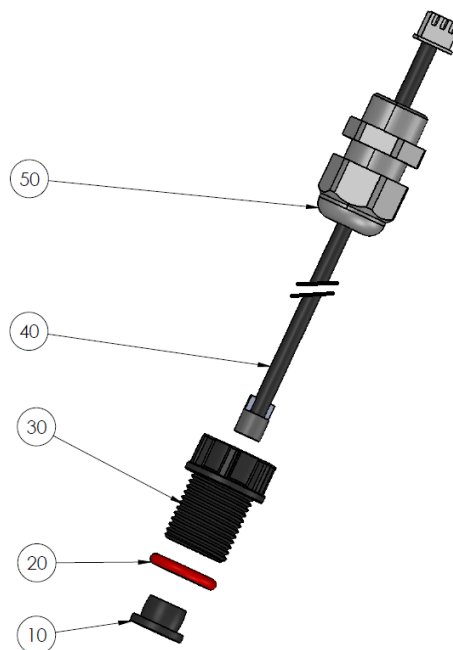
7.3 GN4224 KIT SENSOR PRESSURE 4M CABLE

No	REF	PART	Qty
10	JT0004	O-Ring Plug VDU	1
20	GN4224.03	Sensor Pressure 4m Cable	1
30	AC6800.06	Compression Gland PG9	1



7.4 GN4211 KIT WATER TEMPERATURE SENSOR 4M CABLE

No	REF	PART	Qty
10	CF1210.20	Plug Nylon Water Temperature Sensor	1
20	JT0004	O-Ring Plug VDU	1
30	CF1210.07	Plug VDU M17	1
40	GN4211.01	Water Temperature Sensor 4m Cable	1
50	AC6800.06	Compression Gland PG9	1



7.5 DECAL AND MARKINGS LOCATION DIAGRAMS

7.5.1 DCCU Decals and Markings

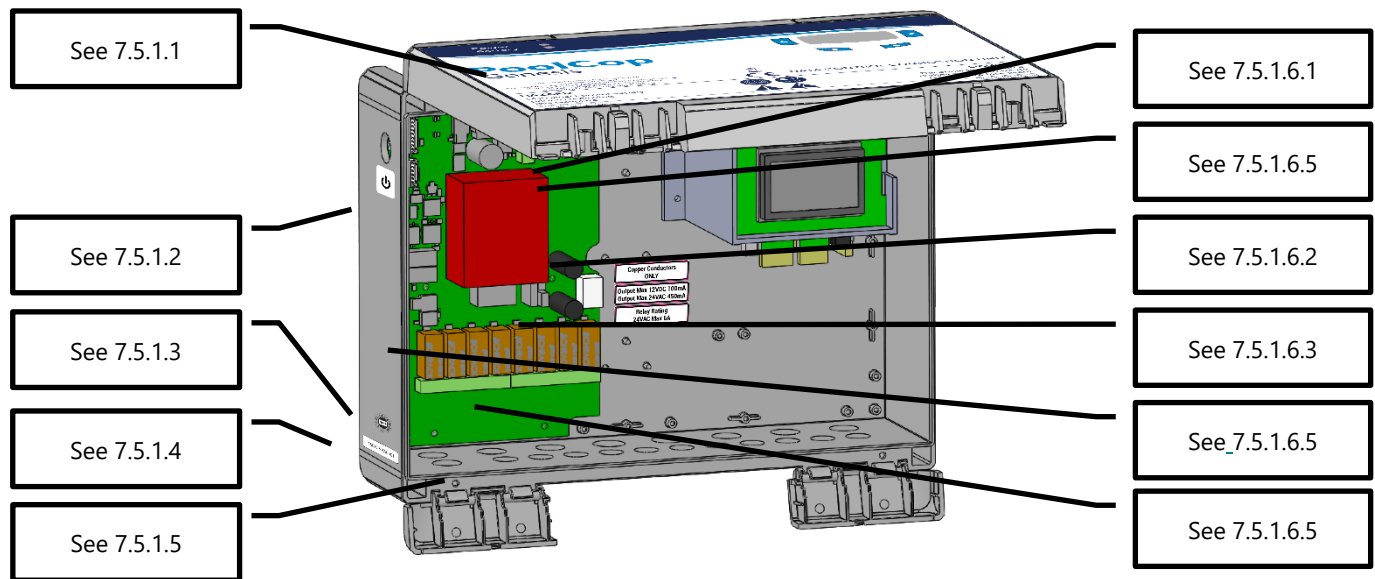


Figure 66 - DCCU Decals and Markings

7.5.1.1 DCCU Faceplate Decal

Affixed externally on the cover, and includes the following information:

1. Equipment name and model number.
2. Manufacturer's name and contact information (address, website, supplier).
3. Electrical requirements; volts, amps, and Hertz.
4. Maximum external load rated in volts and amps.
5. Standby Mode power consumption.
6. Caution statements and icons.
7. Replacement sensor model numbers.
8. Replacement fuse specifications.
9. IP rating.
10. NSF50 and NSF Electrical Marks.

7.5.1.2 Standby Decal

Affixed externally on the left side of the DCCU, below the switch button: standby icon

7.5.1.3 Date of Manufacture Decal

Affixed externally on the left side at the bottom centered above the DCCU Serial Number Decal: product date of manufacture.

7.5.1.4 Serial Number Decal

Affixed externally on the left side at the bottom, centered on the enclosure: product serial number.

7.5.1.5 Relay Rating Decal

Affixed internally: Relay Rating 24VAC Max 6A

7.5.1.6 Marked on the PCB

7.5.1.6.1 Fuse Rating Marking

Adjacent to the F3 fuse: BATT, 12VDC, 5x20mm cart. 2A Fast Blow, etc.

7.5.1.6.2 Supply and High Voltage Marking

Adjacent to the power cord connector: 115V 230V, L E N, triangular high voltage warning icon, etc.

7.5.1.6.3 Power Fuse Rating Marking

Adjacent to the F1 and F2 power supply fuses: 5x20mm cartridges 160mA Slow Blow (230VAC) 315mA Slow Blow (115VAC)

7.5.1.6.4 Relay Rating Marking

Adjacent to each output relay Max 6A.

7.5.1.6.5 Output Max

Marked on the PCB Power Supply adjacent to:

- J25: 12Vdc – 0.1A
- J26: 24Vac – 0.35A

7.5.1.6.6 Copper Conductors Only

Close to relay pluggable connector.

Section 8 TECHNICAL SPECIFICATIONS

8.1	CE conformity Declaration	124
8.2	UL/FCC conformity declaration.....	Erreur ! Signet non défini.
8.3	PoolCOP Genesis	126
8.4	Air Temperature Sensor	126
8.5	Flow Switch.....	126
8.6	pH+ORP Sensors.....	127
8.7	Free Available Chlorine Sensor	127
8.8	Water Level Control	127
8.9	XM8 Extension Module	127

8.1 CE CONFORMITY DECLARATION

The manufacturer declares that the equipment named above has been designed to comply with the relevant sections of the below referenced specifications. The unit complies with all applicable essential requirements of the Directives.

Manufacturer: PCFR SAS, La Remise, 130 boulevard du Nord, 84160 Cucuron (FRANCE)

Equipment: PoolCop

Model name: PoolCop Genesis

Directives	Titles	Harmonized Standards
2014/35/EU	Low Voltage Directive	EN 61010-1:2010+A1:2019 EN IEC 62368-1:2020+A11:2020
2014/30/EU	EMC Directive	EN 55032:2015/A11:2020 IEC 61000-3-2:2019 IEC 61000-3-3:2013/A1:2019 IEC 61000-4-2:2008 (EN 55035:2017/A11:2020) IEC 61000-4-3:2006+A1:2007+A2:2010 (EN 55035:2017/A11:2020) IEC 61000-4-4:2012 (EN 55035:2017/A11:2020) IEC 61000-4-5:2014 (EN 55035:2017/A11:2020) IEC 61000-4-6:2008 (EN 55035:2017/A11:2020) IEC 61000-4-8:2010 (EN 55035:2017/A11:2020) IEC 61000-4-11:2004 (EN 55035:2017/A11:2020)
2011/65/EU 2015/863/EU 2018/739/EU	Hazardous Substances (RoHS)	EN IEC 63000:2018

8.2 UKCA CONFORMITY

The manufacturer declares that the equipment named above has been designed to comply with the relevant sections of the below referenced specifications. The unit complies with all applicable essential requirements of the Directives.

Manufacturer: PCFR SAS, La Remise, 130 boulevard du Nord, 84160 Cucuron (FRANCE)

Equipment: PoolCop

Model name: PoolCop Genesis

Legislation	Title	Harmonized Standards
UK SI 2016 1101	Electrical Equipment (Safety) Regulations 2016	BS EN 61010-1:2010+A1:2019 BS EN 62368-1:2020+A11:2020
UK SI 2016 1091	Electromagnetic Compatibility Regulations 2016	BS EN 55032:2015/A11:2020 BS EN 61000-3-2:2014 BS EN 61000-3-3:2013 BS EN 55035:2017/A11:2020 BS EN 55035:2017/A11:2020 BS EN 55035:2017/A11:2020 BS EN 55035:2017/A11:2020 BS EN 55035:2017/A11:2020 BS EN 55035:2017/A11:2020 BS EN 55035:2017/A11:2020
UK SI 2012 3032	Restriction of the Uses of Certain Hazardous Substances 2012	BS EN IEC 63000:2018

8.3 UL/FCC CONFORMITY DECLARATION

The manufacturer declares that the equipment named above has been designed to comply with the relevant sections of the below referenced specifications. The unit complies with all applicable essential requirements of the Directives.

Manufacturer: PCFR SAS, La Remise, 130 boulevard du Nord, 84160 Cucuron (FRANCE)

Equipment: PoolCop

Model name: PoolCop Genesis

Norms	Titles	Sections
FCC part 15B	Conducted emissions : AC: 150kHz – 30MHz Radiated emissions: 30 MHz – 1 GHz	FCC §15.107 FCC §15.109
UL1081	Swimming pool pumps, filters and chlorinators	
UL1563	Safety Electric Spas, Equipment Assemblies, and Associated Equipment	

This device complies with part 15 of the FCC Rules. Operation is subject to the following two conditions:

- (1) This device may not cause harmful interference, and
- (2) This device must accept any interference received, including interference that may cause undesired operation.

NOTE: The grantee is not responsible for any changes or modifications not expressly approved by the party responsible for compliance. Such modifications could void the user's authority to operate the equipment.

This equipment has been tested and found to comply with the limits for a class B digital device, pursuant to part 15 of the FCC Rules. These limits are designed to provide reasonable protection against harmful interference in a residential installation. This equipment generates, uses and can radiate radio frequency energy and if not installed and used in accordance with the instructions, may cause harmful interference to radio communications. However, there is no guarantee that interference will not occur in a particular installation. If this equipment does cause harmful interference to radio or television reception, which can be determined by turning the equipment off and on, the user is encouraged to try to correct the interference by one or more of the following measures:

- Reorient or relocate the receiving antenna.
- Increase the separation between the equipment and receiver.
- Connect the equipment into an outlet on a circuit different from that to which the receiver is connected.
- Consult the dealer or an experienced radio/TV technician for help.

Caution to the user that changes or modifications not expressly approved by the party responsible for compliance could void the user's authority to operate the equipment.

8.4 POOLCOP GENESIS

Components	
Data Control Connection Unit (DCCU)	1
pH Sensor Housing	Supplied
Installer and User Guide	1
Technical Specifications	
DCCU Dimensions	375x120x285 mm [14.8x4.8x11 in] - 4.3 Kg [9.5 lbs]
Power Supply	230Vac, 50Hz
Power supply fluctuations	+/- 10%
Overvoltage category	II
Pollution degree	2
Usage	Indoor
Service Temperature	-5°C - 45°C [23°F - 113°F]
Altitude	2000m
Relative humidity	80% up to 31°C, linear decrease down to 50% at 45°C
Wet Location	The product has an enclosure that protected against splashing water, can be used in such wet location
Current (Secondary)	160mA
1 x Pump + 7 Auxiliaries	2A
Communications Port	6A
Temperature Sensor	RS 232
pH Sensor	0 - 60°C [32°F - 140°F]
ORP Sensors	6.2 - 8.2
Pressure	0 - 999mv
Safety Features:	No water; low pressure; high pressure; lightning protection
Data Control Connection Unit Protection	IP54

8.5 AIR TEMPERATURE SENSOR

Components	
Air Temperature Sensor with cable.	1
Technical Specifications	
Cable	4.5 m [48 ft]
Temperature Range (Accuracy)	-30°C to 65°C ($\Delta T = \pm 2^\circ\text{C}$) [-22°F to 149°F] ($\Delta T = \pm 3.5^\circ\text{F}$)

8.6 FLOW SWITCH

Components		
Flow Switch Sensor with cable.	1	
Technical Specifications		
Cable	4 m [6.6 ft]	
Temperature Range	5°C to 50°C [41°F to 122°F]	
Service Pressure	10 Bars [145 psi]	
Protection	IP65	
Pipe size	1.5"	2.0"
Flow sensing ON	Approx. 3 m ³ /h [11 gpm]	Approx. 4 m ³ /h [14.5 gpm]
Flow sensing OFF	Approx. 1 m ³ /h [3.6 gpm]	Approx. 1.5 m ³ /h [5.5 gpm]

8.7 PH+ORP SENSORS

Components	SO4912	SO4913
pH+ORP sensor	1	1
Transport Cap		1
-Retaining Cap		1
Grip Washer		1
Compression Ring		1
O-Ring		1
Technical Specifications		
Dimensions	Diameter 12 mm [0.47 in] – Length 14 cm [5.5 in]	
Cable	4 strands, 4 m [13 ft]	
Connector	JST XHP-4	
pH Range (Accuracy)	4 to 12 (+/- 0.05)	
ORP Sensor Type	Platinum Pt	Gold Au
ORP Range (Accuracy)	0 to 999 mV (+/- 5mV)	

8.8 FREE AVAILABLE CHLORINE SENSOR

See the **Free Available Chlorine Sensor Installer and User Manual** for information and guidance.

8.9 WATER LEVEL CONTROL

Components	Waterline Kit	Buffer Tank Kit
Water level sensor/s	1 sensor	4 sensors
Solenoid valve		1
PVC saddles 50mm		1
PVC saddles 63mm		1
90° PVC connector (20mm to 20mm)		1
Straight PVC connector 20mm		2
Non-return valve, brass		1
Stop valve 15mm		1
Reducing connector (20mm to 15mm)		1
Technical Specifications		
Output Sensor	5VDC	
Output valve	24 VAC	
Service pressure	3.5 Bars [50.7 psi]	
Cable length	20 m [65.6 ft]	6m [19.7 ft]
Height	70mm [2.76 in]	40mm [1.58 in]
Width	45mm [1.77 in]	25mm [0.98 in]
Deep	15mm [0.59 in]	25mm [0.98 in]

8.10 XM8 EXTENSION MODULE

Components	PoolCOP XM8
XM8	1
Technical Specifications	
Dimensions	140x98x195 mm [55.1x38.6x76.8 in] - 0.8 Kg [1.76 lbs]
Power Supply	12V - 300mA
Auxiliary channel 9 to 15	6A - 24VAC
Inputs 3 to 10	5 VDC
Protection	IP54
Conformity	CE



PCFR SAS
130 Boulevard du Nord
84160 CUCURON, France